

# PUI AUDIO Audio Transducers and Elements



RoHS Compliant This product is RoHS compliant.

## ELECTROMECHANICAL AUDIO TRANSDUCERS

### Features:

- Lower resonant frequency
- Available in multiple mounting types
- Smaller in size
- Multiple tones at multiple frequencies

### Applications:

- Appliances and white goods
- POS and Barcode Scanners
- Medical Equipment
- Hand held devices
- Test Equipment

For quantities greater than listed, call for quote.

MOUSER STOCK NO.	PUI Part No.	Fig.	Resonant Frequency	Rated Voltage	Current Cons. (Max.)	SPL Min. (10cm) (dB)	Dimensions: mm	Price Each			
								1	25	50	100
<b>SMT Mount Type</b>											
665-SMT-0823-S-R	SMT-0823-S-R	A	2300	5	70	87dB	4 x 8.5 x 8.5	3.02	2.79	2.42	2.11
665-SMT-0927-S4R	SMT-0927-S-4-R	B	2700	3.6	100	85dB	4 x 9 x 9	3.64	3.37	2.91	2.51
665-SMT0927-S5-R	SMT-0927-S-5-R	B	2700	5	80	85dB	4 x 9 x 9	4.00	3.64	3.19	2.73
665-SMT1028-SR	SMT-1028-S-R	C	2800	3.6	100	93dB	3.5 x 10 10	2.88	2.62	2.29	1.94
665-SMT1028TR	SMT-1028-T-R	D	2800	3.6	100	90dB	3.5 x 10 11	2.62	2.42	2.10	1.83
665-SMT1324TW5V-R	SMT-1324-TW-5V-R	E	2400	5	40	85dB	6.5 x 12.5 x 12.5	3.52	3.42	3.20	2.56
665-SMT-1427-S-R	SMT-1427-S-R	-	2700	5	80	85dB	3.4 x 14.2 x 11	4.73	3.61	3.38	3.11
665-SMT1427TR	SMT-1427-T-R	-	2700	5	80	85dB	3.4 x 14.2 x 11	3.94	3.45	2.96	2.57
665-SMT0824SW3VR	SMT-0824-SW-3V-R	F	2400	3	60	80dB	5.5 x 8.5 x 8.5	3.53	3.17	2.82	2.68
665-SMT0824SW5VR	SMT-0824-SW-5V-R	F	2400	3	80	80dB	5.5 x 8.5 x 8.6	3.53	3.17	2.82	2.68
665-SMT0827SW3VR	SMT-0827-SW-3V-R	F	2700	5	60	85dB	5.5 x 8.5 x 8.7	3.53	3.17	2.82	2.68
665-SMT0827SW5VR	SMT-0827-SW-5V-R	F	2700	5	80	85dB	5.5 x 8.5 x 8.8	3.53	3.17	2.82	2.68
<b>PCB Mount Type</b>											
665-AT-1620-TWTR	AT-1620-TWT-R	G	2000	6	40	85dB	14 x 16 x 16	1.43	1.30	1.14	1.03
665-AT-1620TW12VR	AT-1620-TWT-12VR	G	2000	12	40	85dB	14 x 16 x 16	1.73	1.54	1.46	1.00
665-AT1031TTR	AT-1031-TT-R	G	3100	1.5	80	85dB	6.5 x 9.6 x 9.6	5.50	4.95	4.40	4.18
665-AT-1220TTR	AT-1220-TT-R	H	2000	1.5	10	85dB	8.5 x 12 x 12	.97	.851	.78	.597
665-AT-1224TWTR	AT-1224-TWT-R	I	2400	5	40	85dB	9 x 12 x 12	1.17	1.04	.99	.796
665-AT-1220-TT-5R	AT-1220-TT-5-R	H	2000	1.5	10	73dB	5.5 x 12 x 12	.73	.66	.58	.55
665-AT1228TTR	AT-1228-TT-R	I	2800	1.5	40	85dB	10 x 12 x 12	1.24	1.15	.99	.796

## PIEZO AUDIO TRANSDUCERS

### Features:

- Low resonant frequency
- Available in multiple mounting types
- Low power consumption
- Multiple tones at multiple frequencies
- High reliability

### Applications:

- Appliances and white goods
- POS and Barcode Scanners
- Medical Equipment
- Hand held devices
- Test Equipment

For quantities greater than listed, call for quote.

MOUSER STOCK NO.	PUI Part No.	Fig.	Resonant Frequency	Rated Voltage	Current Cons. (Max.)	SPL Min. (10cm) (dB)	Dimensions: mm	Price Each			
								1	25	50	100
<b>SMT Mount Type</b>											
665-SMT1341TR	SMT-1341-T-R	J	4100	5	5	75dB	2.5 x 12.8 x 12.8	3.13	2.89	2.69	1.96
665-SMT1640SR	SMT-1640-S-R	J	4000	5	3	70dB	2.5 x 16 x 16	1.80	1.64	1.44	1.22
665-SMT2225TR	SMT-2225-T-R	-	2500	10	8	80dB	5.6 x 22 x 22	2.53	2.27	2.02	1.92
665-SMT2240TWR	SMT-2240-TW-R	-	4000	10	3	90dB	7 x 22.5 x 22.5	2.53	2.27	2.02	1.92
<b>PCB Mount Type</b>											
665-AT-1438TWTR	AT-1438-TWT-R	I	3800	5	1	80dB	6.8 X 13.8x 13.8	1.88	1.86	1.62	1.18
665-AT-1740-TT-3-R	AT-1740-TT-3-R	K	4000	3	1	78dB	6.7 x 16.5 x 16.5	1.64	1.51	1.34	1.00
665-AT1740TTR	AT-1740-TT-R	K	4000	5	3	78dB	7 x 16.8 x 16.8	1.58	1.42	1.26	1.10
665-AT2336TWTR	AT-2336-TWT-R	L	3600	12	8	90dB	6 x 22.5 x 22.5	2.20	1.98	1.76	1.67
665-AT2428TWTR	AT-2428-TWT-R	M	3000	12	8	92dB	12.2 x 24 x 24	1.94	1.76	1.54	1.30
665-AT-2440TWTR	AT-2440-TWT-R	K	4000	3	1	80dB	7.5 x 24 x 24	1.33	1.18	1.12	.98
665-AT2460TWTR	AT-2460-TWT-R	K	6000	10	8	85dB	4.5 x 24 x 24	1.87	1.70	1.49	.975
665-AT2720TTR	AT-2720-TT-R	L	2000	10	3.5	88dB	9 x 26.5 x 23	1.50	1.40	1.28	1.20
665-AT-2830-TWT-R	AT-2830-TWT-R	L	3000	12	8	93dB	12.7 x 28.5 x 28.5	1.71	1.52	1.44	1.27
665-AT3425TWTR	AT-3425-TWT-R	L	2500	12	7	85dB	11.5 x 33.6 x 33.6	3.56	3.24	2.84	2.40
665-AT-4228-TWT-F-R	AT-4228-TWT-F-R	M	2800	12	7	92dB	14 x 42 x 42	2.11	1.92	1.68	1.58
<b>Flush and Flange Mount Type</b>											
665-AT1750TFLW95R	AT-1750-TFL-LW95-R	N	5000	10	9	80dB	4 x 16.5 x 16.5	1.10	1.00	.88	.72
665-AT2460TFLW100R	AT-2460-TF-LW100-R	O	6000	10	8	88dB	4 x 34 x 24	1.76	1.50	1.31	.96
665-AT3045TFLW110R	AT-3045-TF-LW110-R	P	4500	10	11	97dB	5.1 x 44.5 x 30	1.60	1.44	1.28	1.15
665-AT3237TFLW140-R	AT-3237-TF-LW140-R	Q	3700	12	7	98dB	13.5 x 44 x 32	1.80	1.64	1.44	1.22
665-AT4230TFLW135R	AT-4230-TF-LW135-R	Q	3000	10	9	96dB	16 x 60 x 41.8	3.48	3.13	2.35	2.23

## PIEZO CERAMIC BENDERS (ELEMENTS)

### Features:

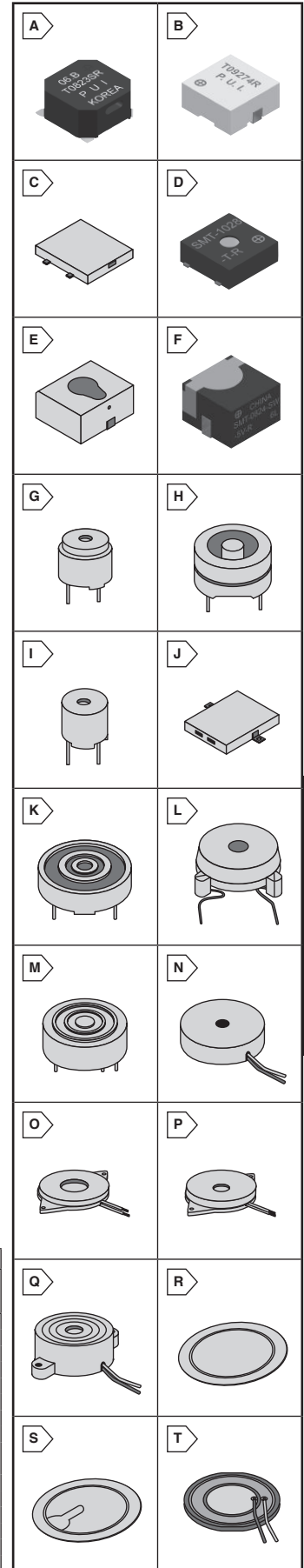
- Low cost option
- Available in brass, stainless steel and nickel alloy
- Low power consumption
- Can also be used as a switch
- High reliability

### Applications:

- Appliances and white goods
- Test Equipment
- Medical Equipment
- POS and Barcode Scanners

For quantities greater than listed, call for quote.

MOUSER STOCK NO.	PUI Part No.	Fig.	Feed-back	Resonance (Hz)	Input Voltage	Electro-static Capacitance	Dimensions: mm			Price Each			
							Ceramic Diameter	Total Thickness	Bender Thickness	1	25	50	100
665-AB1070B	AB1070B	R	No	7000	15	10000	7.4	.12	.05	.83	.74	.66	.63
665-AB1290B	AB1290B	R	No	9000	30	8000	9.0	.21	.10	.83	.74	.66	.63
665-KBI-1541	AB1541	R	No	4100	15	8000	8.4	.20	.10	.96	.83	.72	.61
665-AB2025B	AB2025B	R	No	2500	30	80000	15.0	.10	.05	.83	.74	.66	.63
665-KBI-2036F	AB2036AF	S	Yes	3700	30	20000	15.0	.21	.10	.86	.78	.68	.57
665-AB2040B	AB2040B	R	No	4000	30	25000	15.0	.28	.15	.87	.70	.665	.63
665-AB2065B	AB2065B	R	No	6500	30	14000	15.0	.42	.20	.90	.81	.65	.47
665-AB2072S	AB2072S	R	No	7200	30	10000	14.0	.43	.20	.84	.64	.60	.56
665-AB2720B	AB2720B	R	No	2000	30	45000	20.0	.23	.10	.87	.82	.77	.70
665-KBI-2734	AB2734B	R	No	3400	30	13000	14.6	.53	.30	.87	.83	.72	.61
665-AB2745BF	AB2745BF	S	Yes	4500	20	16000	20.0	.51	.25	.75	.68	.60	.50
665-AB2746B	AB2746B	R	No	4600	20	16000	20.0	.50	.25	.96	.825	.75	.66
665-KBI-3526	AB3526B	R	No	2600	30	30000	25.0	.53	.25	1.21	1.10	.96	.76
665-KBI-3529F	AB3529BF	S	Yes	2900	30	25000	25.0	.58	.30	1.25	1.14	1.00	.84
665-AB4113B	AB4113B	R	No	1300	30	150000	32.0	.40	.10	1.38	1.24	1.10	1.05
665-APS4812B-LW100-R	APS4812B-LW100-R	T	No	1200	30	65000	44.0	2.20	2.20	2.47	1.88	1.76	1.63



Projects Unlimited Audio