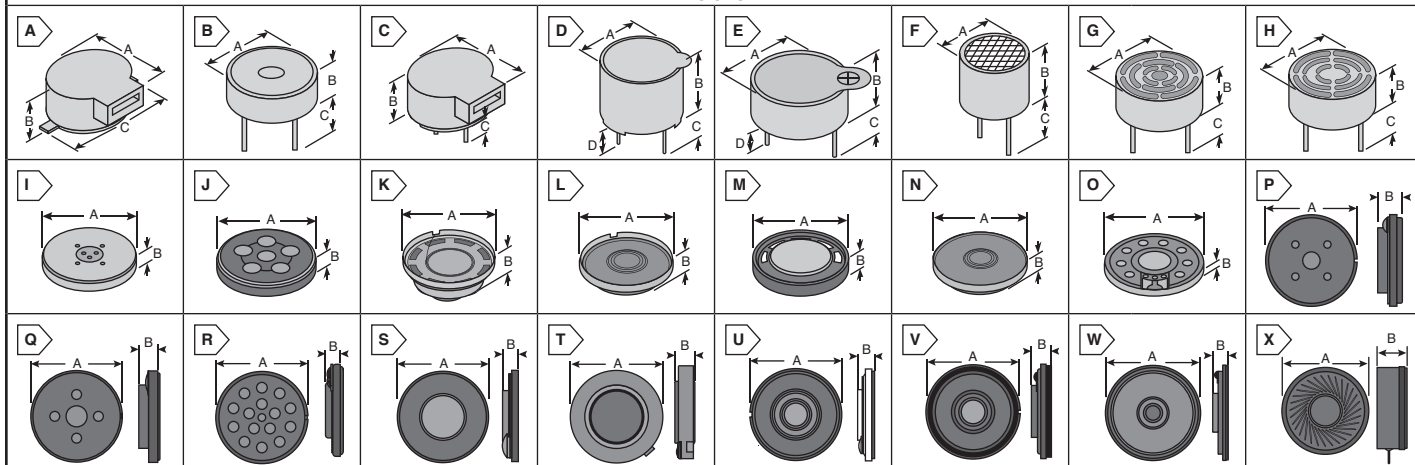


KOBITONE Transducers and Speakers

RoHS Compliant This product is RoHS compliant.

DIMENSIONS: mm



MAGNETIC TRANSDUCERS

MOUSER STOCK NO.	Fig.	Resonant Frequency (Hz)	Rated Voltage	Current Consumption (mA)	Sound Pressure Level (dB)	Terminal Type	Dimensions: mm				Price Each			
							A	B	C	D	1	25	50	100
254-MB553-RO	A	2730	5VDC	80	85	SMD	10.6	4.0	12.5	---	2.96	2.47	2.29	2.03
254-MB555-ROX	B	2730	3VDC	80	85	Pin	ø9.0	4.0	---	---	2.29	1.90	1.73	1.57
254-MB556-RO	C	2700	1.5VDC	80	85	Pin	10.6	4.0	4.5	---	2.61	2.18	1.98	1.80
254-MB557-RO	D	2400	12VDC	40	85	Pin	ø12.0	9.0	5.5	4.0	1.04	.873	.789	.715
254-MB563-RO	D	2048	5VDC	50	82	Pin	ø12.0	9.0	5.5	4.0	.99	.83	.75	.68
254-MB561-RO	E	2300	5VDC	30	83	Pin	ø12.0	7.5	5.5	4.0	1.37	1.15	1.04	.943

ULTRASONIC TRANSDUCERS

MOUSER STOCK NO.	Fig.	Description	SPL Min. (dB)	Sensitivity Min. (dB)	Center Frequency (kHz)	Bandwidth (kHz)	Max. Input Voltage	Dimensions: mm			Price Each			
								A	B	C	1	25	50	100
255-400PT160-ROX	F	Transceiver	117	-65	40 ± 1.0	2	20	ø16.2	12.2	10.0	6.27	5.70	5.18	4.71
255-400SR12M-ROX	F	Receiver	---	-67	40 ± 1.0	2	20	ø12.8	8.9	10.0	5.24	4.76	4.32	3.93
255-400ST12M-ROX	F	Transmitter	115	---	40 ± 1.0	2	20	ø12.8	8.9	10.0	5.24	4.76	4.32	3.93
255-400SR16-ROX	F	Receiver	---	-65	40 ± 1.0	2.5	20	ø16.2	11.9	10.0	4.89	4.45	4.05	3.68
255-400ST16-ROX	F	Transmitter	119	---	40 ± 1.0	2	20	ø16.2	11.9	10.0	4.89	4.45	4.05	3.68
255-250ST16P-ROX	G	Transmitter	112	---	25 ± 1.0	2	20	ø15.7	12.0	10.0	5.62	5.11	4.64	4.22
255-250SR16P-ROX	G	Receiver	---	-62	25 ± 1.0	2	20	ø15.7	12.0	10.0	5.62	5.11	4.64	4.22
255-328ST16M-ROX	F	Transmitter	115	---	32.8 ± 1.0	2.5	20	ø16.2	9.6	10.0	5.21	4.73	4.31	3.91
255-328SR16M-ROX	F	Receiver	---	-67	32.8 ± 1.0	2.5	20	ø16.2	9.6	10.0	5.21	4.73	4.31	3.91
255-400ST10P-ROX	H	Transmitter	115	---	40 ± 1.0	2.5	10	ø10.0	7.2	9.4	5.21	4.73	4.31	3.91
255-400SR10P-ROX	H	Receiver	---	-65	40 ± 1.0	3	10	ø10.0	7.2	9.4	5.21	4.73	4.31	3.91
255-400ST12P-ROX	G	Transmitter	115	---	40 ± 1.0	2	15	ø12.8	9.1	10.0	4.94	4.49	4.08	3.71
255-400SR12P-ROX	G	Receiver	---	-67	40 ± 1.0	2	15	ø12.8	9.1	10.0	4.94	4.49	4.08	3.71

MYLAR SPEAKERS

MOUSER STOCK NO.	Fig.	Impedance (Ω)	Power Rating (mW) Normal	Power Rating (mW) Max.	Frequency Range (Hz)	Sound Pressure Level (dB)	Dimensions: mm			Price Each			
							A	B	C	1	25	50	100
254-PS600-RO	I	8Ω	300	500	1000 - 20000	83	ø12.0	2.4	2.02	1.69	1.54	1.40	
254-PS601-RO	J	8Ω	200	300	700 - 7000	85	ø15.0	3.5	2.18	1.82	1.69	1.50	
254-PS602-RO	K	32Ω	30	50	400 - 20000	102	ø15.0	3.5	1.28	.989	.939	.888	
254-PS603-RO	L	8Ω	200	400	400 - 6500	75	ø20.0	3.0	2.02	1.69	1.54	1.40	
254-PS604-RO	M	32Ω	200	500	360 - 2800	80	ø27.0	5.1	2.32	1.94	1.75	1.60	
254-PS605-RO	N	8Ω	100	200	350 - 6800	76	ø30.0	3.5	2.41	2.01	1.83	1.66	
254-PS606-RO	N	25Ω	200	500	320 - 7200	83	ø36.0	4.8	2.02	1.69	1.54	1.40	
254-PS607-RO	N	8Ω	500	1000	350 - 6200	84	ø40.0	5.0	2.21	1.85	1.71	1.52	
254-PS608-RO	O	8Ω	200	500	350 - 11000	82	ø40.0	4.2	2.29	1.90	1.73	1.57	
254-PS609-RO	O	8Ω	250	500	350 - 8500	85	ø50.0	5.0	2.61	2.18	1.98	1.80	
254-PS610-RO	O	8Ω	500	1000	350 - 13000	88	ø57.0	8.4	2.56	2.13	1.94	1.76	

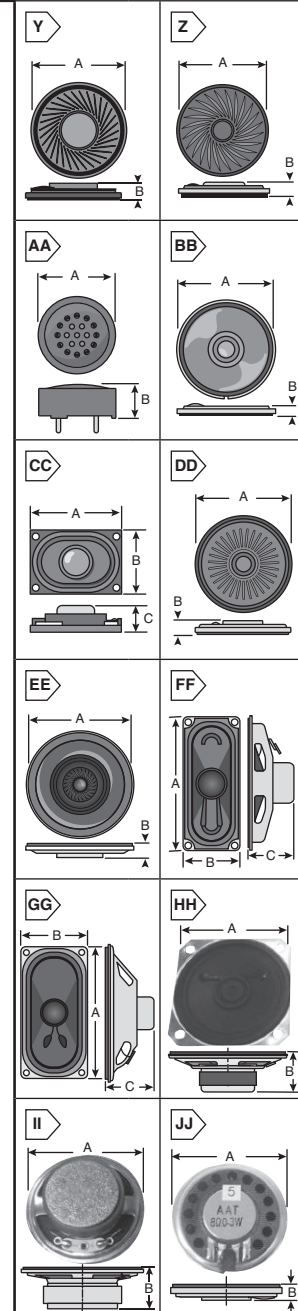
DYNAMIC SPEAKERS

Applications:

- Digital Cameras
- Media Players
- PCs
- Communications Devices
- LCD Displays



MOUSER STOCK NO.	Fig.	Impedance (Ω)	Rated Power (W)	Frequency Response (Hz)	Magnet Type	Dimensions (mm) A x B x C	Price Each			
							1	25	50	100
254-DS108-RO	P	8	0.15	1200-6K	Nd-Fe-B	ø10 x 2.7	2.62	2.26	2.05	1.71
254-DS136-RO	Q	16	0.5	1000-20K	Nd-Fe-B	ø13 x 3.0	2.62	2.26	2.05	1.71
254-DS152-RO	R	32	0.5	920-20K	Nd-Fe-B	ø15 x 2.9	2.94	2.26	2.05	1.86
254-DS1886-RO	S	8	1.0	1000-5K	Nd-Fe-B	ø18 x 3.2	2.94	2.26	2.05	1.86
254-DS1808-RO	T	8	0.5	850-20K	Nd-Fe-B	ø18 x 4.3	2.94	2.26	2.05	1.86
254-DS206-RO	U	16	0.25	1000-10K	Nd-Fe-B	ø20 x 3.8	2.94	2.26	2.05	1.86
254-DS202-RO	V	32	0.5	870-7.5K	Ferrite	ø20 x 4.1	2.94	2.26	2.05	1.86
254-DS238-RO	W	8	1.0	820-5K	Ferrite	ø23 x 4	2.25	2.07	1.88	1.60
254-DS268-RO	X	8	0.5	550-20K	Nd-Fe-B	ø25.6 x 9.2	2.55	1.96	1.78	1.62
254-DS2686-RO	Y	8	1.0	800-20K	Nd-Fe-B	ø26 x 4.5	2.25	2.07	1.88	1.60
254-DS288-RO	Z	8	0.5	500-10K	Nd-Fe-B	ø28 x 5.0	5.83	4.48	4.07	3.70
254-DS308-RO	AA	8	0.15	1300-5K	Nd-Fe-B	ø29.2 x 11.8	1.78	1.37	1.24	1.13
254-DS368-RO	BB	8	1.0	550-6K	Nd-Fe-B	ø36 x 4.6	2.72	2.09	1.90	1.73
254-DS4028-RO	CC	8	2.0	530-16.5K	Nd-Fe-B	40 x 28.3 x 11.5	3.81	2.93	2.66	2.42
254-DS4020-RO	CC	8	2.0	400-2.2K	Nd-Fe-B	40 x 20 x 5.8	2.92	2.24	2.04	1.85
254-DS408-RO	DD	8	1.0	600-6K	Nd-Fe-B	ø40 x 5.1	2.76	2.12	1.93	1.75
254-DS458-RO	EE	8	1.0	500-6K	Nd-Fe-B	ø45 x 5.3	3.12	2.40	2.18	1.98
254-DS708-RO	FF	8	2.0	300-20K	Nd-Fe-B	70 x 30 x 23.0	3.58	2.81	2.63	2.50
254-DS718-RO	GG	8	4.0	380-20K	Nd-Fe-B	71 x 41 x 25.0	3.94	3.03	2.75	2.50
254-DS5053-RO	HH	8	0.2	550-4.5K	Ferrite	ø50 x 16.5	5.69	4.38	3.98	3.69
254-DS5084-RO	II	8	0.25	450-4.5K	Ferrite	ø50 x 16.9	3.81	2.93	2.66	2.42
254-DS2812-RO	JJ	8	0.3	600-20K	Nd-Fe-B	ø28 x 3.9	3.10	2.58	2.34	2.13



Kobitone Audio