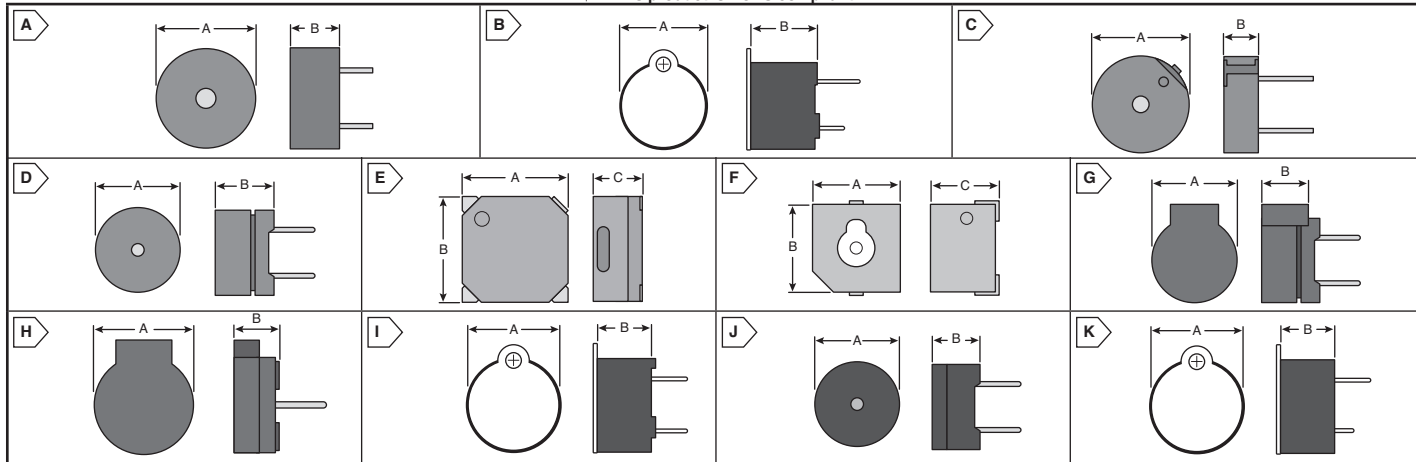


# KOBITONE Buzzers



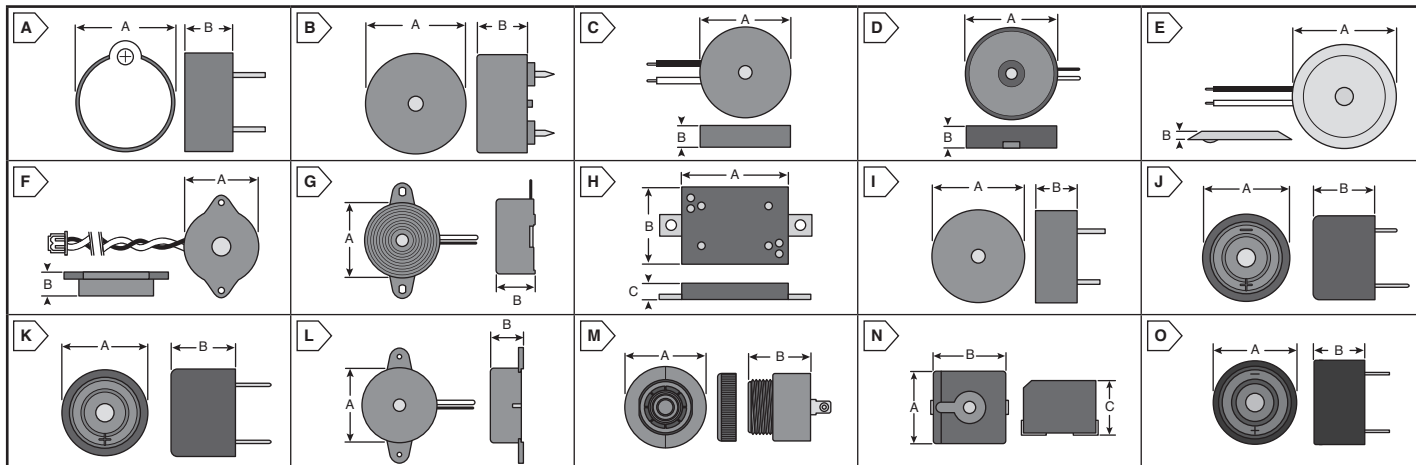
RoHS Compliant This product is RoHS compliant.



## MAGNETIC BUZZERS

For quantities greater than listed, call for quote.

MOUSER STOCK NO.	Fig.	Resonant Frequency (Hz)	Rated Voltage	Current Typical (mA)	Sound Pressure Level (dB)	Terminal Type	Dimensions (mm) A x B x C	Price Each			
								1	25	50	100
<b>External Drive</b>											
254-EMB73-RO	A	3100	3 Vo-p	100	70	Pin	ø6.7 x 3.6 x ---	1.53	1.18	1.07	.97
254-EMB15-RO	B	2400	5 Vo-p	50	85	Pin	ø12 x 10 x ---	.52	.40	.36	.33
254-EMB145-RO	C	2000	5 Vo-p	50	85	Pin	ø14 x 5.0 x ---	1.29	.99	.90	.82
254-EMB121-RO	D	2048	1.5 Vo-p	35	85	Pin	ø12 x 8.5 x ---	.69	.53	.48	.44
254-EMB84X-RO	E	2730	5 Vo-p	100	87	SMD	8.5 x 8.5 x 4.0	2.08	1.60	1.45	1.32
254-EMB84Q-RO	E	2730	3.6 Vo-p	100	87	SMD	8.5 x 8.5 x 3.0	2.17	1.67	1.52	1.38
254-EMB135-RO	F	2400	5 Vo-p	30	88	SMD	12.8 x 12.8 x 6.5	3.23	2.49	2.26	2.05
254-EMB132-RO	F	2400	12 Vo-p	30	90	SMD	12.8 x 12.8 x 10	2.80	2.15	1.96	1.78
254-EMB140-RO	G	2048	3.5 Vo-p	35	85	Pin	ø12 x 8.5 x ---	.61	.47	.43	.39
254-EMB93-RO	H	2731	3 Vo-p	80	85	Pin	ø9.0 x 4.0 x ---	.84	.654	.597	.539
254-EMB120-RO	I	2800	1.5 Vo-p	40	85	Pin	ø12 x 10 x ---	.60	.46	.42	.38
254-EMB1212-RO	I	2400	12 Vo-p	80	85	Pin	ø12 x 10 x ---	.69	.53	.48	.44
254-EMB1005-RO	J	3100	5 Vo-p	60	85	Pin	ø9.6 x 7 x ---	1.00	.77	.70	.64
<b>Self Drive</b>											
254-EMB125-RO	B	2300	5 Vo-p	35	85	Pin	ø12 x 9.5 x ---	1.24	.95	.86	.78
254-EMB122-RO	B	2300	12 VDC	35	85	Pin	ø12 x 9.5 x ---	1.13	.87	.79	.72
254-EMB105-RO	K	2500	5 Vo-p	25	80	Pin	ø9.6 x 5.0 x ---	1.36	1.05	.96	.87
254-EMB1205-RO	K	2300	5 VDC	30	83	Pin	ø12 x 7.5 x ---	1.61	1.23	1.12	1.01



## PIEZOELECTRIC BUZZERS

For quantities greater than listed, call for quote.

MOUSER STOCK NO.	Fig.	Resonant Frequency (Hz)	Rated Voltage	Current Typical (mA)	Sound Pressure Level (dB)	Terminal Type	Dimensions (mm) A x B x C	Price Each			
								1	25	50	100
<b>External Drive</b>											
254-PB140-ROX	A	4000	5 Vp-p	5	80	Pin	ø13.8 x 6.8 x ---	.86	.66	.60	.55
254-PB170-ROX	B	2000	3 Vp-p	5	70	Pin	ø17 x 8.6 x ---	1.13	.87	.79	.72
254-PB102-ROX	C	3200	10 Vp-p	5	80	Wire	ø10 x 3.2 x ---	1.24	.95	.86	.78
254-PB160-ROX	D	4000	7 Vp-p	7	80	Wire	ø16.5 x 4.0 x ---	.75	.58	.53	.48
254-PB284-ROX	E	4400	6 Vp-p	8	85	Wire	ø27.7 x 2.8 x ---	.61	.47	.43	.39
254-PB441-ROX	F	1100	10 Vp-p	11	85	Wire	ø44 x 14 x ---	1.24	.95	.86	.78
254-PB305-ROX	G	2500	10 Vp-p	9	86	Wire	ø30 x 9.5 x ---	1.00	.77	.70	.64
254-PB119-ROX	H	4100	5 Vp-p	5	70	SMD	11 x 9.0 x 1.7	2.65	2.04	1.85	1.68
<b>Self Drive</b>											
254-PB1440-ROX	I	4000	12 VDC	7	80	Pin	ø13.8 x 7.5 x ---	2.24	1.72	1.56	1.42
254-PB239-ROX	J	2900	12 VDC	8	85	Pin	ø23 x 16 x ---	2.44	1.88	1.71	1.55
254-PB247-ROX	K	3700	12 VDC	8	90	Pin	ø24 x 18 x ---	2.55	1.96	1.78	1.62
254-PB233-ROX	G	3300	12 VDC	12	85	Wire	ø22.5 x 12 x ---	2.82	2.17	1.97	1.79
254-PB428-ROX	L	2800	12 VDC	9	96	Wire	ø42 x 16 x ---	3.46	2.66	2.42	2.20
254-PB315-ROX	L	3500	9 VDC	9	95	Wire	ø31 x 14 x ---	2.57	1.98	1.80	1.64
254-PB4229S-ROX	M	2900	110 DC/AC	18	83	Pin	ø43 x 33 x ---	11.60	8.92	8.11	7.37
254-PB145-ROX	N	3300	5 Vp-p	8	80	SMD	14 x 14 x 10.7	2.85	2.19	1.99	1.81
254-PB249-ROX	O	2900	12 VDC	8	85	Pin	ø23.8 x 16 x ---	2.96	2.28	2.07	1.88