

P&B Circuit Breakers



W58 SERIES: PUSH-TO-RESET THERMAL CIRCUIT BREAKERS

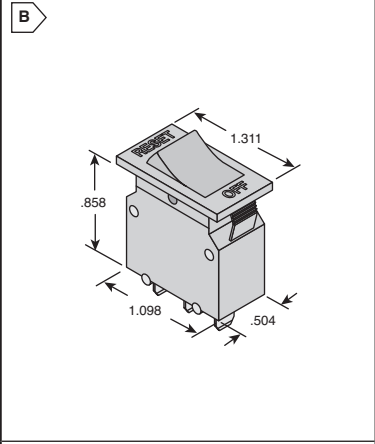
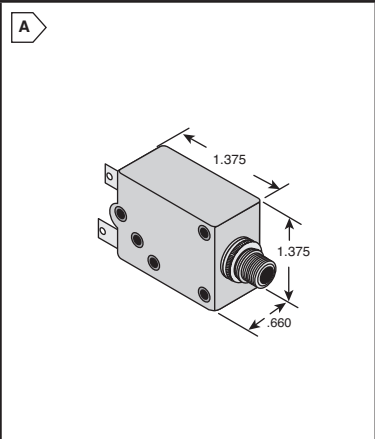
- Features:**
- Cannot be manually tripped
 - Button extends for visual trip indication

- Specifications:**
- Max. operating voltage: 50VDC or 250VAC
 - Resettable overload capacity: ten times rated current
 - Dielectric strength: > 1500 volts RMS



For quantities greater than listed, call for quote.

MOUSER STOCK NO.	P&B Part No.	Fig.	Current Rating	Maximum Resistance	Price Each			
					1	25	50	100
With .250" QC Terminals		Button: white with red rate marking, red trip band						
655-W58-XB1A4A-1	W58-XB1A4A-1	A	1A	1.35Ω	7.03	6.15	5.56	4.39
655-W58-XB1A4A-2	W58-XB1A4A-2	A	2A	320mΩ	7.17	6.27	5.67	4.48
655-W58-XB1A4A-3	W58-XB1A4A-3	A	3A	180mΩ	7.03	6.15	5.56	4.39
655-W58-XB1A4A-4	W58-XB1A4A-4	A	4A	100mΩ	7.03	6.15	5.56	4.39
655-W58-XB1A4A-5	W58-XB1A4A-5	A	5A	26mΩ	5.03	4.40	3.98	3.14
655-W58-XB1A4A-6	W58-XB1A4A-6	A	6A	26mΩ	5.03	4.40	3.98	3.14
655-W58-XB1A4A-7	W58-XB1A4A-7	A	7A	20mΩ	5.13	4.49	4.06	3.20
655-W58-XB1A4A-8	W58-XB1A4A-8	A	8A	20mΩ	5.03	4.40	3.98	3.14
655-W58-XB1A4A-10	W58-XB1A4A-10	A	10A	14mΩ	5.03	4.40	3.98	3.14
655-W58-XB1A4A-12	W58-XB1A4A-12	A	12A	10mΩ	5.03	4.40	3.98	3.14
655-W58-XB1A4A-15	W58-XB1A4A-15	A	15A	10mΩ	4.61	3.54	3.15	2.97
655-W58-XB1A4A-20	W58-XB1A4A-20	A	20A	5mΩ	5.03	4.40	3.98	3.14
655-W58-XB1A4A-25	W58-XB1A4A-25	A	25A	6mΩ	5.03	4.40	3.98	3.14
655-W58-XB1A4A-30	W58-XB1A4A-30	A	30A	4mΩ	5.03	4.40	3.98	3.14
With 6-32 Screw Terminals		Button: white with black rate marking, red trip band						
655-W58-XC4C12A-1	W58-XC4C12A-1	A	1A	1.35Ω	7.03	6.15	5.56	4.39
655-W58-XC4C12A-2	W58-XC4C12A-2	A	2A	320mΩ	7.03	6.15	5.56	4.39
655-W58-XC4C12A-3	W58-XC4C12A-3	A	3A	180mΩ	7.03	6.15	5.56	4.39
655-W58-XC4C12A-5	W58-XC4C12A-5	A	5A	100mΩ	5.81	5.08	4.59	3.63
655-W58-XC4C12A-7	W58-XC4C12A-7	A	7A	26mΩ	5.81	5.08	4.59	3.63
655-W58-XC4C12A-10	W58-XC4C12A-10	A	10A	20mΩ	5.66	4.75	4.28	3.75
655-W58-XC4C12A-15	W58-XC4C12A-15	A	15A	20mΩ	5.81	5.08	4.59	3.63
655-W58-XC4C12A-20	W58-XC4C12A-20	A	20A	14mΩ	5.39	4.72	4.26	3.40
655-W58-XC4C12A-25	W58-XC4C12A-25	A	25A	10mΩ	5.81	5.08	4.59	3.63
655-W58-XC4C12A-30	W58-XC4C12A-30	A	30A	10mΩ	5.39	4.72	4.26	3.40



W51 SERIES: ROCKER ACTUATED THERMAL CIRCUIT BREAKER/POWER SWITCH

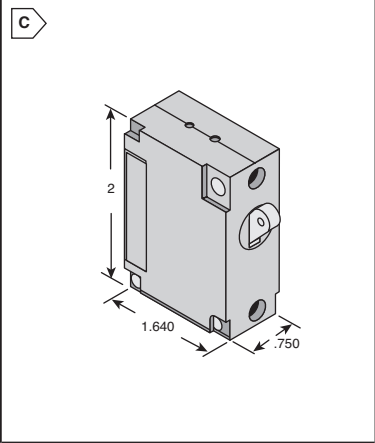
- Features:**
- Provides circuit protection and power switching in single unit.
 - Compact, trip-free rocker-actuated design
 - Snaps into same cutout as many common power switches

- Specifications:**
- Max. operating voltage: 50VDC; 125 or 250VAC
 - Resettable overload capacity: Ten times rated current
 - Dielectric strength: 1500VAC (60 seconds)
 - Reset time: 60 seconds
 - Angular button design
 - Termination: .250" quick connects.
 - Mounting: snaps into panel from front



For quantities greater than listed, call for quote.

MOUSER STOCK NO.	P&B Part No.	Fig.	Current Rating	Maximum Resistance	Price Each			
					1	25	50	100
125VAC, Illuminated, Black Base, Red Rocker								
655-W51-A121B1-5	W51-A121B1-5	B	5A	50mΩ	3.42	2.98	2.70	2.13
655-W51-A121B1-10	W51-A121B1-10	B	10A	25mΩ	3.42	2.98	2.70	2.13
655-W51-A121B1-15	W51-A121B1-15	B	15A	17mΩ	3.64	3.17	2.87	2.26
655-W51-A121B1-20	W51-A121B1-20	B	20A	12.5mΩ	3.42	2.98	2.70	2.13
250VAC, Illuminated, Black Base, Red Rocker								
655-W51-A122B1-5	W51-A122B1-5	B	5A	50mΩ	3.42	2.98	2.70	2.13
655-W51-A122B1-10	W51-A122B1-10	B	10A	25mΩ	3.42	2.98	2.70	2.13
655-W51-A122B1-15	W51-A122B1-15	B	15A	17mΩ	3.64	3.17	2.87	2.26
655-W51-A122B1-20	W51-A122B1-20	B	20A	12.5mΩ	3.64	3.17	2.87	2.26
250VAC, Non-Illuminated, Black Base, Black Rocker								
655-W51-A152A1-5	W51-A152A1-5	B	5A	50mΩ	3.35	2.92	2.65	2.08
655-W51-A152A1-10	W51-A152A1-10	B	10A	25mΩ	3.29	2.87	2.60	2.05
655-W51-A152A1-15	W51-A152A1-15	B	15A	17mΩ	3.29	2.87	2.60	2.05
655-W51-A152A1-20	W51-A152A1-20	B	20A	12.5mΩ	3.29	2.87	2.60	2.05



W6/W9 SERIES: MAGNETIC HYDRAULIC CIRCUIT BREAKERS

- Features:**
- Designed for international market
 - Trip-free operation
 - W6-White toggle actuator (one per pole)
 - W9-Black toggle actuator (one per pole)
 - W6-.250" QC
 - W9-Heavy duty #10-32

- Specifications:**
- All have standard time delay curve (W67-X2Q10-5 has instantaneous time delay curve)
 - Circuit function: series trip
 - Dielectric strength: 1500VAC; 1100VDC
 - Insulation resistance: 100MΩ @ 500VDC



For quantities greater than listed, call for quote.

MOUSER STOCK NO.	P&B Part No.	Fig.	Current Rating	Maximum Resistance	No. of Poles	Price Each			
						1	25	50	100
655-W67-X2Q10-5	W67-X2Q10-5	C	5A	40mΩ	1	20.83	18.22	16.49	13.02
655-W67-X2Q52-10	W67-X2Q52-10	C	10A	13mΩ	1	22.58	19.75	17.87	16.41
655-W67-X2Q12-15	W67-X2Q12-15	C	15A	10mΩ	1	20.42	17.86	16.16	14.84
655-W68-X2Q12-10	W68-X2Q12-10	C	10A	13mΩ	2	48.34	42.29	38.26	32.75
655-W68-X2Q12-15	W68-X2Q12-15	C	15A	10mΩ	2	48.31	42.27	38.24	33.87
655-W68-X2Q12-20	W68-X2Q12-20	C	20A	4mΩ	2	47.36	41.44	37.49	33.21
655-W69-X2Q12-10	W69-X2Q12-10	C	10A	13mΩ	3	65.63	57.41	51.96	46.51
655-W91-X112-10	W91-X112-10	D	10A	13mΩ	1	20.98	17.40	14.48	14.11
655-W91-X112-20	W91-X112-20	D	20A	4mΩ	1	20.98	17.40	14.48	14.11
655-W92-X112-1	W92-X112-1	D	1A	1.2Ω	2	48.33	42.28	38.25	38.00
655-W92-X112-15	W92-X112-15	D	15A	10mΩ	2	48.33	42.28	38.25	32.74
655-W92-X112-20	W92-X112-20	D	20A	4mΩ	2	48.33	42.28	38.25	32.74
655-W92-X112-30	W92-X112-30	D	30A	2.7mΩ	2	48.33	42.28	38.25	32.74
655-W92-X112-50	W92-X112-50	D	50A	1.5mΩ	2	48.33	42.28	38.25	32.74
655-W93-X112-50	W93-X112-50	D	50A	1.5mΩ	3	88.99	77.86	70.45	64.23

