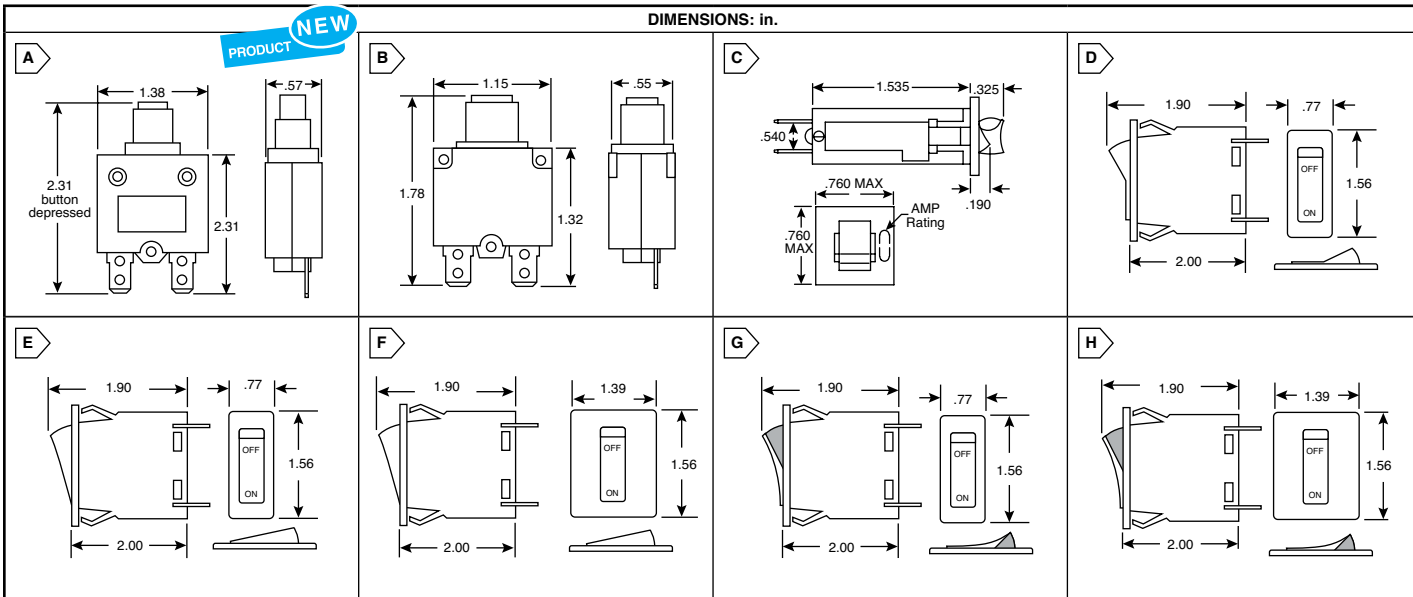


CARLING TECHNOLOGIES Circuit Protection



CARLING CLB SERIES: THERMAL CIRCUIT PROTECTORS WITH METAL BUSHING

Specifications:

- Dielectric Strength: 1500 VAC/1 minute
- Interrupting Capacity: 1200A 232VDC
- Resettable Overload Capacity: 10 x rated current
- Insulation Resistance: 100MΩ
- Operating Temperature: -10°C to 60°C

Applications:

- Appliances
- Transportation
- Marine
- Telecommunications
- Power Strips
- A-V Equipment
- Medical Equipment
- Power Supplies



CARLING M SERIES: MINIATURE CIRCUIT BREAKERS

- Type: Hydraulic/Magnetic
- Circuit: Series Trip (Current Coil)
- Actuator/Legend color: Black/White
- Snap-in front panel mounting

- Frequency and Delay: DC, 50/60Hz Medium
- Terminal: Push-On 0.250 Tab (Q.C.)
- Bezel Color: Black

For quantities greater than listed, call for quote.

MOUSER STOCK NO.	Carling Technologies Part No.	Fig.	Coil Rating	Price Each			
				1	10	25	50
691-CLB-103-11A3NBA	CLB-103-11A3N-B-A	A	10	3.50	2.77	2.35	1.85
691-CLB-153-11A3NBA	CLB-153-11A3N-B-A	A	15	3.50	2.77	2.35	1.82
691-CLB-203-11A3NBA	CLB-203-11A3N-B-A	A	20	4.21	3.31	2.83	2.20
691-CLB-253-11A3NBA	CLB-253-11A3N-B-A	A	25	5.16	4.06	3.46	2.71
691-CLB03311B3ABA	CLB-033-11-B-3-A-B-A	A	3A	4.06	3.46	3.15	3.05
691-CLB04311B3ABA	CLB-043-11-B-3-A-B-A	A	4A	3.98	2.86	2.62	2.54
691-CLB05311B3ABA	CLB-053-11-B-3-A-B-A	A	5A	4.05	3.85	3.04	2.86
691-CLB06311B3ABA	CLB-063-11-B-3-A-B-A	A	6A	3.09	2.22	2.04	1.97
691-CLB07311B3ABA	CLB-073-11-B-3-A-B-A	A	7A	2.82	2.33	2.18	2.12
691-CLB10311B3ABA	CLB-103-11-B-3-A-B-A	A	10A	2.44	2.02	1.92	1.84
691-CLB12311B3ABA	CLB-123-11-B-3-A-B-A	A	12A	2.78	2.30	2.18	2.09
691-CLB15311B3ABA	CLB-153-11-B-3-A-B-A	A	15A	3.01	2.49	2.36	2.26
691-CLB20311B3ABA	CLB-203-11-B-3-A-B-A	A	20A	3.01	2.49	2.36	2.26
691-CLB25311B3ABA	CLB-253-11-B-3-A-B-A	A	25A	3.69	3.05	2.92	2.77
691-CLB30311B3ABA	CLB-303-11-B-3-A-B-A	A	30A	4.02	3.32	3.25	3.01
691-CLB35311B3ABA	CLB-353-11-B-3-A-B-A	A	35A	3.48	2.87	2.81	2.61
691-CLB40311B3ABA	CLB-403-11-B-3-A-B-A	A	40A	4.01	3.30	3.23	3.00

CARLING CMB SERIES: THERMAL CIRCUIT PROTECTORS WITH PLASTIC BUSHING

Specifications:

- Dielectric Strength: 1500 VAC/1 minute
- Interrupting Capacity: 1000 amps
- Resettable Overload Capacity: 10 x rated current
- Insulation Resistance: 100MΩ
- Operating Temperature: -10°C to 60°C

Applications:

- Appliances
- Transportation
- Marine
- Telecommunications
- Power Strips
- A-V Equipment
- Medical Equipment
- Power Supplies



For quantities greater than listed, call for quote.

MOUSER STOCK NO.	Carling Technologies Part No.	Fig.	Coil Rating	Price Each			
				1	10	25	50
691-CMB03311C3NBA	CMB-033-11-C-3-N-B-A	B	3A	3.44	2.87	2.73	2.62
691-CMB04311C3NBA	CMB-043-11-C-3-N-B-A	B	4A	3.64	2.61	2.40	2.32
691-CMB05311C3NBA	CMB-053-11-C-3-N-B-A	B	5A	6.65	5.64	4.85	4.35
691-CMB06311C3NBA	CMB-063-11-C-3-N-B-A	B	6A	2.23	1.84	1.72	1.67
691-CMB07311C3NBA	CMB-073-11-C-3-N-B-A	B	7A	2.23	1.84	1.73	1.67
691-CMB10311C3NBA	CMB-103-11-C-3-N-B-A	B	10A	2.57	2.12	2.00	1.93
691-CMB12311C3NBA	CMB-123-11-C-3-N-B-A	B	12A	2.23	1.84	1.73	1.67
691-CMB15311C3NBA	CMB-153-11-C-3-N-B-A	B	15A	2.09	1.72	1.62	1.57
691-CMB20311C3NBA	CMB-203-11-C-3-N-B-A	B	20A	2.09	1.72	1.62	1.57

CARLING CTB SERIES: PANEL MOUNT ROCKER THERMAL CIRCUIT PROTECTORS

Specifications:

- Dielectric Strength: 1500 VAC/1 minute
- Interrupting Capacity: 1000 amps
- Resettable Overload Capacity: 10 x rated current
- Insulation Resistance: 100MΩ
- Operating Temperature: -10°C to 60°C

Applications:

- Appliances
- Transportation
- Marine
- Power Strips
- A-V Equipment
- Medical Equipment
- Power Supplies
- Exercise Equipment



For quantities greater than listed, call for quote.

MOUSER STOCK NO.	Carling Technologies Part No.	Fig.	Coil Rating	Price Each			
				1	10	25	50
691-CTB-B-B-03	CTB-B-B-03	C	3A	2.09	1.72	1.62	1.57
691-CTB-B-B-05	CTB-B-B-05	C	5A	2.09	1.72	1.62	1.57
691-CTB-B-B-06	CTB-B-B-06	C	6A	2.41	1.98	1.87	1.81
691-CTB-B-B-07	CTB-B-B-07	C	7A	2.41	1.98	1.87	1.81
691-CTB-B-B-08	CTB-B-B-08	C	8A	2.09	1.72	1.62	1.57
691-CTB-B-B-10	CTB-B-B-10	C	10A	1.89	1.62	1.49	1.42
691-CTB-B-B-12	CTB-B-B-12	C	12A	1.80	1.62	1.49	1.39
691-CTB-B-B-15	CTB-B-B-15	C	15A	2.18	1.87	1.72	1.45

CARLING M SERIES: MINIATURE CIRCUIT BREAKERS WITH VISI-ROCKER® AND ILLUMINATED ROCKER

- Type: Hydraulic/Magnetic
- Dual-color rocker actuator indicates ON mode.
- Snap-in front panel mounting
- Circuit: Series Trip (Current Coil)
- Frequency and Delay: DC, 50/60Hz Medium
- Terminal: Push-On 0.250 Tab (Q.C.)

- (Visi-Rocker) Indicator/Legend Color: Red
- (Visi-Rocker) color: Black
- (Visi-Rocker) Bezel Color: Black
- (Illuminated Rocker) color: Transparent red
- (Illuminated Rocker) illumination: Red LED (without resistor)
- (Illuminated Rocker) guard color: Gray

For quantities greater than listed, call for quote.

MOUSER STOCK NO.	Carling Technologies Part No.	Fig.	Pole	Coil Rating	Price Each			
					1	10	25	50
691-MA1B344501A26BC	MA1-B-34-450-1-A26-B-C	D	1	5A	18.52	13.32	12.24	11.82
691-MA1B346101A26BC	MA1-B-34-610-1-A26-B-C	D	1	10A	19.10	17.44	15.78	14.12
691-MA1B346151A26BC	MA1-B-34-615-1-A26-B-C	D	1	15A	17.88	16.33	14.77	13.22
691-MA1B346201A26BC	MA1-B-34-620-1-A26-B-C	D	1	20A	17.37	15.86	14.35	12.84
691-MA1B346251A26BC	MA1-B-34-625-1-A26-B-C	D	1	25A	20.13	18.38	14.44	13.30
691-MA1B344751A12BC	MA1-B-34-475-1-A12-B-C	D	1	7.5A	21.01	14.88	13.74	12.25
691-MA1B346201A12BC	MA1-B-34-620-1-A12-B-C	D	1	20A	23.11	16.36	15.11	13.47
691-MB1B346151A26BC	MB1-B-34-615-1-A26-B-C	E	1	15A	21.01	14.88	13.74	12.25
691-MB1B346201A26BC	MB1-B-34-620-1-A26-B-C	E	1	20A	23.11	16.36	15.11	13.47
691-MB1B344501A27BC	MB1-B-34-450-1-A27-B-C	E	1	5A	19.23	17.50	16.37	15.98
691-MB1B346101A27BC	MB1-B-34-610-1-A27-B-C	E	1	10A	23.53	21.57	20.43	18.96
691-MB2B344201A24BC	MB2-B-34-420-1-A24-B-C	F	2	2A	49.64	35.16	32.47	28.96
691-MB2B344701A24BC	MB2-B-34-470-1-A24-B-C	F	2	7A	49.64	35.16	32.47	28.96
691-MB2B346151A24BC	MB2-B-34-615-1-A24-B-C	F	2	15A	49.64	35.16	32.47	28.96
691-MB2B346101A27BC	MB2-B-34-610-1-A27-B-C	F	2	10A	51.71	49.65	47.58	45.50
691-MB2B346201A27BC	MB2-B-34-620-1-A27-B-C	F	2	20A	45.13	31.97	29.52	26.33
691-MB2B346251A27BC	MB2-B-34-625-1-A27-B-C	F	2	25A	49.64	35.16	32.47	28.96