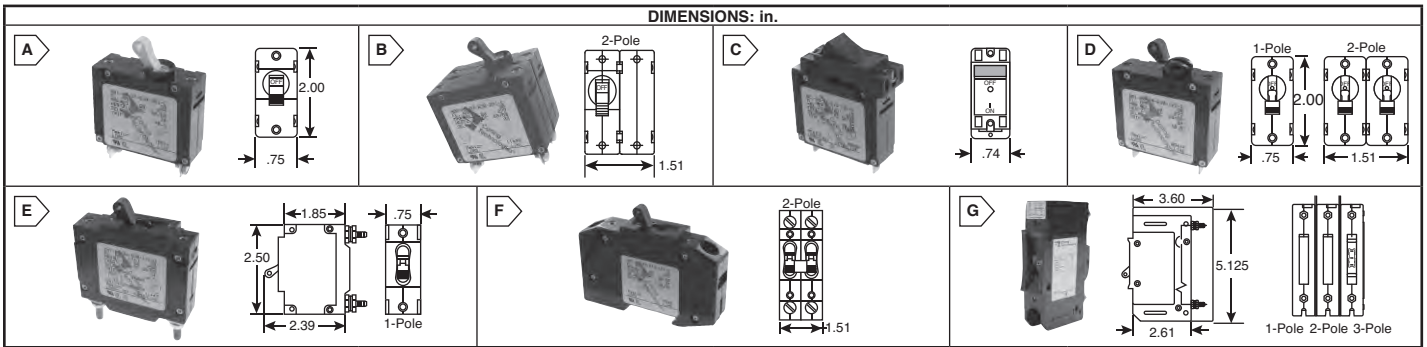


CARLING TECHNOLOGIES Circuit Breakers



CARLING A SERIES: CIRCUIT BREAKERS WITH HANDLE ACTUATOR

- Type: Hydraulic/Magnetic
- Circuit: Series Trip (Current)
- Poles: One
- Frequency and Delay: DC, 50/60Hz Medium
- Actuator/Legend color: Black/White
- Terminal: 10-30A rating - Screw 8-32 (bus type); 50A rating - Screw 10-32 (bus type)
- Mounting: Threaded insert 6-32 x 0.195" deep, 2/pole



For quantities greater than listed, call for quote.

MOUSER STOCK NO.	Carling Technologies Part No.	Fig.	Coil Rating	Price Each			
				1	10	25	50
Color: Black							
691-AA1B0346103B1C	AA1-B0-34-610-3B1-C	A	10A	25.90	18.34	16.95	15.11
691-AA1B0346153B1C	AA1-B0-34-615-3B1-C	A	15A	25.90	18.34	16.95	15.11
691-AA1B0346203B1C	AA1-B0-34-620-3B1-C	A	20A	25.90	18.34	16.95	15.11
691-AA1B0346253B1C	AA1-B0-34-625-3B1-C	A	25A	25.90	18.34	16.95	15.11
691-AA1B0346303B1C	AA1-B0-34-630-3B1-C	A	30A	23.55	16.68	15.41	13.74
691-AA1B0346505B1C	AA1-B0-34-650-5B1-C	A	50A	23.55	16.68	15.41	13.74
Color: White							
691-AA1B0346155D1C	AA1-B0-34-615-5D1-C	A	15A	21.81	20.66	20.66	19.63
691-AA1B0346205D1C	AA1-B0-34-620-5D1-C	A	20A	21.81	20.66	20.66	19.63
691-AA1B0346505D1C	AA1-B0-34-650-5D1-C	A	50A	21.81	20.66	20.66	19.63
691-AB2A0036302D1C	AB2-A0-03-630-2D1-C	B	30A	65.96	42.40	38.87	34.14

CARLING A SERIES: CIRCUIT BREAKERS WITH VISI-ROCKER® ACTUATOR

- Type: Hydraulic/Magnetic
- Dual-color rocker actuator indicates either ON mode for AC1 items or TRIPPED/OFF mode for AF1 items
- Indicator/Legend Color: Red
- Rocker color: Black
- Circuit: Series Trip (Current)
- Poles: One
- Frequency and Delay: DC, 50/60Hz Medium
- Terminal: Push-On 0.250 Tab (Q.C.)
- Mounting: Thread Insert 6-32 x 0.195" deep
- Approvals: D suffix - UL Rec.; CSA and VDE Certified
- C suffix: UL Recognized; CSA Certified



For quantities greater than listed, call for quote.

MOUSER STOCK NO.	Carling Technologies Part No.	Fig.	Coil Rating	Price Each			
				1	10	25	50
691-AC1B034630131D	AC1-B0-34-630-131-D	C	30A	30.01	21.26	19.63	17.51
691-AC1B0344501G1C	AC1-B0-34-450-1G1-C	C	5A	30.01	21.26	19.63	17.51
691-AC1B0346101G1C	AC1-B0-34-610-1G1-C	C	10A	30.01	21.26	19.63	17.51
691-AF1B0346201G1C	AF1-B0-34-620-1G1-C	C	20A	30.01	21.26	19.63	17.51

CARLING B SERIES: CIRCUIT BREAKERS WITH HANDLE ACTUATOR

- Type: Hydraulic/Magnetic
- Actuator: Handle, one per pole
- Poles: BA1 - 1 pole; BA2 - 2 poles
- Circuit: Series Trip (Current)
- Actuator/Legend color: Black/White
- Frequency and Delay: DC, 50/60Hz Medium
- Terminal: Push-On 0.250 Tab (Q.C.)
- Approvals: D suffix - UL Recognized; CSA and VDE Certified
- C suffix: UL Recognized; CSA Certified



For quantities greater than listed, call for quote.

MOUSER STOCK NO.	Carling Technologies Part No.	Fig.	Coil Rating	Price Each			
				1	10	25	50
691-BA1B034425121D	BA1-B0-34-425-121-D	D	2.5A	24.20	17.13	15.82	14.11
691-BA1B034450121D	BA1-B0-34-450-121-D	D	5A	22.00	15.58	14.39	12.83
691-BA1B034610121D	BA1-B0-34-610-121-D	D	10A	22.00	15.58	14.39	12.83
691-BA1B034615121D	BA1-B0-34-615-121-D	D	15A	24.20	17.13	15.82	14.11
691-BA1B034620121D	BA1-B0-34-620-121-D	D	20A	24.20	17.13	15.82	14.11
691-BA2B034425121D	BA2-B0-34-425-121-D	D	2.5A	59.93	41.22	36.65	33.20
691-BA2B034450121D	BA2-B0-34-450-121-D	D	5A	59.93	41.22	36.65	33.20
691-BA2B034610121D	BA2-B0-34-610-121-D	D	10A	59.93	41.22	36.65	33.20
691-BA2B034615121D	BA2-B0-34-615-121-D	D	15A	59.93	41.22	36.65	33.20
691-BA2B034620121D	BA2-B0-34-620-121-D	D	20A	45.12	40.11	36.10	32.81
691-BA2B034630121C	BA2-B0-34-630-121-C	D	30A	59.93	41.22	36.65	33.20



CARLING C SERIES: CIRCUIT BREAKERS WITH HANDLE ACTUATOR

Designed for applications requiring higher amperage and voltage handling capabilities.



- Type: Hydraulic/Magnetic
- Max. interrupting capacity: 10,000 Amps
- Circuit: Series Trip (Current)
- Poles: CA1 - 1 pole; CA2 - 2 poles
- Actuator/Legend color: Black/White
- Frequency and Delay: DC, 50/60Hz Medium
- Actuator: Handle, 1 per pole
- Terminal: 10-32 THD Stud, .625 long
- Voltage: <300
- Approvals: All - UL489 listed; UL Recognized; CSA and VDE Certified



For quantities greater than listed, call for quote.

MOUSER STOCK NO.	Carling Technologies Part No.	Fig.	Coil Rating	Price Each			
				1	10	25	50
691-CA1B034610121D	CA1-B0-34-610-121-D	E	10A	30.28	21.45	19.81	17.66
691-CA1B034615121D	CA1-B0-34-615-121-D	E	15A	30.28	21.45	19.81	17.60
691-CA1B034620121D	CA1-B0-34-620-121-D	E	20A	30.28	21.45	19.81	17.60
691-CA1B034630121D	CA1-B0-34-630-121-D	E	30A	30.28	21.45	19.81	17.60
691-CA1B034640121D	CA1-B0-34-640-121-D	E	40A	30.28	21.45	19.81	17.66
691-CA2B034620121D	CA2-B0-34-620-121-D	E	20A	75.48	53.47	49.38	44.03
691-CA2B034630121D	CA2-B0-34-630-121-D	E	30A	75.48	53.47	49.38	44.03
691-CA2B034640121D	CA2-B0-34-640-121-D	E	40A	75.48	53.47	49.38	44.03
691-CA2B034650121D	CA2-B0-34-650-121-D	E	50A	75.48	53.47	49.38	44.03
691-CA3B034620121D	CA3-B0-34-620-121-D	E	20A	115.47	83.13	76.20	70.95
691-CA3B034630121D	CA3-B0-34-630-121-D	E	30A	119.94	109.51	104.30	99.08
691-CA3B034640121D	CA3-B0-34-640-121-D	E	40A	105.00	75.60	69.30	66.99

CARLING D SERIES: DIN RAIL MOUNT CIRCUIT BREAKERS

- Type: Hydraulic/Magnetic
- Circuit: Series Trip (Current)
- Poles: DA1 - 1 pole; DA2 - 2 poles
- Actuator/Legend color: Black/White
- Actuator: Handle, one per pole
- Frequency and Delay: DC, 50/60Hz Medium
- Terminal: Captured #10 Screw and Pressure Plate for Direct Wire or Fork Terminal Connection



MOUSER STOCK NO.	Carling Technologies Part No.	Fig.	Coil Rating	Price Each			
				1	10	25	50
691-DA1B034450121C	DA1-B0-34-450-121-C	F	5A	35.34	25.03	23.12	20.61
691-DA1B034610121C	DA1-B0-34-610-121-C	F	10A	35.34	25.03	23.12	20.61
691-DA1B034615121C	DA1-B0-34-615-121-C	F	15A	35.34	25.03	23.12	20.61
691-DA1B034620121C	DA1-B0-34-620-121-C	F	20A	35.34	25.03	23.12	20.61

CARLING E-SERIES: CIRCUIT BREAKER WITH POWER SELECTOR

The E-Series hydraulic/magnetic circuit breakers are ideally suited for higher current and voltage applications. They offer front and back mounting, screw terminals, stud terminals and heavy duty box wire connectors for solid wire or a pressure plate connector for standard wire.

With E-Series circuit breakers by Carling Technologies, circuit breakers utilize the hydraulic/magnetic principle, providing key advantages over fuses and thermal breakers. The E-Series offers a compact design and superior handling of up to 125A per pole, and is rated to 600V AC or DC through its innovative design - providing high endurance, resistance to extreme temperatures and superior protection for equipment and wires.

- Type: Hydraulic/Magnetic
- Number of Poles: 1-6
- Available Delays: Instant, Short, Medium, Long (motor loads), High-Inrush, AC or DC
- Mounting Method: Rear Mounted or Front Panel Mounted
- Frequency and Delay: DC, 50/60Hz Medium



For quantities greater than listed, call for quote.

MOUSER STOCK NO.	Carling Technologies Part No.	Fig.	Coil Rating	Price Each		
				1	5	10
691-EA1B02645032EGB	EA1-B0-26-450-32E-GB	G	5	19.83	19.20	18.72
691-EA2B02645032EHB	EA2-B0-26-450-32E-HB	G	5	85.24	57.45	49.24
691-EA2B02661032EHB	EA2-B0-26-610-32E-HB	G	10	25.20	22.68	20.62
691-EA2B02661532EHB	EA2-B0-26-615-32E-HB	G	15	85.24	57.45	49.24
691-EA2B02662032EHB	EA2-B0-26-620-32E-HB	G	20	85.24	57.45	49.24
691-EA2B02663032EHB	EA2-B0-26-630-32E-HB	G	30	85.24	57.45	49.24
691-EA2B02664032EHB	EA2-B0-26-640-32E-HB	G	40	85.24	57.45	49.24
691-EA2B02666032EHB	EA2-B0-26-660-32E-HB	G	60	85.24	64.73	55.49
691-EA2B02681032EHB	EA2-B0-26-810-32E-HB	G	10	85.24	64.73	55.49
691-EA3B02662032EHB	EA3-B0-26-620-32E-HB	G	20	134.84	90.88	77.90
691-EA3B02663032EHB	EA3-B0-26-630-32E-HB	G	30	134.84	90.88	77.90