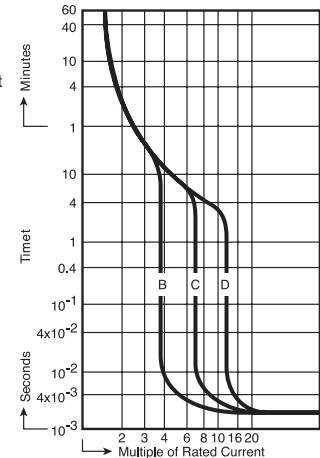
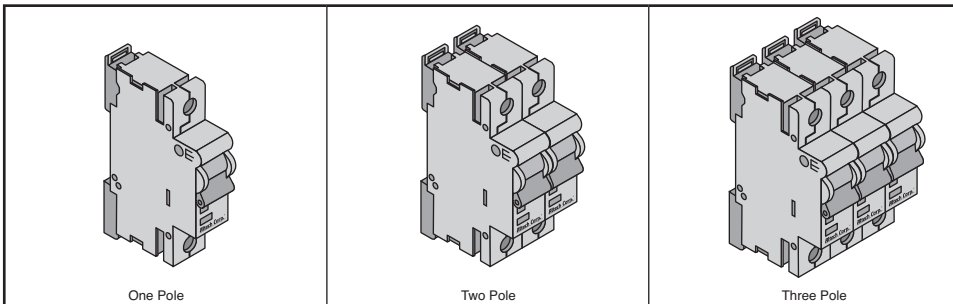


ALTECH UL1077 DIN Rail Circuit Breakers



Altech Corp.® UL1077 R-SERIES SUPPLEMENTARY PROTECTORS

This product is RoHS compliant.



Specifications:

- DIN rail mounted
- 17.5mm width
- Thermal magnetic
- 480Y/277V AC, 50/60Hz
- Short circuit withstand capacity 10kA
- Positive trip indicator (green - off/tripped, red - on)
- Applications (on the load side of branch circuit protection)
 - Include: sensitive electronics (PLC, computers, Communication equipment, etc.), power supplies, appliance circuits, etc.

B - Characteristic

• Thermal one-hour trip zone 1.13-1.45 times rated current (RC); magnetic 100ms trip boundary 3 to 5 times RC.

For quantities greater than listed, call for quote.

MOUSER STOCK NO.	Altech Part No.	Rated Current	Price Each				MOUSER STOCK NO.	Altech Part No.	Rated Current	Price Each				MOUSER STOCK NO.	Altech Part No.	Rated Current	Price Each				
			1	10	25	50				1	10	25	50				1	10	25	50	
One Pole			Two Pole													Three Pole					
845-1BU1R	1BU1R	1.0A	11.31	10.75	10.21	9.70	845-2BU1R	2BU1R	1.0A	21.50	20.42	19.40	18.43	845-3BU1R	3BU1R	1.0A	32.13	30.98	29.63	28.68	
845-1BU2R	1BU2R	2.0A	11.31	10.75	10.21	9.70	845-2BU2R	2BU2R	2.0A	22.14	21.03	19.98	18.98	845-3BU2R	3BU2R	2.0A	35.26	33.50	31.82	30.23	
845-1BU3R	1BU3R	3.0A	12.51	11.88	11.28	10.73	845-2BU3R	2BU3R	3.0A	22.12	21.01	19.96	18.96	845-3BU3R	3BU3R	3.0A	35.26	33.50	31.82	30.23	
845-1BU4R	1BU4R	4.0A	10.99	10.44	9.92	9.42	845-2BU4R	2BU4R	4.0A	22.12	21.01	19.96	18.96	845-3BU4R	3BU4R	4.0A	35.26	33.50	31.82	30.23	
845-1BU5R	1BU5R	5.0A	11.76	11.17	10.61	10.08	845-2BU5R	2BU5R	5.0A	21.50	20.42	19.40	18.43	845-3BU5R	3BU5R	5.0A	35.28	33.52	31.84	30.25	
845-1BU6R	1BU6R	6.0A	11.31	10.75	10.21	9.70	845-2BU6R	2BU6R	6.0A	22.12	21.01	19.96	18.96	-	-	-	-	-	-	-	-
845-1BU8R	1BU8R	8.0A	10.99	10.44	9.92	9.42	845-2BU8R	2BU8R	8.0A	21.48	20.40	19.38	18.41	845-3BU8R	3BU8R	8.0A	35.26	33.50	31.82	30.23	
845-1BU10R	1BU10R	10A	10.99	10.44	9.92	9.42	845-2BU10R	2BU10R	10A	21.50	20.42	19.40	18.43	845-3BU10R	3BU10R	10A	35.26	33.50	31.82	30.23	
845-1BU12R	1BU12R	12A	11.31	10.75	10.21	9.70	845-2BU12R	2BU12R	12A	22.12	21.01	19.96	18.96	845-3BU12R	3BU12R	12A	31.90	29.84	29.49	28.58	
845-1BU13R	1BU13R	13A	11.31	10.75	10.21	9.70	845-2BU13R	2BU13R	13A	21.50	20.42	19.40	18.43	-	-	-	-	-	-	-	-
845-1BU15R	1BU15R	15A	11.31	10.75	10.21	9.70	845-2BU15R	2BU15R	15A	21.50	20.42	19.40	18.43	845-3BU15R	3BU15R	15A	35.26	33.50	31.82	30.23	
845-1BU16R	1BU16R	16A	11.31	10.75	10.21	9.70	845-2BU16R	2BU16R	16A	22.12	21.01	19.96	18.96	845-3BU16R	3BU16R	16A	35.26	33.50	31.82	30.23	
845-1BU20R	1BU20R	20A	10.99	10.44	9.92	9.42	845-2BU20R	2BU20R	20A	21.50	20.42	19.40	18.43	845-3BU20R	3BU20R	20A	35.26	33.50	31.82	30.23	
845-1BU25R	1BU25R	25A	11.31	10.75	10.21	9.70	845-2BU25R	2BU25R	25A	22.12	21.01	19.96	18.96	845-3BU25R	3BU25R	25A	35.26	33.50	31.82	30.23	
845-1BU30R	1BU30R	30A	10.99	10.44	9.92	9.42	845-2BU30R	2BU30R	30A	21.50	20.42	19.40	18.43	845-3BU30R	3BU30R	30A	35.26	33.50	31.82	30.23	
845-1BU32R	1BU32R	32A	11.31	10.75	10.21	9.70	845-2BU32R	2BU32R	32A	22.12	21.01	19.96	18.96	845-3BU32R	3BU32R	32A	35.26	33.50	31.82	30.23	
845-1BU40R	1BU40R	40A	11.31	10.75	10.21	9.70	845-2BU40R	2BU40R	40A	23.50	22.32	21.20	20.14	845-3BU40R	3BU40R	40A	35.26	33.50	31.82	30.23	
845-1BU50R	1BU50R	50A	11.31	10.75	10.21	9.70	845-2BU50R	2BU50R	50A	20.78	18.71	16.84	15.15	845-3BU50R	3BU50R	50A	35.26	33.50	31.82	30.24	
845-1BU60R	1BU60R	60A	11.31	10.75	10.21	9.70	845-2BU60R	2BU60R	60A	22.14	21.01	19.96	18.96	845-3BU60R	3BU60R	60A	35.26	33.50	31.82	30.23	

C - Characteristic

• Thermal one-hour trip zone 1.13-1.45 times rated current (RC); magnetic 100ms trip boundary 5 to 10 times RC.

For quantities greater than listed, call for quote.

MOUSER STOCK NO.	Altech Part No.	Rated Current	Price Each				MOUSER STOCK NO.	Altech Part No.	Rated Current	Price Each				MOUSER STOCK NO.	Altech Part No.	Rated Current	Price Each				
			1	10	25	50				1	10	25	50				1	10	25	50	
One Pole			Two Pole													Three Pole					
845-1CU05R	1CU05R	0.5A	10.99	10.44	9.92	9.42	845-2CU05R	2CU05R	0.5A	22.12	21.01	19.96	18.96	845-3CU05R	3CU05R	0.5A	35.26	33.50	31.82	30.23	
845-1CU1R	1CU1R	1.0A	10.41	9.37	8.43	7.59	845-2CU1R	2CU1R	1.0A	23.50	22.32	21.20	20.14	-	-	-	-	-	-	-	-
845-1CU2R	1CU2R	2.0A	11.31	10.75	10.21	9.70	845-2CU2R	2CU2R	2.0A	22.84	21.70	20.61	19.58	845-3CU2R	3CU2R	2.0A	35.26	33.50	31.82	30.23	
845-1CU3R	1CU3R	3.0A	11.42	10.85	10.30	9.79	845-2CU3R	2CU3R	3.0A	23.52	22.34	21.22	20.16	845-3CU3R	3CU3R	3.0A	35.26	33.50	31.82	30.23	
845-1CU4R	1CU4R	4.0A	11.42	10.85	10.30	9.79	845-2CU4R	2CU4R	4.0A	22.84	21.69	20.61	19.58	845-3CU4R	3CU4R	4.0A	35.26	33.50	31.82	30.23	
845-1CU5R	1CU5R	5.0A	11.42	10.85	10.30	9.79	845-2CU5R	2CU5R	5.0A	20.18	18.17	16.93	15.83	-	-	-	-	-	-	-	-
845-1CU6R	1CU6R	6.0A	11.76	11.17	10.60	10.08	845-2CU6R	2CU6R	6.0A	23.50	22.32	21.20	20.14	845-3CU6R	3CU6R	6.0A	32.03	31.41	29.52	28.84	
845-1CU8R	1CU8R	8.0A	11.76	11.17	10.60	10.08	845-2CU8R	2CU8R	8.0A	20.80	18.73	16.86	15.17	845-3CU8R	3CU8R	8.0A	35.26	33.50	31.82	30.23	
845-1CU10R	1CU10R	10A	10.99	10.44	9.92	9.42	845-2CU10R	2CU10R	10A	22.84	21.69	20.61	19.58	845-3CU10R	3CU10R	10A	34.24	32.53	30.90	29.35	
845-1CU12R	1CU12R	12A	11.31	10.75	10.21	9.70	845-2CU12R	2CU12R	12A	23.50	22.32	21.20	20.14	845-3CU12R	3CU12R	12A	35.26	33.50	31.82	30.23	
845-1CU13R	1CU13R	13A	11.31	10.75	10.21	9.70	845-2CU13R	2CU13R	13A	23.50	22.32	21.20	20.14	-	-	-	-	-	-	-	-
845-1CU15R	1CU15R	15A	11.31	10.75	10.21	9.70	845-2CU15R	2CU15R	15A	22.84	21.69	20.61	19.58	845-3CU15R	3CU15R	15A	35.26	33.50	31.82	30.23	
845-1CU16R	1CU16R	16A	10.41	9.37	8.43	7.59	845-2CU16R	2CU16R	16A	23.50	22.32	21.20	20.15	845-3CU16R	3CU16R	16A	35.26	33.50	31.82	30.23	
845-1CU20R	1CU20R	20A	10.99	10.44	9.92	9.42	845-2CU20R	2CU20R	20A	23.50	22.32	21.20	20.14	845-3CU20R	3CU20R	20A	34.24	32.53	30.90	29.35	
845-1CU25R	1CU25R	25A	11.76	11.17	10.61	10.08	845-2CU25R	2CU25R	25A	23.50	22.32	21.20	20.14	845-3CU25R	3CU25R	25A	34.26	32.55	30.92	29.37	
845-1CU30R	1CU30R	30A	11.31	10.75	10.21	9.70	845-2CU30R	2CU30R	30A	22.84	21.69	20.61	19.58	845-3CU30R	3CU30R	30A	35.26	33.50	31.82	30.23	
845-1CU32R	1CU32R	32A	11.76	11.17	10.60	10.08	845-2CU32R	2CU32R	32A	23.50	22.32	21.20	20.15	845-3CU32R	3CU32R	32A	35.26	33.50	31.82	30.23	
845-1CU50R	1CU50R	50A	11.76	11.17	10.60	10.08	845-2CU50R	2CU50R	50A	23.50	22.32	21.21	20.15	845-3CU50R	3CU50R	50A	34.26	32.55	30.92	29.37	
845-1CU60R	1CU60R	60A	11.76	11.17	10.60	10.08	845-2CU60R	2CU60R	60A	20.18	18.17	16.35	15.07	-	-	-	-	-	-	-	-

D - Characteristic

• Thermal one-hour trip zone 1.13-1.45 times rated current (RC); magnetic 100ms trip boundary 10 to 20 times RC.

For quantities greater than listed, call for quote.

MOUSER STOCK NO.	Altech Part No.	Rated Current	Price Each				MOUSER STOCK NO.	Altech Part No.	Rated Current	Price Each				MOUSER STOCK NO.	Altech Part No.	Rated Current	Price Each				
			1	10	25	50				1	10	25	50				1	10	25	50	
One Pole			Two Pole													Three Pole					
845-1DU05R	1DU05R	0.5A	11.76	11.17	10.60	10.08	845-2DU05R	2DU05R	0.5A	23.50	22.32	21.20	20.14	-	-	-	-	-	-	-	-
845-1DU1R	1DU1R	1.0A	10.35	9.83	9.34	8.87	845-2DU1R	2DU1R	1.0A	20.78	18.72	16.84	15.15	845-3DU1R	3DU1R	1.0A	34.24	32.53	30.90	29.35	
-	-	-	-	-	-	-	845-2DU2R	2DU2R	2.0A	22.84	21.69	20.61	19.58	845-3DU2R	3DU2R	2.0A	35.26	33.50	31.82	30.23	
845-1DU3R	1DU3R	3.0A	11.76	11.17	10.60	10.08	845-2DU3R	2DU3R	3.0A	22.84	21.69	20.61	19.58	845-3DU3R	3DU3R	3.0A	34.26	32.55	30.92	29.37	
845-1DU4R	1DU4R	4.0A	11.76	11.17	10.60	10.08	845-2DU4R	2DU4R	4.0A	20.80	18.73	16.86	15.17	845-3DU4R	3DU4R	4.0A	35.26	33.50	31.82	30.23	
845-1DU5R	1DU5R	5.0A	11.42	10.85	10.30	9.79	845-2DU5R	2DU5R	5.0A	22.84	21.69	20.61	19.58	845-3DU5R	3DU5R	5.0A	32.94	32.17	30.52	29.57	
845-1DU6R	1DU6R	6.0A	11.42	10.85	10.31	9.79	845-2DU6R	2DU6R	6.0A	23.50	22.32	21.20	20.14	845-3DU6R	3DU6R	6.0A	35.28	33.52	31.84	30.25	
845-1DU8R	1DU8R	8.0A	11.76	11.17	10.60	10.08	845-2DU8R	2DU8R	8.0A	23.50	22.32	21.21	20.15	845-3DU8R	3DU8R	8.0A	35.26	33.50	31.82	30.23	
845-1DU10R	1DU10R	10A	11.42	10.85	10.30	9.79	845-2DU10R	2DU10R	10A	22.84	21.69	20.61	19.58	845-3DU10R	3DU10R	10A	35.28	33.			