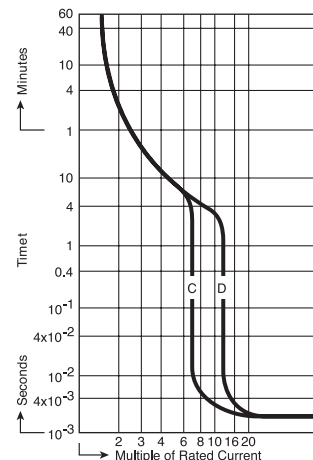
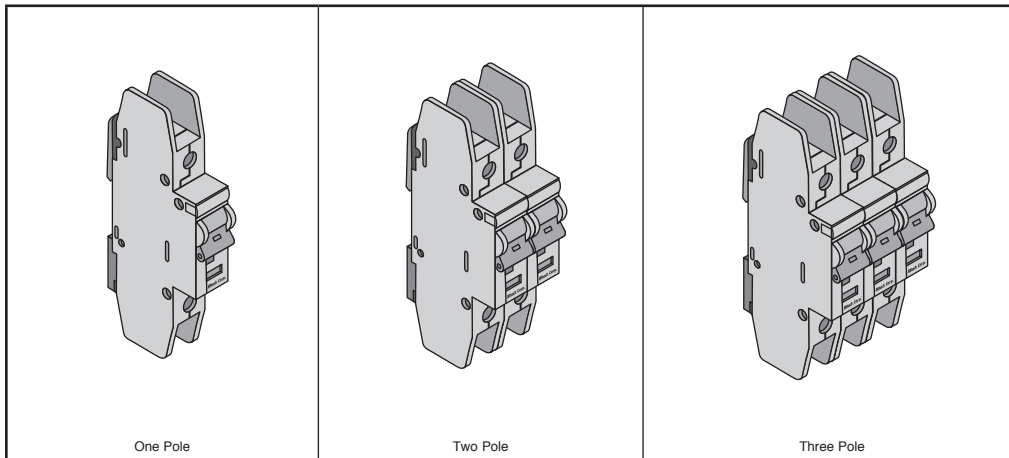


ALTECH UL489 Circuit Breakers



Altech Corp.® L-SERIES CIRCUIT BREAKERS

Specifications:

- UL489 Listed
- DIN Rail Mounted
- 17.5mm width
- Thermal Magnetic
- 0.2-63A/240VAC, 50/60Hz
- 0.2-32A/480Y/277VAC, 50/60Hz
- Short Circuit Interrupt Capacity 10kA
- HACR Type 40°C
- Positive Trip Indicator (Green - off/tripped, Red-on)
- Line/Load reversible
- DC versions available:
 - 125V (1 pole) and 250V (2 pole)



C*- Characteristic Thermal one-hour trip zone 1.05-1.3 times rated current (RC); magnetic 100ms trip boundary 5 to 10 times RC.

For quantities greater than listed, call for quote.

Rated Current	One Pole					Two Pole					Three Pole							
	MOUSER STOCK NO.	Altech Part No.	Price Each				MOUSER STOCK NO.	Altech Part No.	Price Each				MOUSER STOCK NO.	Altech Part No.	Price Each			
			1	10	25	50			1	10	25	50			1	10	25	50
0.2	845-1CU02L	1CU02L	30.38	28.86	27.41	26.04	845-2CU02L	2CU02L	60.97	57.92	55.03	52.27	845-3CU02L	3CU02L	91.46	86.88	82.54	78.43
0.5	845-1CU05L	1CU05L	30.38	28.86	27.41	26.04	845-2CU05L	2CU05L	60.97	57.92	55.03	52.27	845-3CU05L	3CU05L	91.46	86.88	82.54	78.43
1	845-1CU1L	1CU1L	30.38	28.86	27.41	26.04	845-2CU1L	2CU1L	60.97	57.92	55.03	52.27	845-3CU1L	3CU1L	91.46	86.88	82.54	78.43
2	845-1CU2L	1CU2L	30.39	28.87	27.42	26.05	845-2CU2L	2CU2L	59.20	56.24	53.43	50.75	845-3CU2L	3CU2L	91.46	86.89	82.54	78.43
3	845-1CU3L	1CU3L	29.49	28.02	26.61	25.28	845-2CU3L	2CU3L	60.97	57.92	55.03	52.27	845-3CU3L	3CU3L	91.46	86.88	82.54	78.43
4	845-1CU4L	1CU4L	30.39	28.87	27.42	26.05	845-2CU4L	2CU4L	60.97	57.92	55.03	52.27	845-3CU4L	3CU4L	91.46	86.88	82.54	78.43
5	845-1CU5L	1CU5L	29.49	28.02	26.61	25.28	845-2CU5L	2CU5L	59.20	56.24	53.43	50.75	845-3CU5L	3CU5L	91.46	86.89	82.54	78.43
6	845-1CU6L	1CU6L	30.38	28.86	27.41	26.04	845-2CU6L	2CU6L	60.97	57.92	55.03	52.27	845-3CU6L	3CU6L	91.46	86.88	82.54	78.43
8	845-1CU8L	1CU8L	29.50	28.03	26.62	25.29	845-2CU8L	2CU8L	59.20	56.24	53.43	50.75	845-3CU8L	3CU8L	91.46	86.89	82.54	78.43
10	845-1CU10L	1CU10L	29.49	28.02	26.61	25.28	845-2CU10L	2CU10L	60.97	57.92	55.03	52.27	845-3CU10L	3CU10L	91.46	86.88	82.54	78.43
12	845-1CU12L	1CU12L	30.38	28.86	27.41	26.04	845-2CU12L	2CU12L	60.97	57.92	55.03	52.27	845-3CU12L	3CU12L	91.46	86.88	82.54	78.43
13	845-1CU13L	1CU13L	30.38	28.86	27.41	26.04	845-2CU13L	2CU13L	60.97	57.92	55.03	52.27	845-3CU13L	3CU13L	91.46	86.88	82.54	78.43
15	845-1CU15L	1CU15L	29.49	28.02	26.61	25.28	845-2CU15L	2CU15L	59.20	56.24	53.43	50.75	845-3CU15L	3CU15L	91.47	86.89	82.55	78.44
16	845-1CU16L	1CU16L	29.49	28.02	26.61	25.28	845-2CU16L	2CU16L	60.97	57.92	55.03	52.27	845-3CU16L	3CU16L	91.46	86.88	82.54	78.43
20	845-1CU20L	1CU20L	29.50	28.03	26.62	25.29	845-2CU20L	2CU20L	60.97	57.92	55.03	52.27	845-3CU20L	3CU20L	91.46	86.88	82.54	78.43
25	845-1CU25L	1CU25L	29.49	28.02	26.61	25.28	845-2CU25L	2CU25L	59.20	56.24	53.43	50.75	845-3CU25L	3CU25L	91.46	86.88	82.54	78.43
30	845-1CU30L	1CU30L	30.38	28.86	27.41	26.04	845-2CU30L	2CU30L	60.97	57.92	55.03	52.27	845-3CU30L	3CU30L	91.46	86.88	82.54	78.43
32	845-1CU32L	1CU32L	30.38	28.87	27.42	26.05	845-2CU32L	2CU32L	60.97	57.92	55.03	52.27	845-3CU32L	3CU32L	91.46	86.88	82.54	78.43
40	845-1CU40L	1CU40L	29.50	28.03	26.62	25.29	845-2CU40L	2CU40L	60.97	57.92	55.03	52.27	845-3CU40L	3CU40L	91.47	86.89	82.55	78.44
50	845-1CU50L	1CU50L	30.38	28.86	27.41	26.04	845-2CU50L	2CU50L	60.97	57.92	55.03	52.27	845-3CU50L	3CU50L	91.46	86.89	82.54	78.43
60	845-1CU60L	1CU60L	30.38	28.86	27.41	26.04	845-2CU60L	2CU60L	60.97	57.92	55.03	52.27	845-3CU60L	3CU60L	88.80	84.36	80.14	76.15
63	845-1CU63L	1CU63L	30.38	28.86	27.41	26.04	845-2CU63L	2CU63L	60.97	57.92	55.03	52.27	845-3CU63L	3CU63L	91.46	86.88	82.54	78.43

* DC versions available, contact a Mouser service representative

D*- Characteristic Thermal one-hour trip zone 1.05-1.3 times rated current (RC); magnetic 100ms trip boundary 10 to 16 times RC.

For quantities greater than listed, call for quote.

Rated Current	One Pole					Two Pole					Three Pole							
	MOUSER STOCK NO.	Altech Part No.	Price Each				MOUSER STOCK NO.	Altech Part No.	Price Each				MOUSER STOCK NO.	Altech Part No.	Price Each			
			1	10	25	50			1	10	25	50			1	10	25	50
0.2	845-1DU02L	1DU02L	30.38	28.86	27.41	26.04	845-2DU02L	2DU02L	60.97	57.92	55.03	52.27	845-3DU02L	3DU02L	91.46	86.88	82.54	78.43
0.5	845-1DU05L	1DU05L	30.38	28.87	27.42	26.05	845-2DU05L	2DU05L	59.20	56.24	53.43	50.75	845-3DU05L	3DU05L	91.46	86.88	82.54	78.43
1	845-1DU1L	1DU1L	30.38	28.86	27.41	26.04	845-2DU1L	2DU1L	59.20	56.24	53.43	50.75	845-3DU1L	3DU1L	91.46	86.89	82.54	78.43
2	845-1DU2L	1DU2L	30.39	28.87	27.42	26.05	845-2DU2L	2DU2L	59.20	56.24	53.43	50.75	845-3DU2L	3DU2L	91.47	86.89	82.55	78.44
3	845-1DU3L	1DU3L	30.38	28.86	27.41	26.04	845-2DU3L	2DU3L	59.20	56.24	53.43	50.75	845-3DU3L	3DU3L	91.46	86.89	82.54	78.43
4	845-1DU4L	1DU4L	30.39	28.87	27.42	26.05	845-2DU4L	2DU4L	60.97	57.92	55.03	52.27	845-3DU4L	3DU4L	91.46	86.89	82.54	78.43
5	845-1DU5L	1DU5L	29.50	28.03	26.62	25.29	845-2DU5L	2DU5L	59.20	56.24	53.43	50.75	845-3DU5L	3DU5L	88.79	84.35	80.13	76.14
6	845-1DU6L	1DU6L	30.39	28.87	27.42	26.05	845-2DU6L	2DU6L	60.97	57.92	55.03	52.27	845-3DU6L	3DU6L	91.46	86.88	82.54	78.43
8	845-1DU8L	1DU8L	29.50	28.03	26.62	25.29	845-2DU8L	2DU8L	59.20	56.24	53.43	50.75	845-3DU8L	3DU8L	91.46	86.88	82.54	78.43
10	845-1DU10L	1DU10L	30.38	28.86	27.41	26.04	845-2DU10L	2DU10L	59.20	56.24	53.43	50.75	845-3DU10L	3DU10L	91.46	86.88	82.54	78.43
12	845-1DU12L	1DU12L	29.50	28.03	26.62	25.29	845-2DU12L	2DU12L	60.97	57.92	55.03	52.27	845-3DU12L	3DU12L	91.46	86.88	82.54	78.43
13	845-1DU13L	1DU13L	30.38	28.86	27.41	26.04	845-2DU13L	2DU13L	59.20	56.24	53.43	50.75	845-3DU13L	3DU13L	91.46	86.89	82.54	78.43
15	845-1DU15L	1DU15L	29.50	28.03	26.62	25.29	845-2DU15L	2DU15L	59.20	56.24	53.43	50.75	845-3DU15L	3DU15L	91.46	86.88	82.54	78.43
16	845-1DU16L	1DU16L	30.38	28.86	27.41	26.04	845-2DU16L	2DU16L	60.97	57.92	55.03	52.27	845-3DU16L	3DU16L	91.46	86.89	82.54	78.43
20	845-1DU20L	1DU20L	30.38	28.86	27.41	26.04	845-2DU20L	2DU20L	59.20	56.24	53.43	50.75	845-3DU20L	3DU20L	88.79	84.35	80.13	76.14
25	845-1DU25L	1DU25L	30.38	28.86	27.41	26.04	845-2DU25L	2DU25L	60.97	57.92	55.03	52.27	845-3DU25L	3DU25L	91.47	86.89	82.55	78.44
30	845-1DU30L	1DU30L	29.49	28.02	26.61	25.28	845-2DU30L	2DU30L	59.20	56.24	53.43	50.75	845-3DU30L	3DU30L	88.80	84.36	80.14	76.15
32	845-1DU32L	1DU32L	30.38	28.87	27.42	26.05	845-2DU32L	2DU32L	60.97	57.92	55.03	52.27	845-3DU32L	3DU32L	91.46	86.88	82.54	78.43
40	845-1DU40L	1DU40L	30.38	28.86	27.41	26.04	845-2DU40L	2DU40L	60.97	57.92	55.03	52.27	845-3DU40L	3DU40L	88.80	84.36	80.14	76.15
50	845-1DU50L	1DU50L	30.38	28.86	27.41	26.04	845-2DU50L	2DU50L	60.97	57.92	55.03	52.27	845-3DU50L	3DU50L	91.47	86.89	82.55	78.44
60	845-1DU60L	1DU60L	29.49	28.02	26.61	25.28	845-2DU60L	2DU60L	60.97	57.92	55.03	52.27	845-3DU60L	3DU60L	91.46	86.88	82.54	78.43
63	845-1DU63L	1DU63L	30.38	28.86	27.41	26.04	845-2DU63L	2DU63L	60.97	57.92	55.03	52.27	845-3DU63L	3DU63L	88.80	84.36	80.14	76.15

* DC versions available, contact a Mouser service representative

