

P&B Power Relays and Contactors

PRD SERIES: HEAVY DUTY POWER RELAYS

Specifications:

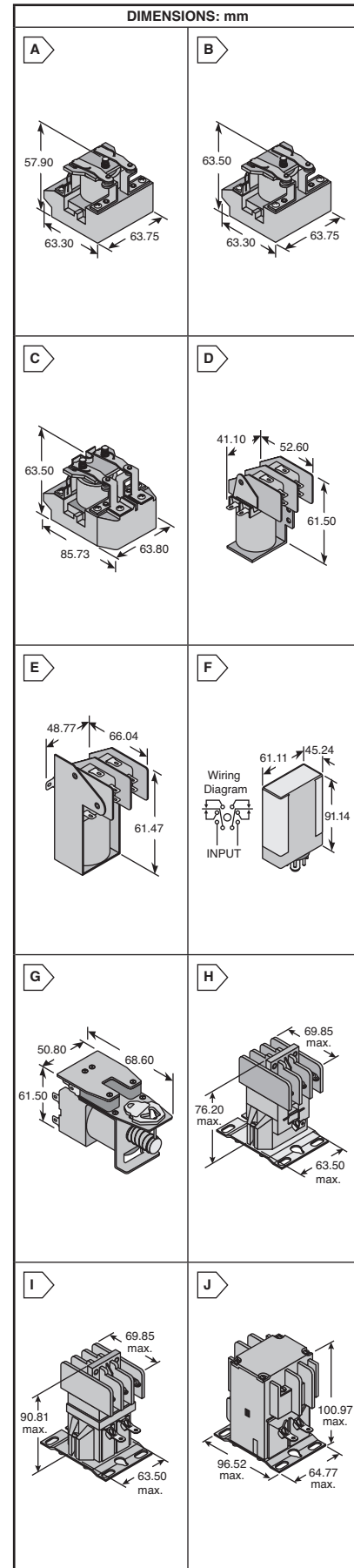
- Initial breakdown voltage: 2000Vrms between all elements and ground
- Expected mechanical life: 100,000 operations
- Screw terminal termination



* With magnetic blow-out

For quantities greater than listed, call for quote.

MOUSER STOCK NO.	P&B Part No.	Fig.	Coil Voltage	Main Contact Arrangement	Contact Rating	Contact Material	Price Each			
							1	25	50	100
655-PRD-3AY0-120	PRD-3AY0-120	A	120VAC	SPST-NO-DM	25A	Silver	22.03	19.95	19.27	18.90
655-PRD-5AY0-120	PRD-5AY0-120	A	120VAC	SPDT	25A	Silver	27.79	24.31	21.99	21.81
655-PRD-5DY0-12	PRD-5DY0-12	A	12VDC	SPDT	25A	Silver	24.48	22.10	21.64	20.99
655-PRD-7AG0-120	PRD-7AG0-120	B	120VAC	DPST-NO	30A	AgCdO	29.91	26.17	23.67	21.49
655-PRD-7AY0-120	PRD-7AY0-120	B	120VAC	DPST-NO	25A	Silver	30.06	26.29	25.35	21.61
655-PRD-7AY0-240	PRD-7AY0-240	B	240VAC	DPST-NO	25A	Silver	37.13	32.47	29.38	23.20
655-PRD-7DY0-12	PRD-7DY0-12	B	12VDC	DPST-NO	25A	Silver	32.08	29.28	26.49	26.00
655-PRD-7DY0-24	PRD-7DY0-24	B	24VDC	DPST-NO	25A	Silver	33.48	29.28	26.49	26.00
* 655-PRD-11AH0-120	PRD-11AH0-120	C	120VAC	DPDT	20A	Silver	41.60	36.40	32.93	32.81
655-PRD-11AY0-24	PRD-11AY0-24	C	24VAC	DPDT	25A	Silver	35.75	31.00	29.83	29.09
655-PRD-11AY0-120	PRD-11AY0-120	C	120VAC	DPDT	25A	Silver	37.33	32.66	29.54	29.41
655-PRD-11AG0-120	PRD-11AG0-120	C	120VAC	DPDT	30A	AgCdO	37.23	31.32	29.44	28.97
655-PRD-11AY0-240	PRD-11AY0-240	C	240VAC	DPDT	25A	Silver	44.72	42.95	42.09	39.44
655-PRD-11DH0-24	PRD-11DH0-24	C	24VDC	DPDT	20A	Silver	40.40	38.75	33.37	31.64
655-PRD-11DY0-24	PRD-11DY0-24	C	24VDC	DPDT	25A	Silver	34.78	31.49	30.26	27.84
655-PRD-11DY0-110	PRD-11DY0-110	C	110VDC	DPDT	25A	Silver	41.86	36.62	33.13	32.69
655-PRD-11DG0-24	PRD-11DG0-24	C	24VDC	DPDT	30A	AgCdO	34.27	30.69	29.38	28.37
* 655-PRD-11DH0-110	PRD-11DH0-110	C	110VDC	DPDT	20A	Silver	42.24	38.25	36.76	33.81



S86R/S87R SERIES: LOW COST INDUSTRIAL RELAYS

Specifications:

- UL Class B coil insulation system
- Coil terminal locations: S86 - Same side as switch terminals; S87 - Perpendicular to switch terminals
- 20 Amp
- Expected mechanical life: 1 million operations
- Applications include spa controls, vending machines, and HVAC



For quantities greater than listed, call for quote.

MOUSER STOCK NO.	P&B Part No.	Fig.	Coil Voltage	Contact Form	Contact Rating	Coil Current	Price Each			
							1	25	50	100
655-S87R5A2B1D1-120	S87R5A2B1D1-120	D	120VAC	SPDT	20A	33mA	36.83	27.93	25.62	23.77
655-S87R11A2B1D1120	S87R11A2B1D1-120	D	120VAC	DPDT	20A	33mA	35.59	31.14	28.17	27.29
655-S86R11A1B1D1120	S86R11A1B1D1-120	E	120VAC	DPDT	20A	33mA	37.49	32.80	29.67	28.79

S89R/S90R SERIES: BISTABLE IMPULSE RELAYS

Specifications:

- Operates on 75ms min. pulse
- Expected mechanical life: 100,000 operations
- Continuous coil rating
- UL Class B coil insulation system
- Applications include garage door controls, motor reversing, and lighting controls



* With dust cover and octal plug-in base

For quantities greater than listed, call for quote.

MOUSER STOCK NO.	P&B Part No.	Fig.	Coil Voltage	Contact Form	Contact Rating	Coil/Switch Terminals	Price Each			
							1	25	50	100
* 655-S89R11APP1-120	S89R11APP1-120	F	120VAC	DPDT	15A	-----	60.04	52.52	47.52	43.18
655-S89R11DAC1-12	S89R11DAC1-12	G	12VDC	DPDT	15A	.187"QC	56.55	50.21	45.42	35.86
655-S89R11DAC1-24	S89R11DAC1-24	G	24VDC	DPDT	15A	.187"QC	52.19	45.67	41.31	41.00
655-S89R5AAC1-120	S89R5AAC1-120	G	120VAC	SPDT	15A	.187"QC	47.12	41.22	37.29	29.44
655-S89R5AAC1-24	S89R5AAC1-24	G	24VAC	SPDT	15A	.187"QC	48.47	42.40	38.36	31.20
655-S90R5ABD1-120	S90R5ABD1-120	G	120VAC	SPDT	20A	.250"QC	43.09	37.69	34.11	33.56

DEFINITE PURPOSE MAGNETIC CONTACTORS

Specifications:

- Contact material: Silver-cadmium oxide
- Expected mechanical life: AC coil - 2 million operations; DC coil - 10 million operations
- For controlling motors, power supplies, heating elements, and lighting
- Minimum contact load: 3A @ 120VAC
- Class A insulation class
- Coil terminals: 8-32 Screw terminals and .250"QC
- Main contact terminal: screw terminal



* With SPDT auxiliary switch

For quantities greater than listed, call for quote.

MOUSER STOCK NO.	P&B Part No.	Fig.	Coil Voltage	Contact Arrangement	Contact Rating	Contact Material	Price Each			
							1	25	50	100
655-P25P42A22P1-120	P25P42A22P1-120	H	120VAC	3PST-NO-DM	25A	AgCdO	110.25	92.55	90.55	79.79
655-P25P42A22P1-240	P25P42A22P1-240	H	240VAC	3PST-NO-DM	25A	AgCdO	127.68	111.72	101.06	79.79
655-P25P42D22P1-24	P25P42D22P1-24	I	24VDC	3PST-NO-DM	25A	AgCdO	103.85	90.86	82.21	66.12
655-P30P42D12P1-24	P30P42D12P1-24	J	24VDC	3PST-NO-DM	30A	AgCdO	127.79	111.82	101.16	101.00
* 655-P40P42D12P1-24	P40P42D12P1-24	J	24VDC	3PST-NO-DM	40A	AgCdO	122.22	106.93	96.75	87.84