

# P&B General Purpose Relays



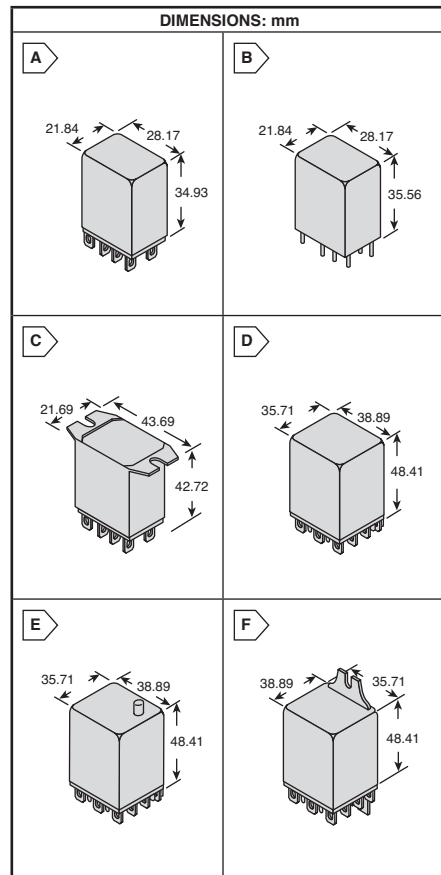
## K10 SERIES: 15 AMP GENERAL PURPOSE MINIATURE RELAYS

- Specifications:**
- DPDT contact arrangement
  - Continuous duty cycle
  - Expected Mechanical life: 100,000 operations min.
  - UL Class B insulation system
  - Contact Materials: AgCdO
  - Cover: polycarbonate (smoke color)
  - Max. Coil Power: 2 Watts



For quantities greater than listed, call for quote.

MOUSER STOCK NO.	P&B Part No.	Fig.	Coil Voltage	Mounting Type	Terminal Type	Price Each			
						1	25	50	100
655-K10P-11A15-6	K10P-11A15-6	A1	6VAC	Socket	.187" QC/Solder	11.26	9.84	8.91	7.03
655-K10P-11A15-12	K10P-11A15-12	A1	12VAC	Socket	.187" QC/Solder	11.26	9.84	8.91	7.03
655-K10P-11A15-24	K10P-11A15-24	A1	24VAC	Socket	.187" QC/Solder	11.26	9.84	8.91	7.03
655-K10P-11A15-120	K10P-11A15-120	A1	120VAC	Socket	.187" QC/Solder	11.26	9.84	8.91	7.03
655-K10P-11D15-6	K10P-11D15-6	A1	6VDC	Socket	.187" QC/Solder	11.26	9.84	8.91	7.03
655-K10P-11D15-12	K10P-11D15-12	A1	12VDC	Socket	.187" QC/Solder	8.96	7.83	6.19	5.71
655-K10P-11D15-24	K10P-11D15-24	A1	24VDC	Socket	.187" QC/Solder	8.86	7.74	7.01	5.71
655-K10P-11D15-110	K10P-11D15-110	A1	110VDC	Socket	.187" QC/Solder	11.26	9.84	8.91	7.03
655-K10P-11D55-12	K10P-11D55-12	B1	12VDC	PCB terminals	.160" length	8.96	7.83	6.19	5.71
655-K10P-11D55-24	K10P-11D55-24	B1	24VDC	PCB terminals	.160" length	11.26	9.84	8.91	7.03
655-K10P-11D55-110	K10P-11D55-110	B1	110VDC	PCB terminals	.160" length	11.26	9.84	8.91	7.03
655-K10P-11DT5-12	K10P-11DT5-12	C1	12VDC	Top Flange/Panel	.187" QC/Solder	9.89	8.25	7.61	7.07
655-K10P-11DT5-24	K10P-11DT5-24	C1	24VDC	Top Flange/Panel	.187" QC/Solder	25.15	22.03	19.95	16.41
655-K10P-11AT5-120	K10P-11AT5-120	C1	120VAC	Top Flange/Panel	.187" QC/Solder	11.60	10.18	9.21	7.27
<b>Sockets and Accessories</b>						<b>Description</b>			
655-27E487	27E487			Screw terminal socket, rated 10A		7.06	6.17	5.58	4.41
655-27E488	27E488			Solder terminal socket, rated 10A		2.28	2.00	1.80	1.42
655-27E489	27E489			PCB terminal socket, rated 10A		2.52	2.20	1.99	1.57
655-27E895	27E895			DIN mount screw terminal, 10A		7.42	6.48	5.87	4.63
655-20C217	20C217			Hold down spring for 27E488 and 27E489		.29	.27	.251	.223
655-20C297	20C297			Hold down spring for 27E487		.29	.25	.22	.19
655-24A110	24A110			Aluminum DIN rail track, 36"		13.51	11.82	10.70	8.45



## KUP SERIES: ENCLOSED GENERAL PURPOSE RELAYS

- Specifications:**
- Clear polycarbonate dust cover
  - UL Class B insulation system
  - Expected Mechanical life: 100,000 operations min.
  - Contact material: 5A - Silver; 10A - AgCdO
  - Plain case



For quantities greater than listed, call for quote.

MOUSER STOCK NO.	P&B Part No.	Fig.	Coil Voltage	Terminal Type	Contact Form	Contact Rating	Price Each			
							1	25	50	100
655-KUP-11A11-120	KUP-11A11-120	D2	120VAC	.187" QC/Solder	DPDT	5A	13.58	11.87	10.74	10.00
655-KUP-11D11-24	KUP-11D11-24	D2	24VDC	.187" QC/Solder	DPDT	5A	13.68	11.97	10.82	8.54
655-KUP-11A15-24	KUP-11A15-24	D2	24VAC	.187" QC/Solder	DPDT	10A	15.02	13.14	11.89	9.39
655-KUP-11A15-120	KUP-11A15-120	D2	120VAC	.187" QC/Solder	DPDT	10A	15.02	13.14	11.89	9.39
655-KUP-11D15-12	KUP-11D15-12	D2	12VDC	.187" QC/Solder	DPDT	10A	15.02	13.14	11.89	9.39
655-KUP-11D15-24	KUP-11D15-24	D2	24VDC	.187" QC/Solder	DPDT	10A	15.02	13.14	11.89	9.39
655-KUP-14A11-120	KUP-14A11-120	D3	120VAC	.187" QC/Solder	3PDT	5A	15.07	13.17	11.92	10.31
655-KUP-14D11-24	KUP-14D11-24	D3	24VDC	.187" QC/Solder	3PDT	5A	14.49	13.22	12.88	10.17
655-KUP-14A15-12	KUP-14A15-12	D3	12VAC	.187" QC/Solder	3PDT	10A	18.14	15.78	14.36	11.34
655-KUP-14A15-24	KUP-14A15-24	D3	24VAC	.187" QC/Solder	3PDT	10A	17.52	15.33	13.87	10.95
655-KUP-14A15-120	KUP-14A15-120	D3	120VAC	.187" QC/Solder	3PDT	10A	17.52	15.33	13.87	10.95
655-KUP-14D15-12	KUP-14D15-12	D3	12VDC	.187" QC/Solder	3PDT	10A	13.92	12.15	11.09	9.57
655-KUP-14D15-24	KUP-14D15-24	D3	24VDC	.187" QC/Solder	3PDT	10A	11.68	9.68	8.79	8.47
655-KUP-14D15-48	KUP-14D15-48	D3	48VDC	.187" QC/Solder	3PDT	10A	15.07	13.17	11.92	10.31
655-KUP-5A15-24	KUP-5A15-24	D4	24VAC	.187" QC/Solder	SPDT	10A	38.98	34.03	31.07	26.80
655-KUP-5A15-120	KUP-5A15-120	D4	120VAC	.187" QC/Solder	SPDT	10A	16.24	14.21	12.85	11.06
655-KUP-5A15-240	KUP-5A15-240	D4	240VAC	.187" QC/Solder	SPDT	10A	18.67	16.33	14.78	11.66
655-KUP-5D15-12	KUP-5D15-12	D4	12VDC	.187" QC/Solder	SPDT	10A	14.22	11.85	10.94	10.01
655-KUP-17A19-120	KUP-17A19-120	D5	120VAC	.110" QC/Solder	4PDT	10A	72.39	63.33	57.27	54.93
655-KUP-17D19-24	KUP-17D19-24	D5	24VDC	.110" QC/Solder	4PDT	10A	48.12	40.10	37.02	34.37
<b>With Test Button</b>										
655-KUP-14A25-120	KUP-14A25-120	E3	120VAC	.187" QC/Solder	3PDT	10A	18.67	16.33	14.78	11.66
<b>With Indicator Lamp</b>										
655-KUP-11A35-120	KUP-11A35-120	D2	120VAC	.187" QC/Solder	DPDT	10A	14.46	11.99	9.97	9.58
655-KUP-14A35-24	KUP-14A35-24	D3	24VAC	.187" QC/Solder	3PDT	10A	16.15	14.13	12.79	11.06
655-KUP-14A35-120	KUP-14A35-120	D3	120VAC	.187" QC/Solder	3PDT	10A	16.15	14.13	12.79	11.06
<b>With Test Button and Indicator Lamp</b>										
655-KUP-14A45-120	KUP-14A45-120	E3	120VAC	.187" QC/Solder	3PDT	10A	19.91	17.41	15.76	12.44
<b>Bracket Mount Case</b>										
655-KUP-11D55-12	KUP-11D55-12	F2	12VDC	.187" QC/Solder	DPDT	10A	14.40	12.60	11.40	9.00
655-KUP-11D55-24	KUP-11D55-24	F2	24VDC	.187" QC/Solder	DPDT	10A	14.40	12.60	11.40	9.00
655-KUP-11A55-24	KUP-11A55-24	F2	24VAC	.187" QC/Solder	DPDT	10A	12.85	9.68	9.19	8.85
655-KUP-11A55-120	KUP-11A55-120	F2	120VAC	.187" QC/Solder	DPDT	10A	15.67	13.71	12.40	9.79
655-KUP-14A55-24	KUP-14A55-24	F3	24VAC	.187" QC/Solder	3PDT	10A	18.14	15.78	14.36	11.34
655-KUP-14A55-120	KUP-14A55-120	F3	120VAC	.187" QC/Solder	3PDT	10A	18.14	15.78	14.36	11.34
655-KUP-14D55-12	KUP-14D55-12	F3	12VDC	.187" QC/Solder	3PDT	10A	16.90	14.78	13.37	10.56
655-KUP-14D55-24	KUP-14D55-24	F3	24VDC	.187" QC/Solder	3PDT	10A	16.90	14.78	13.37	10.56
655-KUP-5A55-120	KUP-5A55-120	F4	120VAC	.187" QC/Solder	SPDT	10A	16.15	14.13	12.79	11.06
655-KUP-5D55-24	KUP-5D55-24	F4	24VDC	.187" QC/Solder	SPDT	10A	15.09	13.56	12.51	10.40
<b>Sockets and Accessories</b>						<b>Description</b>				
655-27E043	27E043			Solder eyelet socket, rated 15A, for 1-3 pole relays		1.95	1.77	1.71	1.59	
655-27E067	27E067			PCB terminals socket, rated 15A, for 1-3 pole relays		3.58	3.20	3.08	2.76	
655-27E121	27E121			Screw terminal socket, rated 15A, for 1-3 pole relays		7.79	7.07	6.82	5.42	
655-27E396	27E396			.187" quick connect socket, rated 15A, for 1-3 pole relays		3.66	3.19	2.89	2.28	
655-27E867	27E867			Screw terminal socket, rated 15A, for 4 pole relays		21.21	18.56	16.78	13.26	
655-27E893	27E893			Screw terminal, DIN rail snap-mnt socket, 1-3 pole relays		10.44	9.12	8.25	6.52	
655-20C228	20C228			Hold down spring w/ screw for 27E043, 27E067, 27E121		.76	.666	.602	.475	
655-20C254	20C254			Snap-on hold down spring for 1-4 pole sockets		.31	.267	.235	.192	
655-20C318	20C318			Hold down spring for 27E893		.29	.25	.22	.19	
655-24A110	24A110			Aluminum DIN rail track, 36"		13.51	11.82	10.70	8.45	

