

OMRON General Purpose Relays

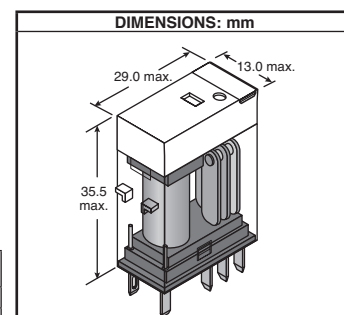
OMRON G2RS SERIES: SLIM, POWER PLUG-IN RELAYS

Specifications:

- Contact rating: SPDT 10A @ 250VAC/30VDC
DPDT 5A @ 250VAC/30VDC
- Power consumption: AC 0.90VA @ 60Hz
DC 0.53W
- Terminals: Plug-in

Features:

- Slim and space-saving power plug-in relays
- Built-in mechanical operation indicator
- Provided with nameplate
- AC/LED type is equipped with a coil-disconnection, self-diagnostic function.
- High switching power (1-pole: 10A)



General Purpose Type

For quantities greater than listed, call for quote.

MOUSER STOCK NO.	Omron Part No.	Fig.	Contact Form	Number of Poles	Rated Current (mA)		Coil Resistance (Ω)	Coil Voltage	Price Each			
					@50Hz	@60Hz			1	25	50	100
653-G2R-1S-DC24S	G2R-1-S-DC24S	A	SPDT	1	21.6	21.6	1,113	24VDC	3.79	3.56	3.39	3.24
653-G2R-1-SDC48S	G2R-1-S DC48(S)	A	SPDT	1	11.4	11.4	4,220	48VDC	4.51	4.10	3.76	3.47
653-G2R-1S-AC24S	G2R-1-S-AC24S	A	SPDT	1	43.5	37.4	253	24VAC	6.00	5.45	5.00	4.62
653-G2R-1S-AC120S	G2R-1-S-AC120S	A	SPDT	1	8.6	7.5	7,286	120VAC	6.36	5.96	5.48	5.06
653-G2R-1-SAC240S	G2R-1-S AC240(S)	A	SPDT	1	3.7	3.2	30,360	240VAC	10.89	9.90	9.08	8.38
653-G2R-2-SDC6S	G2R-2-SDC6(S)	B	DPDT	2	87.0	87.0	69	6VDC	5.68	5.16	4.67	4.21
653-G2R-2S-DC12S	G2R-2-S-DC12(S)	B	DPDT	2	43.2	43.2	278	12VDC	4.34	4.06	3.88	3.64
653-G2R-2S-DC24S	G2R-2-S-DC24S	B	DPDT	2	21.6	21.6	1,113	24VDC	5.10	4.69	4.24	3.82
653-G2R-2-SDC48S	G2R-2-S DC48(S)	B	DPDT	2	11.4	11.4	4,220	48VDC	5.26	4.78	4.38	4.04
653-G2R-2S-AC24S	G2R-2-S-AC24S	B	DPDT	2	43.5	37.4	253	24VAC	6.59	6.18	5.90	5.65
653-G2R-2S-AC120S	G2R-2-S-AC120S	B	DPDT	2	8.6	7.5	7,286	120VAC	7.52	7.04	6.73	6.46
653-G2R-2-SAC240S	G2R-2-S AC240(S)	B	DPDT	2	3.7	3.2	30,360	240VAC	11.64	10.59	9.55	8.62

With Diode

For quantities greater than listed, call for quote.

MOUSER STOCK NO.	Omron Part No.	Fig.	Contact Form	Number of Poles	Rated Current (mA)		Coil Resistance (Ω)	Coil Voltage	Price Each			
					@50Hz	@60Hz			1	25	50	100
653-G2R-1-SDDC24S	G2R-1-SD DC24(S)	C	SPDT	1	21.6	21.6	1,113	24VDC	6.25	5.41	5.12	4.62

With LED Indicator

For quantities greater than listed, call for quote.

MOUSER STOCK NO.	Omron Part No.	Fig.	Contact Form	Number of Poles	Rated Current (mA)		Coil Resistance (Ω)	Coil Voltage	Price Each			
					@50Hz	@60Hz			1	25	50	100
653-G2R-1-SN-DC12S	G2R-1-SN-DC12S	D	SPDT	1	43.2	43.2	278	12VDC	10.26	9.91	9.08	8.39
653-G2R-1-SN-DC24S	G2R-1-SN-DC24S	D	SPDT	1	21.6	21.6	1,113	24VDC	7.36	6.69	6.13	5.66
653-G2R-1-SN-AC24S	G2R-1-SN-AC24S	E	SPDT	1	43.5	37.4	253	24VAC	7.53	6.84	6.27	5.79
653-G2R-1-SN-AC120S	G2R-1-SN-AC120S	E	SPDT	1	8.6	7.5	7,286	120VAC	9.70	8.82	7.96	7.18
653-G2R-2-SNDC6S	G2R-2-SN DC6(S)	F	DPDT	2	87.0	87.0	69	6VDC	9.37	8.52	7.81	7.21
653-G2R-2-SN-DC24S	G2R-2-SN-DC24S	F	DPDT	2	21.6	21.6	1,113	24VDC	10.14	9.34	8.44	7.63
653-G2R-2-SN-AC24S	G2R-2-SN-AC24S	G	DPDT	2	43.5	37.4	253	24VAC	9.11	8.61	8.17	7.90
653-G2R-2-SN-AC120S	G2R-2-SN-AC120S	G	DPDT	2	8.6	7.5	7,286	120VAC	10.35	9.52	8.73	8.06

LED Indicator with Test Button

For quantities greater than listed, call for quote.

MOUSER STOCK NO.	Omron Part No.	Fig.	Contact Form	Number of Poles	Rated Current (mA)		Coil Resistance (Ω)	Coil Voltage	Price Each			
					@50Hz	@60Hz			1	25	50	100
653-G2R-1-SNIDC24S	G2R-1-SNI DC24(S)	D	SPDT	1	21.6	21.6	1,113	24VDC	7.90	7.25	6.57	5.91
653-G2R-2-SNIDC24S	G2R-2-SNIDC24(S)	G	DPDT	2	21.6	21.6	1,113	24VDC	7.92	7.48	7.09	6.86

With LED Indicator and Diode

For quantities greater than listed, call for quote.

MOUSER STOCK NO.	Omron Part No.	Fig.	Contact Form	Number of Poles	Rated Current (mA)		Coil Resistance (Ω)	Coil Voltage	Price Each			
					@50Hz	@60Hz			1	25	50	100
653-G2R-1SND-DC24S	G2R-1SND-DC24S	H	SPDT	1	21.6	21.6	1,113	24VDC	8.48	7.71	7.06	6.75
653-G2R-2-SND-DC12S	G2R-2-SND-DC12(S)	I	DPDT	2	43.2	43.2	278	12VDC	9.70	9.35	8.43	7.61
653-G2R-2SND-DC24S	G2R-2SND-DC24S	I	DPDT	2	21.6	21.6	1,113	24VDC	11.34	10.44	9.43	8.53

LED Indicator and Diode with Test Button

For quantities greater than listed, call for quote.

MOUSER STOCK NO.	Omron Part No.	Fig.	Contact Form	Number of Poles	Rated Current (mA)		Coil Resistance (Ω)	Coil Voltage	Price Each			
					@50Hz	@60Hz			1	25	50	100
653-G2R-2-SNDIDC24S	G2R-2-SNDI DC24(S)	I	DPDT	2	21.6	21.6	1,113	24VDC	12.47	11.48	10.37	9.38

ACCESSORIES

For quantities greater than listed, call for quote.

MOUSER STOCK NO.	Omron Part No.	Description	Price Each			
			1	25	50	100
653-P2RF-05-E	P2RF-05-E	Track mount socket for G2R-1S and G2R-1-SN, screw terminals	3.48	3.30	3.14	2.99
653-P2RF-08	P2RF-08	Track mount socket for G2R-2S and G2R-2-SN, solder terminals	7.66	7.25	6.87	6.65
653-P2RF-08-E	P2RF-08-E	Track mount socket for G2R-2S and G2R-2-SN, screw terminals	6.49	5.90	5.40	4.98
653-P2RF-05S	P2RF-05S	Track mount socket for G2R-1S and G2R-1-SN, screwless clamp	5.70	5.13	4.56	4.10
653-P2RF-08S	P2RF-08S	Track mount socket for G2R-2S and G2R-2-SN, screwless clamp	10.47	9.42	8.37	7.53
653-P2R-05P	P2R-05P	Back mount socket for G2R-1S and G2R-1-SN, PCB terminals	1.60	1.58	1.49	1.43
653-P2R-08P	P2R-08P	Back mount socket for G2R-2S and G2R-2-SN, PCB terminals	1.78	1.68	1.60	1.49
653-PFP-100N	PFP-100N	DIN rail 100cm (39") length	6.06	5.70	5.38	5.10
653-PFP-M	PFP-M	Din rail end stop plate	.65	.51	.50	.49

