

MAGNECRAFT General Purpose Relays



RoHS Compliant This product is RoHS compliant.

CLASS 782H HERMETICALLY SEALED RELAYS

Specifications:

- UL Class 1 Div. 2 for use in hazardous locations.
- UL Listed when used with DIN mount socket 528-461 and hold down clip 528-132D listed below.
- Coil power: 0.9 watts DC, 1.2VA (60Hz) AC @ 25°C
- Class B insulation
- Dielectric strength: 1240Vrms

Features:

- Vacuum baked and dry nitrogen filled
- Removes contaminants and provides a clean and dry atmosphere for contacts
- Hermetically sealed metal enclosure

Applications:

- Ideal for use in hazardous locations



For quantities greater than listed, call for quote.

MOUSER STOCK NO.	Magnecraft® Part No.	Fig.	Contact		Coil		Price Each				
			Form	Rating	Volts	Ω	1	10	25	50	
Solder/Plug-In											
528-782XH21-12D	782DXDH21-12D	A1	4PDT	5A	12VDC	160	62.76	57.05	52.31	49.02	
528-782XH10-24D	782DXDH10-24D	A1	4PDT	3A	24VDC	650	57.05	51.58	49.26	47.12	
528-782XH21-24D	782DXDH21-24D	A1	4PDT	5A	24VDC	650	73.83	67.47	62.12	58.41	
528-782XH10-120A	782DXDH10-120A	A1	4PDT	3A	120VAC	3900	63.82	59.57	55.85	52.56	
Sockets and Hold Down Clip for Class 782DXH Relays											
528-3781	70-378-1	-	14 Pin Solder terminals, 4 Pole					.88	.81	.78	.74
528-3791	70-379-1	-	14 Pin PC terminals, 4 Pole					1.07	1.02	.98	.95
528-461	70-461-1	-	14 Pin DIN/Panel mount with screw terminals					3.63	3.35	3.18	3.00
528-16-1342	16-1342	-	Metal hold down clip for 782 relays					.62	.59	.53	.49

CLASS 783 RELAYS

For quantities greater than listed, call for quote.

MOUSER STOCK NO.	Magnecraft® Part No.	Fig.	Contact		Coil		Price Each			
			Form	Rating	Volts	Ω	1	5	20	40
528-783CXM4L-24A	783CXM4L-24A	-	3PDT	15A	24VAC	103	11.04	10.71	10.46	9.79

CLASS 784 ICE CUBE RELAYS

For quantities greater than listed, call for quote.

MOUSER STOCK NO.	Magnecraft® Part No.	Fig.	Contact		Coil		Price Each			
			Form	Rating	Volts	Ω	1	5	20	40
528-784DXDC-24A	784DXDC-24A	-	4DPDT	15A	24VAC	84.5	10.02	9.88	9.75	9.61
528-784DXDC-24D	784DXDC-24D	-	4DPDT	15A	24VDC	388	10.98	10.31	9.35	8.68
528-784DXM4L-12D	784DXM4L-12D	-	4DPDT	15A	48VDC	1550	13.18	12.74	12.30	11.53

CLASS 788 POWER RELAYS

For quantities greater than listed, call for quote.

MOUSER STOCK NO.	Magnecraft® Part No.	Fig.	Contact	Rating	Coil	Volts	Price Each			
							Ω	1	10	25
528-788BXC-120A	788BXC-120A	-	DPDT	16A	120VAC	1700	11.60	11.24	10.78	10.05
528-788BXC-240A	788BXC-240A	-	DPDT	16A	240VAC	1700	13.22	12.82	12.27	11.46

CLASS 785 SQUARE BASE MAGNETIC LATCHING RELAYS

Specifications:

- Contact resistance: 50mΩ maximum initial at rated current
- Coil power: 1.9 watts DC, 2.1 VA(60Hz) AC @ 25°C

- Contact material: silver cadmium oxide, gold flashed
- Dielectric strength: 1500Vrms



For quantities greater than listed, call for quote.

MOUSER STOCK NO.	Magnecraft® Part No.	Supercedes	Fig.	Contact		Coil		Price Each			
				Form	Rating	Volts	Ω	1	10	25	50
Single Coil Latching											
528-785BXC-12D	785BXC-12D	W388MLCPX-6	B2	DPDT	16A	12VDC	120	15.62	14.94	14.26	12.90
Dual Coil Latching											
528-785BXC-12D	785BXC-12D	W388ML2CPX-6	B3	DPDT	16A	12VDC	88/88	18.42	17.62	16.82	15.22
528-785BXC-24D	785BXC-24D	W388ML2CPX-7	B3	DPDT	16A	24VDC	350/350	13.59	13.06	12.33	11.62
Sockets and Hold Down Clips for 785 Relays											
528-1241	70-124-1	-----	-	11 Pin Solder terminals with mounting tabs				1.37	1.28	1.21	1.16
528-1242	70-124-2	-----	-	11 Pin QC terminals with mounting tabs				1.30	1.22	1.15	1.10
528-1781	70-178-1	-----	-	11 Pin PC terminals with mounting tabs				1.25	1.20	1.15	1.10
528-1782	70-178-2	-----	-	11 Pin PC terminals without mounting tabs				1.31	1.22	1.10	1.05
528-4631	70-463-1	-----	-	11 Pin DIN/Panel mount with screw terminals				3.50	3.23	3.06	2.89
528-70-788EL11-1	70-788EL11-1	-----	-	11 Pin Logic style DIN mount elevator terminals, module compatible				6.52	6.22	6.05	5.58

CLASS 788 SQUARE BASE RELAYS

Specifications:

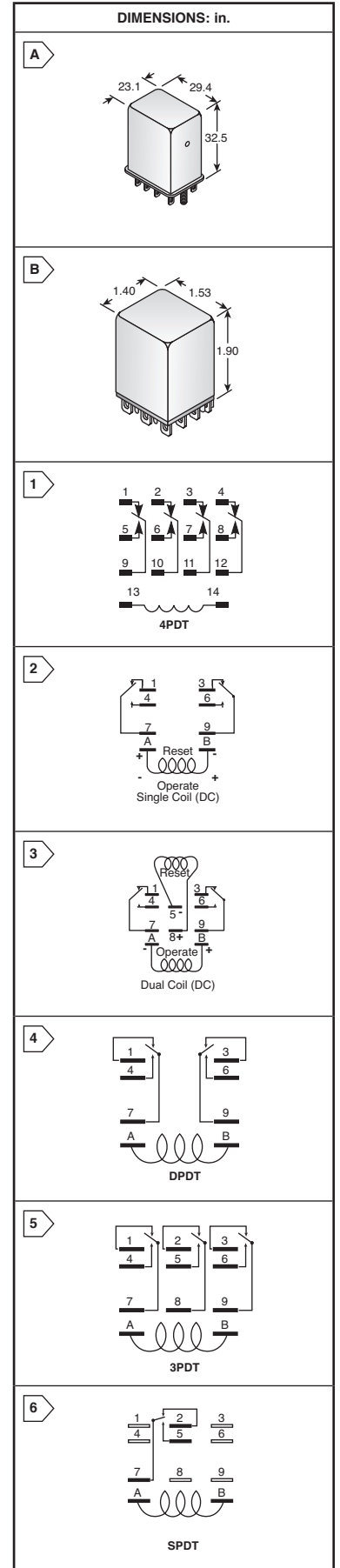
- Contact resistance: 50mΩ max. initial resistance @ rated current
- Coil power: 1.2 watts for DC coils, 2VA to 2.75VA for AC @ 25°C
- Class B insulation

- Contact material: silver alloy, gold flashed
- Dielectric strength: 1500Vrms



For quantities greater than listed, call for quote.

MOUSER STOCK NO.	Magnecraft® Part No.	Supercedes	Fig.	Contact		Coil		Price Each			
				Form	Rating	Volts	Ω	1	10	25	50
Plain Cover, AC or DC Operated											
528-788BXC-12D	788BXC-12D	A283BXC-12D	B4	DPDT	16 Amp	12VDC	120	12.48	10.39	9.81	9.23
528-788CXC-12D	788CXC-12D	A283CXC-12D	B5	3PDT	16 Amp	12VDC	120	12.65	11.68	11.00	10.44
528-788CXC-24D	788CXC-24D	A283CXC-24D	B5	3PDT	16 Amp	24VDC	472	15.05	12.63	11.94	11.23
528-788CXC-24A	788CXC-24A	A283CXC-24A	B5	3PDT	16 Amp	24VAC	72	14.33	12.74	12.03	11.33
528-788CXC-120A	788CXC-120A	A283CXC-120A	B5	3PDT	16 Amp	120VAC	1700	15.36	13.96	12.79	11.81
Flange Mount Cover, AC or DC Operated											
528-788AXC1-24D	788AXC1-24D	A283AXC1-24D	B6	SPDT	16 Amp	24VDC	472	10.90	10.63	10.04	9.45
528-788BXC1-120A	788BXC1-120A	A283BXC1-120A	B4	DPDT	16 Amp	120VAC	2250	13.80	11.48	10.86	10.22
528-788CXC1-24D	788CXC1-24D	A283CXC1-24D	B5	3PDT	16 Amp	24VDC	472	34.90	33.31	31.72	28.56
Plain Cover with Blowout Magnet											
528-788BX69C-24D	788BX69C-24D	-----	-	DPDT	16 Amp	24 VDC	470	15.00	13.73	13.21	12.65
Sockets and Hold Down Clip for Series 788 Square Base Relays											
528-1241	70-124-1	-----	-	11 Pin Solder terminals with mounting tabs				1.37	1.28	1.21	1.16
528-1242	70-124-2	-----	-	11 Pin Q.C. terminals with mounting tabs				1.30	1.22	1.15	1.10
528-1781	70-178-1	-----	-	11 Pin PC terminals with mounting tabs				1.25	1.20	1.15	1.10
528-1782	70-178-2	-----	-	11 Pin PC terminals without mounting tabs				1.31	1.22	1.10	1.05
528-4631	70-463-1	-----	-	11 Pin DIN/Panel mount with screw terminals				3.50	3.23	3.06	2.89
528-16-1351	16-1351	-----	-	Metal hold down clip				.68	.59	.55	.52



General Purpose Relays Magnecraft

