

# MAGNECRAFT General Purpose Relays



## Magnecraft CLASS 782 GENERAL PURPOSE RELAYS

RoHS Compliant This product is RoHS compliant.

**Specifications:**

- Contact material: 3 amps bifurcated - silver gold plated
- 3 amps - silver gold flashed
- 5, 10 and 15 Amps - silver cadmium oxide, gold flashed
- Coil power: 0.9 - 1.1 watts DC, 1.0 - 1.2VA (60Hz) AC, @ 25°C
- Class B insulation
- Dielectric strength: 1500Vrms



**Solder/Plug-in Mount**

For quantities greater than listed, call for quote.

MOUSER STOCK NO.	Magnecraft® Part No.	Fig.	Contact		Coil		Price Each			
			Form	Rating	Volts	Ω	1	10	25	50
528-782XB2M4L-120A	782XB2M4L-120A	A1	DPDT	10A	120VAC	4430	7.30	7.05	6.69	6.39
528-782XB2M4L-12D	782XB2M4L-12D	A1	DPDT	10A	12VDC	160	8.04	7.66	7.35	7.02
528-782XB2M4L-24A	782XB2M4L-24A	A1	DPDT	10A	24VAC	180	7.36	7.02	6.74	6.43
528-7880-6	782XBXC-6D	A2	DPDT	20A	6VDC	40	6.28	5.75	5.45	5.15
528-7880-7	782XBXC-12D	A2	DPDT	15A	12VDC	160	4.56	4.31	4.07	3.88
528-7880-8	782XBXC-24D	A2	DPDT	15A	24VDC	650	4.70	4.45	4.20	4.00
528-7810-1	782DXIC-6D	A3	4PDT	3A	6VDC	40	6.57	6.11	5.79	5.48
528-7810-2	782DXIC-12D	A3	4PDT	3A	12VDC	160	4.49	4.17	3.96	3.75
528-7895-13	782DX2C-24D	A3	4PDT	10A	24VDC	650	6.03	5.87	5.53	5.27
528-7870-9	782XBXC-24A	A2	DPDT	15A	24VAC	180	6.05	5.55	4.27	4.07
528-7870-11	782XBXC-120A	A2	DPDT	15A	120VAC	4430	4.85	4.62	4.44	4.24
528-7870-12	782XBXC-240A	A2	DPDT	20A	240VAC	15700	8.40	7.84	7.43	7.04
528-7840-3	782DXIC-24A	A3	4PDT	3A	24VAC	180	7.14	6.83	6.55	6.26
528-7840-5	782DXIC-120A	A3	4PDT	3A	120VAC	4430	6.71	6.44	6.15	5.88

**Enclosed, Printed Circuit Mount**

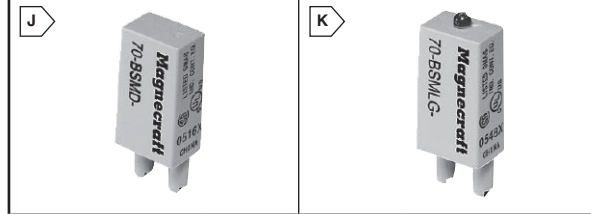
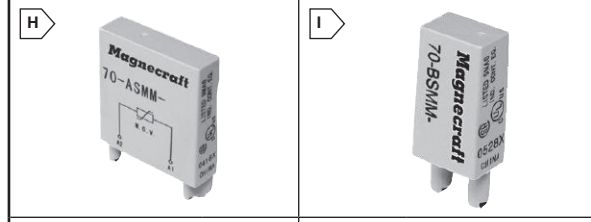
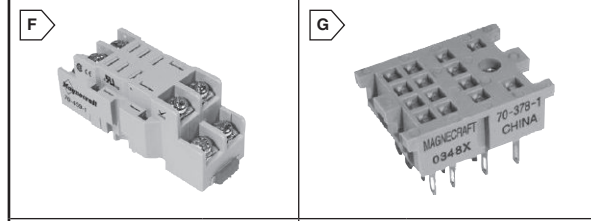
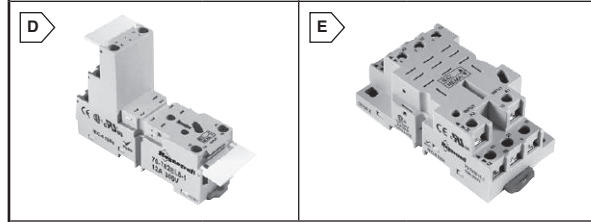
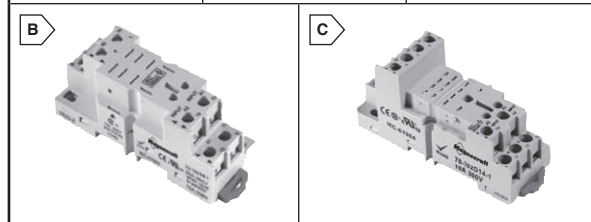
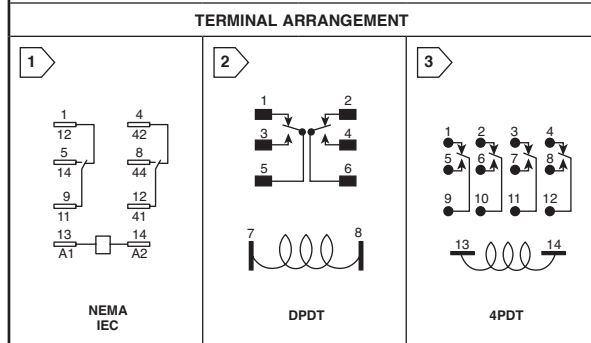
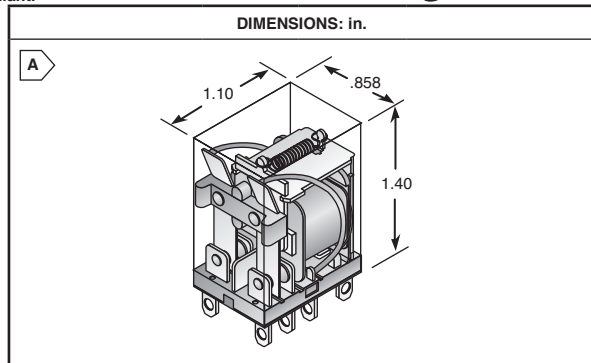
For quantities greater than listed, call for quote.

MOUSER STOCK NO.	Magnecraft® Part No.	Fig.	Contact		Coil		Price Each			
			Form	Rating	Volts	Ω	1	10	25	50
528-7830-1	782XBXC-6D	A2	DPDT	20A	6VDC	40	6.69	5.79	5.49	4.99
528-7830-2	782XBXC-12D	A2	DPDT	15A	12VDC	160	6.81	6.61	6.24	5.95
528-7830-3	782XBXC-24D	A2	DPDT	15A	24VDC	650	6.27	6.09	5.75	5.48
528-7820-2	782DX3C-12D	A3	4PDT	3A	12VDC	160	10.08	9.16	8.40	7.75
528-7820-3	782DX3C-24D	A3	4PDT	3A	24VDC	650	6.85	6.66	6.03	5.62
528-7850-5	782XBXC-120A	A2	DPDT	15A	120VAC	4430	6.56	6.28	6.02	5.75
528-7825-3	782DX3C-24A	A3	4PDT	3A	24VAC	180	8.96	7.18	6.83	5.81
528-7825-5	782DX3C-120A	A3	4PDT	3A	120VAC	4430	6.35	6.07	5.80	5.24

## Magnecraft HARDWARE FOR CLASS 782 RELAYS

For quantities greater than listed, call for quote.

MOUSER STOCK NO.	Magnecraft® Part No.	Fig.	Description	Use with Relay Series	Price Each			
					1	10	25	50
<b>Finger Safe-Sockets with Screw Clamp Terminals</b>								
528-70-782D8-1A	70-782D8-1A	B	8 Pin DIN/Panel Mount	782, w/0.187 Terminal	5.25	5.05	4.81	4.58
528-70-782D14-1	70-782D14-1	C	14 Pin Ice Cube Sckt	782, 4 Pole (Plain and Full Featured)	3.79	3.64	3.48	3.32
				782, Hermetic Only				
528-70-782E14-1	70-782E14-1	D	DIN/PM Socket 14-Pin, Elev Term	700	5.27	4.95	4.83	4.60
528-70-782EL14-1	70-782EL14-1	D	DIN/PM Socket 14-Pin, Elev Term	700	5.63	5.26	5.16	4.92
528-70-782EL11-1	70-782EL11-1	D	DIN/PM Socket 11-Pin, Elev Term	700	5.87	5.62	5.37	5.12
<b>Finger Safe-Sockets with Eurostyle (Elevator) Terminals</b>								
528-70-782EL8-1	70-782EL8-1	E	DIN Rail Socket	782, 2 Pole (All)	4.91	4.76	4.47	4.30
528-70-783D11-1A	70-783D11-1A	E	DIN/PM Socket 11-Pin, Screw Term	700	7.39	7.09	6.77	6.44
<b>Classic Sockets with Screw Clamp Terminals</b>								
528-459	70-459-1	F	8 Pin Screw Terminals	782, w/0.187 Terminal	4.34	4.09	3.88	3.77
528-461	70-461-1	F	14 Pin Screw Terminals	782 (All and Hermetic)	3.63	3.35	3.18	3.00
<b>Chassis Mount Sockets with Solder Terminals</b>								
528-3781	70-378-1	G	14 Pin Solder Terminals	782 (All and Hermetic) 782C, Hermetic Only	.88	.81	.78	.74
<b>Chassis Mount Sockets with 0.187" Quick Connect Terminals</b>								
528-401	70-401-1	-	8 Pin Solder Terminals	782, w/0.187 Terminal	1.53	1.43	1.35	1.28
<b>Printed Circuit Sockets with Thru-Hole Solder Pins</b>								
528-3791	70-379-1	-	14 Pin PC Terminals	782 (All and Hermetic) TDR782	1.07	1.02	.98	.95
528-402	70-402-1	-	8 Pin PC Terminals	782, w/0.187 Terminal	1.26	1.19	1.14	1.12
<b>Clips for Class 782-784 Relays</b>								
528-16-1342	16-1342	-	Hold Down Clip	782 (All)	.62	.59	.53	.49
528-16-782IDC	16-782IDC	-	Write - On ID Clip	782	2.80	2.64	2.38	2.26
528-16-782PC-1	16-782PC-1	-	Plastic Hold-Down Clip	782	.68	.65	.63	.59
528-16-782SC	16-782SC	-	Metal Spring Clip	782	1.37	1.28	1.18	1.12
528-16-783IDC	16-783IDC	-	Write - On ID Clip	783	3.12	2.94	2.64	2.52
528-16-784IDC	16-784IDC	-	Write - On ID Clip	784	2.97	2.89	2.60	2.46
528-16-784SC	16-784SC	-	Metal Spring Clip	784	1.35	1.28	1.17	1.11
528-16-TDR782SC	16-TDR782SC	-	Metal Spring Clip	782	1.54	1.41	1.37	1.32
<b>Hardware for 70-782</b>								
528-16-700ST-1	16-700ST-1	-	ID Tags for 16-782PC-1	782	5.15	4.96	4.72	4.50
528-70-ASMM-24	70-ASMM-24	H	MOV Suppressor	70-750-70-788	3.27	3.13	2.99	2.85
528-70-BSMM-120	70-BSMM-120	I	MOV Suppressor	70-782	2.74	2.60	2.53	2.39
528-70-BSMM-24	70-BSMM-24	I	MOV Suppressor	70-782	3.41	3.25	3.11	2.84
528-70-BSMM-240	70-BSMM-240	I	MOV Suppressor	70-782	2.68	2.55	2.47	2.35
528-70-BSMD-250	70-BSMD-250	J	Protection Diode	70-785	2.05	1.97	1.88	1.78
528-70-BSMLG-24	70-BSMLG-24	K	LED Indicator	70-782	1.76	1.70	1.66	1.56



Magnecraft General Purpose Relays