

# CRYDOM Panel Mount Solid State Relays



## CRYDOM CSW SERIES LOW LEAKAGE (10-90A, 120/240VAC)

The series CSW has an SCR AC switch output featuring low off-state leakage (1mA, snubberless), zero-voltage switching and broadened operating range (24-280Vrms). This wide range permits optimum performance at both 120VAC and 240VAC line voltages.

- Low leakage
- SCR AC switch output
- Operating temperature: -40°C to 80°C
- Isolation voltage: 4000Vrms
- Line voltage: 24-280Vrms
- Control voltage: 3-32VDC
- Control current: 13mA DC
- Must release voltage: 1.0



For quantities greater than listed, call for quote.

MOUSER STOCK NO.	Crydom Part No.	Fig.	Load Current (Amps ms)	Surge Current 1-Cycle (Apk)	Price Each		
					1	10	25
558-CSW2410	CSW2410	A	.15-10	120	31.68	29.69	28.37
558-CSW2425	CSW2425	A	.15-25	250	38.83	37.00	36.00
558-CSW2450	CSW2450	A	.15-50	625	46.47	44.29	43.14
558-CSW2475	CSW2475	A	.25-75	1000	73.87	70.40	68.43
558-CSW2490	CSW2490	A	.25-90	1200	81.35	77.52	75.36

## CRYDOM HD/HA SERIES (25-90A, 480VAC OUTPUT)

- Output - SCR AC Switch
- Zero voltage switching
- 1200 Volt blocking
- Operating temperature: -40°C to 80°C
- Isolation voltage: 4000Vrms
- Line voltage: 48-530VAC
- Control current: DC - 2mA @ 5VDC; AC - 2mA @ 120VAC



For quantities greater than listed, call for quote.

MOUSER STOCK NO.	Crydom Part No.	Fig.	Control Voltage	Load Current (Arms)	Must Release Voltage	Price Each		
						1	10	25
<b>DC Control</b>								
558-HD48125	HD48125	A	3-32VDC	.04-125	1VDC	114.03	108.66	106.16
558-HD4825	HD4825	A	3-32VDC	.04-25	1VDC	50.85	48.46	47.42
558-HD4850	HD4850	A	3-32VDC	.04-50	1VDC	56.45	53.80	52.56
558-HD6050	HD6050	A	3-32VDC	.04-50	1VDC	58.39	55.64	54.36
558-HD6050-10	HD6050-10	A	3-32VDC	.04-50	1VDC	80.99	74.46	71.13
558-HD4890-10	HD4890-10	A	3-32VDC	.04-90	1VDC	129.52	119.11	113.78
558-HD4890	HD4890	A	3-32VDC	.04-90	1VDC	93.48	89.09	87.04
<b>AC Control</b>								
558-HA4825	HA4825	A	90-280VAC	.04-25	10VAC	55.15	52.56	50.98
558-HA4890	HA4890	A	90-280VAC	.04-90	10VAC	95.80	91.29	88.55

## CRYDOM SERIES DC60 PANEL MOUNT RELAYS

- Bi-polar transistor output
- Load current range: 3-7A
- Operating voltage range: 0-60VDC
- DC Switching- SPST-NC
- Isolation range: 4000V
- Panel Mount



For quantities greater than listed, call for quote.

MOUSER STOCK NO.	Crydom Part No.	Fig.	Input Voltage	Output Voltage	Price Each			
					1	10	25	50
558-DC60S3-B	DC60S3-B	A	3.5-32VDC	3-60VDC	26.88	25.62	25.03	24.44
558-DC60S5-B	DC60S5-B	A	3.5-32VDC	3-60VDC	38.12	36.33	35.49	34.66
558-DC60S7-B	DC60S7-B	A	3.5-32VDC	3-60VDC	43.02	41.00	40.05	39.10
558-DC60SA3-B	DC60SA3-B	A	90-280VAC	3-60VDC	29.50	28.11	27.46	26.82
558-DC60SA5-B	DC60SA5-B	A	90-280VAC	3-60VDC	39.07	37.23	36.37	35.52
558-DC60SA7-B	DC60SA7-B	A	90-280VAC	3-60VDC	45.65	43.50	42.50	41.50

## CRYDOM PC SERIES: PHASE CONTROL PANEL MOUNT SSR, (25-90AMP, 120/480VAC - AC OUTPUT)

Proportional Controllers PC Series incorporate a complete phase-fired logic system and SSR to provide phase control function within industrial standard package.

- Output SCR AC switching
- Angle firing load control
- Loads up to 90Amps
- 0-100% Control range

For quantities greater than listed, call for quote.

MOUSER STOCK NO.	Crydom Part No.	Fig.	Line Voltage Range	Rated Current	Analog Input	Price Each	
						1	10
558-MCPC1250E	MCPC1250E	B	12: 48-140	50A	Potentiometer	93.18	88.80
558-MCPC1250C	MCPC1250C	B	12: 48-140	50A	0-10Vdc	93.18	88.80
558-MCPC2425A	MCPC2425A	B	24: 180-280	25A	Potentiometer	87.46	83.35
558-MCPC2425E	MCPC2425E	B	24: 180-280	25A	Potentiometer	86.60	82.53
558-MCPC2425C	MCPC2425C	B	24: 180-280	25A	0-10Vdc	86.60	82.53
558-MCPC4825E	MCPC4825E	B	48: 330-530	25A	Potentiometer	98.65	94.01
558-MCPC4825C	MCPC4825C	B	48: 330-530	25A	0-10Vdc	98.65	94.01

## CRYDOM EZ SERIES PC MOUNT SSR'S (5-18 AMP, 120/240, 480VAC, AC OUTPUT)

- Low leakage
- SCR Output
- Quick connect terminals
- Isolation voltage: 4000Vrms
- Line voltage: 24-280Vrms
- Operating temperature: -30°C to 80°C
- Load current: .15-18ADC
- Must release voltage: 1VDC



For quantities greater than listed, call for quote.

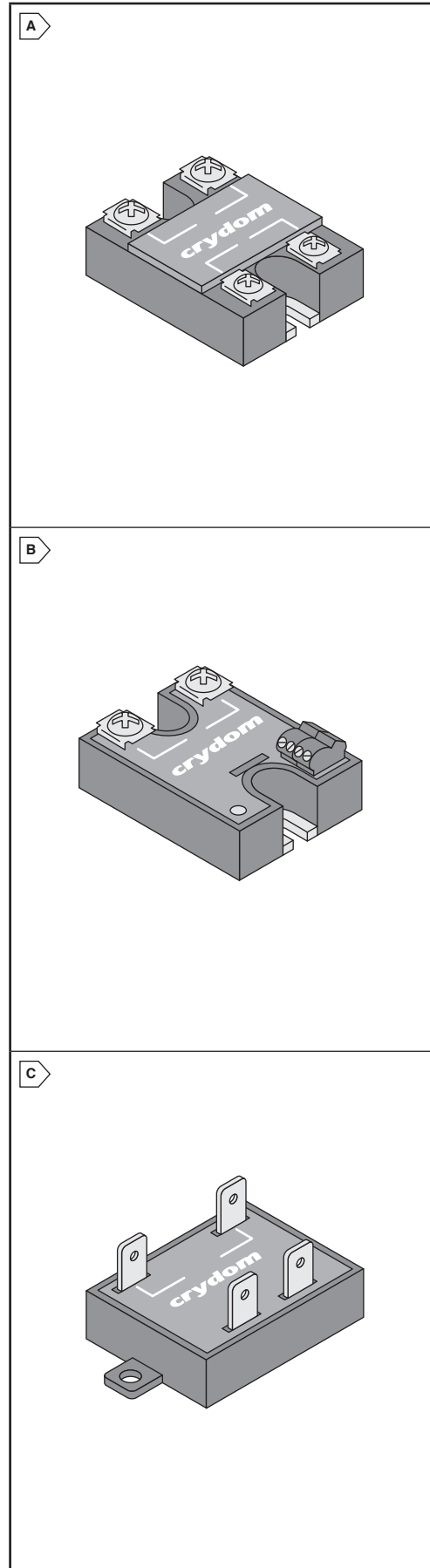
MOUSER STOCK NO.	Crydom Part No.	Fig.	Control Voltage	Control Current @ 5VDC (mA DC)	Price Each		
					1	10	25
558-EZ240D12	EZ240D12	C	3-15	15	35.14	33.49	32.72
558-EZ240D18	EZ240D18	C	3-15	15	35.50	33.83	33.05
558-EZ240D18R	EZ240D18R	C	3-15	15	38.83	34.62	34.12
558-EZ240A18S	EZ240A18S	C	90-140	10	38.77	36.95	36.66

## CRYDOM PROTECTIVE COVER



For quantities greater than listed, call for quote.

MOUSER STOCK NO.	Crydom Part No.	Description	Price Each		
			1	10	25
558-KS-100	KS-100	1 Series Pkgs.	3.78	3.60	3.52



Solid State Relays Crydom