

COTO Reed Relays



MICROMINIATURE REED RELAY

DIMENSIONS: in. (mm)

Specifications:

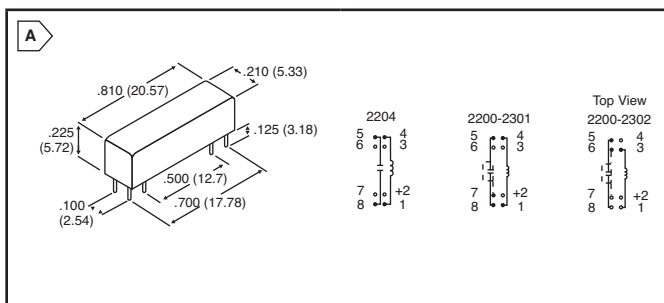
- Storage Temp: -35°C to +100°C
- Operating Temp: -20°C to +85°C
- Solder Temp: 270°C max; 10 sec. max
- Vibration: 20G's to 2000Hz; Shock: 50G's

Features:

- High Insulation Resistance
- High Speed Switching
- Very Small (0.17")
- High Reliability

For quantities greater than listed, call for quote.

MOUSER STOCK NO.	Coto Part No.	Fig.	Circuit	Coil Voltage DC	Switching Current	Carry Current (A)	Price Each			
							1	10	50	100
816-2200-2301	2200-2301	A	SPST	5	0.5	1	8.10	7.69	7.34	6.72
816-2200-2302	2200-2302	A	SPST	5	0.5	1	8.31	7.89	7.52	6.88
816-2204-05-401	2204-05-401	A	SPST	5	0.5	1	6.02	5.73	5.46	5.00
816-2204-05-411	2204-05-411	A	SPST	5	0.5	1	7.54	7.16	6.83	6.29



MICROMINIATURE FORM C REED RELAY

Specifications:

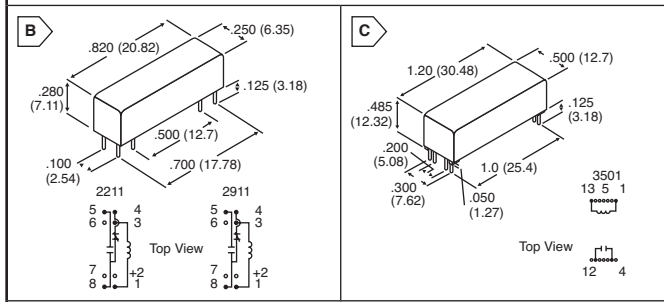
- Storage Temp: -35°C to +100°C
- Operating Temp: -20°C to +85°C
- Solder Temp: 270°C max; 10 sec. max
- Vibration: 20G's to 2000Hz; Shock: 50G's

Features:

- High Insulation Resistance
- High Speed Switching
- Very Small (0.20")
- High Reliability

For quantities greater than listed, call for quote.

MOUSER STOCK NO.	Coto Part No.	Fig.	Circuit	Coil Voltage DC	Switching Current	Carry Current (A)	Price Each			
							1	10	50	100
816-2211-05-301	2211-05-301	A	SPDT	5	0.25	0.5	12.62	10.51	9.69	9.01
816-2211-12-301	2211-12-301	A	SPDT	12	0.25	0.5	12.86	11.69	10.71	9.69
816-2911-05-301	2911-05-301	B	SPDT	5	0.25	1	9.59	9.11	8.67	7.97
816-2911-05-311	2911-05-311	B	SPDT	5	0.25	1	11.13	10.58	9.53	8.10
816-2911-05-321	2911-05-321	B	SPDT	5	0.25	1	13.72	12.01	10.85	9.74
816-2911-12-311	2911-12-311	B	SPDT	12	0.25	1	12.00	11.38	10.84	9.95
816-2911-12-321	2911-12-321	B	SPDT	12	0.25	1	12.65	12.03	11.47	10.50



LOW THERMAL EMF REED RELAY

Specifications:

- Storage Temp: -35°C to +100°C
- Operating Temp: -20°C to +85°C
- Solder Temp: 270°C max; 10 sec. max
- Vibration: 20G's to 2000Hz; Shock: 50G's

Features:

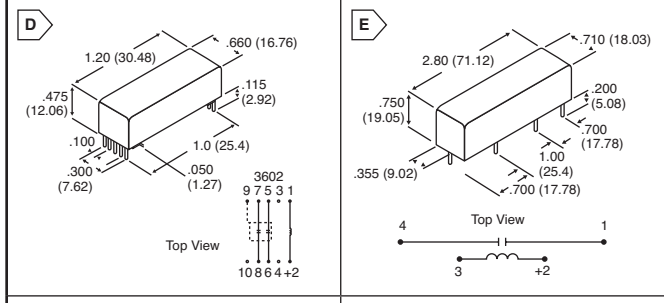
- High Insulation Resistance: 10Ω
- Control/ Signal Isolation of 1500VDC
- Low Power Coils To Ensure Low Thermal EMF
- Patented Low Thermal Design



RoHS Compliant

For quantities greater than listed, call for quote.

MOUSER STOCK NO.	Coto Part No.	Fig.	Circuit	Coil Voltage DC	Switching Current	Carry Current (A)	Price Each			
							1	10	50	100
816-3501-05-511	3501-05-511	C	SPST	5	0.5	1.5	18.73	17.82	16.92	15.91
816-3602-05-52	3602-05-52	D	DPST	5	0.25	1.5	17.39	16.46	14.77	13.93



HIGH VOLTAGE REED RELAY

Specifications:

- Storage Temp: -35°C to +100°C
- Operating Temp: -20°C to +85°C
- Solder Temp: 270°C max; 10 sec. max
- Vibration: 20G's to 2000Hz; Shock: 50G's

Features:

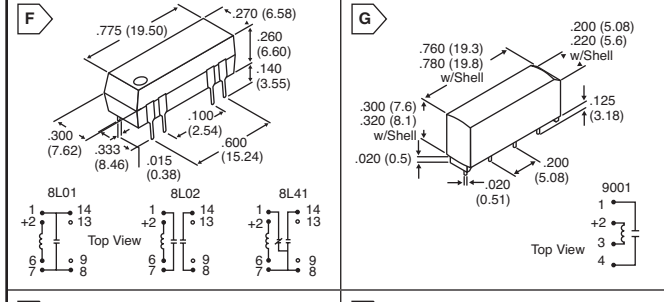
- High Dielectric Strength
- High Contact Rating: 200 Watts
- Low Contact Resistance: 0.03Ω typical
- Magnetic Shield Standard



RoHS Compliant

For quantities greater than listed, call for quote.

MOUSER STOCK NO.	Coto Part No.	Fig.	Circuit	Coil Voltage DC	Switching Current	Carry Current (A)	Price Each			
							1	10	50	100
816-5501-05-1	5501-05-1	E	SPST	5	3.0	5	30.71	27.87	26.14	22.67
816-5501-12-1	5501-12-1	E	SPST	12	3.0	5	22.53	20.04	19.62	19.21
816-5501-24-1	5501-24-1	E	SPST	24	3.0	5	28.20	26.94	26.24	24.65



SPARTAN DIP RELAY

Specifications:

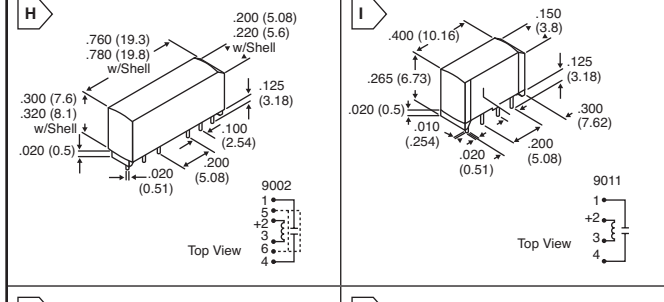
- Storage Temp: -35°C to +100°C
- Operating Temp: -20°C to +85°C
- Vibration: 20G's to 2000Hz; Shock: 50G's

Features:

- Available Coils in 5V, 12V, 24V
- Molded Thermoset Body On Integral Lead Frame Design
- Drop-In Low Cost Replacement For Standard DIP Packages

For quantities greater than listed, call for quote.

MOUSER STOCK NO.	Coto Part No.	Fig.	Circuit	Coil Voltage DC	Switching Current	Carry Current (A)	Price Each			
							1	10	50	100
816-8L01-05-011	8L01-05-011	F	SPST	5	0.5	1	1.88	1.72	1.65	1.53
816-8L01-05-111	8L01-05-111	F	SPST	5	0.5	1	2.43	2.36	2.21	2.14
816-8L01-12-001	8L01-12-001	F	SPST	12	0.5	1	1.39	1.29	1.24	1.12
816-8L01-12-101	8L01-12-101	F	SPST	12	0.5	1	1.31	1.25	1.20	1.16
816-8L01-12-111	8L01-12-111	F	SPST	12	0.5	1	1.95	1.86	1.76	1.67
816-8L02-05-00	8L02-05-00	F	DPST	5	0.5	1	2.95	2.42	2.09	1.99
816-8L02-05-01	8L02-05-01	F	DPST	5	0.5	1	2.99	2.74	2.66	2.46
816-8L02-05-11	8L02-05-11	F	DPST	5	0.5	1	3.93	3.75	3.64	3.43
816-8L02-12-00	8L02-12-00	F	DPST	12	0.5	1	2.90	2.76	2.63	2.43
816-8L02-12-11	8L02-12-11	F	DPST	12	0.5	1	3.93	3.75	3.64	3.43
816-8L41-05-001	8L41-05-001	F	SPDT	5	0.25	0.5	4.04	3.87	3.78	3.59
816-8L41-05-101	8L41-05-101	F	SPDT	5	0.25	0.5	4.29	4.08	3.89	3.64
816-8L41-05-111	8L41-05-111	F	SPDT	5	0.25	0.5	3.88	3.75	3.66	3.50
816-8L41-12-011	8L41-12-011	F	SPDT	12	0.25	0.5	3.88	3.76	3.62	3.45
816-8L41-12-101	8L41-12-101	F	SPDT	12	0.25	0.5	4.72	4.53	4.44	3.64
816-8L41-12-111	8L41-12-111	F	SPDT	12	0.25	0.5	3.66	3.52	3.40	3.32



SIP REED RELAY

Specifications:

- Storage Temp: -35°C to +100°C
- Operating Temp: -20°C to +85°C
- Vibration: 20G's to 2000Hz; Shock: 50G's

Features:

- Magnetic Shielding Reduces Interaction
- High Speed Switching
- UL File # E67117
- 9012 is the smallest 10W SIP Relay
- 9011 is the smallest 3W SIP Relay
- 9091 is a 10W SIP Relay



RoHS Compliant

For quantities greater than listed, call for quote.

MOUSER STOCK NO.	Coto Part No.	Fig.	Circuit	Coil Voltage DC	Switching Current	Carry Current (A)	Price Each			
							1	10	50	100
816-9001-05-00	9001-05-00	G	SPST	5	0.5	1.5	2.63	2.50	2.38	2.18
816-9001-12-00	9001-12-00	G	SPST	12	0.5	1.5	2.37	2.26	2.15	1.97
816-9002-05-00	9002-05-00	H	SPST	5	0.5	1.5	3.41	3.25	3.11	2.83
816-9002-05-01	9002-05-01	H	SPST	5	0.5	1.5	3.20	3.04	2.89	2.64
816-9011-05-10	9011-05-10	I	SPST	5	0.25	0.5	4.91	4.67	4.43	4.08
816-9012-05-10	9012-05-10	J	SPST	5	0.5	1.5	4.00	3.80	3.61	3.32
816-9091-05-00	9091-05-00	K	SPST	5	0.5	1.5	2.95	2.80	2.67	2.44

