

# OMRON Power PCB Relays

## OMRON G6M SERIES: SIL PACKAGE POWER PCB RELAYS

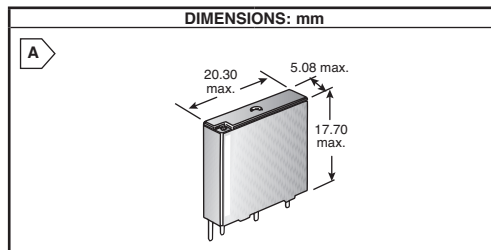
- Specifications:**
- Rated load: 3A @ 250VAC/30VDC
  - Power consumption: 120mW

- Features:**
- Fully sealed
  - Reduced area is ideal for high density mounting.



For quantities greater than listed, call for quote.

MOUSER STOCK NO.	Omron Part No.	Fig.	Contact Form	Rated Current (mA)	Coil Resistance (Ω)	Coil Voltage (VDC)	Price Each			
							1	25	50	100
653-G6M-1A-DC5	G6M-1A-DC5	A1	SPST-NO	24.0	208	5	4.15	3.77	3.46	3.19
653-G6M-1A-DC12	G6M-1A-DC12	A1	SPST-NO	10.0	1200	12	4.97	4.51	4.14	3.82
653-G6M-1A-DC24	G6M-1A-DC24	A1	SPST-NO	5.0	4800	24	6.23	5.82	5.28	4.75



## OMRON G6RL SERIES: LOW PROFILE POWER PCB RELAYS

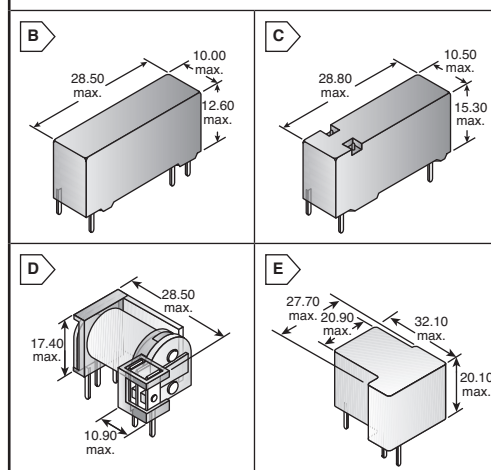
- Specifications:**
- Rated load: 10A @ 250VAC, NO 8A @ 250VAC / 5A @ 30VDC, NC 8A @ 250VAC / 5A @ 24VDC, NC 1(A), 1(A)4-ASI

- Features:**
- Max. switching capacity: 2500VA (NO)
  - Clearance and creepage distance: 10mm
  - Applications: Boilers, PLCs, I/O ports, timers



For quantities greater than listed, call for quote.

MOUSER STOCK NO.	Omron Part No.	Fig.	Contact Form	Rated Current (mA)	Coil Resistance (Ω)	Coil Voltage (VDC)	Price Each			
							1	25	50	100
<b>Flux Protected, AgSnIn Contacts</b>										
653-G6RL-1A-ASIDC24	G6RL-1A-ASI DC24	B2	SPST-NO	9.2	2618	24	3.65	3.28	2.91	2.63
653-G6RL-1-ASIDC12	G6RL-1-ASI DC12	B3	SPDT	18.3	654	12	3.58	3.22	2.86	2.58
<b>Flux Protected, AgNi Contacts</b>										
653-G6RL-1A-DC3	G6RL-1A-DC3	B2	SPST-NO	73.3	40	3	3.38	3.08	2.74	2.46
653-G6RL-1A-DC5	G6RL-1A-DC5	B2	SPST-NO	44.0	113	5	3.32	3.02	2.74	2.46
653-G6RL-1A-DC12	G6RL-1A-DC12	B2	SPST-NO	18.3	654	12	3.32	3.02	2.74	2.46
653-G6RL-1A-DC24	G6RL-1A-DC24	B2	SPST-NO	9.2	2618	24	3.43	3.08	2.74	2.46
653-G6RL-1-DC5	G6RL-1 DC5	B3	SPDT	44.0	113	5	2.86	2.60	2.38	2.20
653-G6RL-1-DC12	G6RL-1-DC12	B3	SPDT	18.3	654	12	3.13	2.68	2.45	2.27
653-G6RL-1-DC24	G6RL-1-DC24	B3	SPDT	9.2	2618	24	3.53	3.17	2.82	2.54
<b>Fully Sealed, AgSnIn Contacts</b>										
653-G6RL-1A4-ASIDC5	G6RL-1A4-ASI DC5	B2	SPST-NO	44.0	113	5	3.28	2.98	2.73	2.46
653-G6RL-1A4-ASIDC24	G6RL-1A4-ASI DC24	B2	SPST-NO	9.2	2618	24	3.46	3.15	2.87	2.59
653-G6RL-14-ASIDC5	G6RL-14-ASI DC5	B3	SPDT	44.0	113	5	4.12	3.74	3.44	3.17
653-G6RL-14-ASIDC12	G6RL-14-ASI DC12	B3	SPDT	18.3	654	12	3.51	3.20	2.92	2.71
653-G6RL-14-ASIDC24	G6RL-14-ASI DC24	B3	SPDT	9.2	2618	24	3.04	2.76	2.53	2.38



## OMRON G6RN SERIES: HEAVY-DUTY, MINIATURE POWER PCB RELAYS

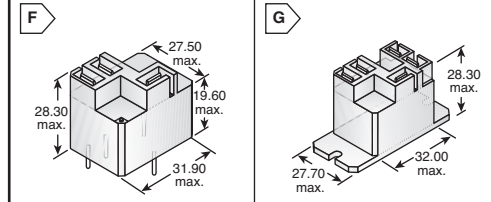
- Specifications:**
- Rated load: 8A @ 250VAC / 5A @ 30VDC
  - Contact material: Ag alloy + gold plating

- Features:**
- Sealed plastic construction
  - Ideal for switching contactors, solenoids and motors



For quantities greater than listed, call for quote.

MOUSER STOCK NO.	Omron Part No.	Fig.	Contact Form	Rated Current (mA)	Coil Resistance (Ω)	Coil Voltage (VDC)	Price Each			
							1	25	50	100
653-G6RN-1A-DC5	G6RN-1A-DC5	C4	SPST-NO	43.9	114	5	3.42	3.08	2.73	2.46
653-G6RN-1A-DC12	G6RN-1A-DC12	C4	SPST-NO	18.3	655	12	4.50	4.05	3.59	3.24
653-G6RN-1A-DC24	G6RN-1A DC24	C4	SPST-NO	9.2	2620	24	4.81	4.32	3.84	3.46
653-G6RN-1-DC5	G6RN-1-DC5	C5	SPDT	43.9	114	5	3.12	2.66	2.55	2.40
653-G6RN-1-DC12	G6RN-1-DC12	C5	SPDT	18.3	655	12	2.95	2.43	2.32	2.23
653-G6RN-1-DC24	G6RN-1-DC24	C5	SPDT	9.2	2620	24	3.63	3.27	2.90	2.61
653-G6RN-1-DC48	G6RN-1-DC48	C5	SPDT	5.2	9210	48	3.58	3.20	2.94	2.71



## OMRON G8PT SERIES: HEAVY-DUTY, COMPACT POWER PCB RELAYS

- Specifications:**
- Rated load: 30A @ 250VAC / 20A @ 28VDC SPST-NO 20(10A) @ 250VAC / 28VDC SPDT NO(NC)
  - Contact material: Ag alloy

- Features:**
- Up to 30A switching capacity in compact package
  - UL Class F coil insulation standard
  - Minimum 6kV impulse surge withstand



For quantities greater than listed, call for quote.

MOUSER STOCK NO.	Omron Part No.	Fig.	Contact Form	Rated Current (mA)	Coil Resistance (Ω)	Coil Voltage (VDC)	Price Each			
							1	25	50	100
<b>Open Frame, PCB Terminals</b>										
653-G8P-1AP-DC5	G8P-1AP-DC5	D6	SPST-NO	185.0	27	5	2.16	1.97	1.80	1.66
653-G8P-1APDC9	G8P-1AP DC9	D6	SPST-NO	93.0	97	9	2.60	2.37	2.17	2.00
653-G8P-1AP-DC12	G8P-1AP-DC12	D6	SPST-NO	77.0	155	12	2.90	2.36	2.28	2.14
653-G8P-1AP-DC24	G8P-1AP-DC24	D6	SPST-NO	36.0	660	24	3.45	3.18	2.90	2.67
<b>Sealed with Ventable Nib, PCB Terminals</b>										
653-G8P-1A4P-DC5	G8P-1A4P-DC5	E7	SPST-NO	185.0	27	5	4.10	3.34	3.22	3.01
653-G8P-1A4PDC9BYOMZ	G8P-1A4P DC9	E7	SPST-NO	93.0	97	9	2.55	2.33	2.13	1.97
653-G8P-1A4P-DC12	G8P-1A4P-DC12	E7	SPST-NO	77.0	155	12	3.50	2.83	2.75	2.56
653-G8P-1A4PDC15	G8P-1A4P DC15	E7	SPST-NO	59.0	256	15	2.51	2.29	2.10	1.94
653-G8P-1A4P-DC18	G8P-1A4P-DC18	E7	SPST-NO	47.0	380	18	3.45	3.01	2.85	2.64
653-G8P-1A4P-DC24	G8P-1A4P-DC24	E7	SPST-NO	36.0	660	24	3.34	3.26	3.21	2.98
* 653-G8P1A4PVD241	G8P-1A4P-V DC24	E7	SPST-NO	36.0	660	24	2.87	2.61	2.39	2.28
653-G8P-1A4P-DC110	G8P-1A4P-DC110	E7	SPST-NO	9.0	12400	110	3.68	3.35	3.07	2.84
653-G8P-1C4P-DC5	G8P-1C4P-DC5	E7	SPDT	185.0	27	5	3.51	2.85	2.75	2.57
653-G8P-1C4P-DC12	G8P-1C4P-DC12	E7	SPDT	77.0	155	12	2.98	2.84	2.77	2.55
* 653-G8P1C4PVD121	G8P-1C4P-V DC12	E7	SPDT	77.0	155	12	4.13	3.91	3.79	3.68
* 653-G8P1C4PVD181	G8P-1C4P-V DC18	E7	SPDT	47.0	380	18	3.10	2.76	2.53	2.34
653-G8P-1C4P-DC24	G8P-1C4P-DC24	E7	SPDT	36.0	660	24	2.97	2.78	2.51	2.31
653-G8P-1C4P-DC48	G8P-1C4P-DC48	E7	SPDT	19.0	2480	48	3.25	3.07	2.86	2.67
<b>Sealed with Ventable Nib, PCB and QC #250 Load Terminals</b>										
653-G8P-1A4TP-DC12	G8P-1A4TP-DC12	F6	SPST-NO	77.0	155	12	2.92	2.75	2.59	2.45
653-G8P-1A4TP-DC18	G8P-1A4TP-DC18	F6	SPST-NO	47.0	380	18	3.18	2.89	2.65	2.44
653-G8P-1A4TP-DC24	G8P-1A4TP-DC24	F6	SPST-NO	36.0	660	24	4.89	4.39	3.90	3.51
653-G8P-1C4TP-DC12	G8P-1C4TP-DC12	F6	SPDT	77.0	155	12	3.58	3.38	3.14	2.83
653-G8P-1C4TP-DC24	G8P-1C4TP-DC24	F6	SPDT	36.0	660	24	3.78	3.36	3.15	2.94
<b>Vented, Flange Mount with QC #187 Terminals</b>										
653-G8P-1A2T-F-DC5	G8P-1A2T-F-DC5	G8	SPST-NO	185.0	27	5	2.93	2.66	2.44	2.26
653-G8P-1A2T-F-DC12	G8P-1A2T-F-DC12	G8	SPST-NO	77.0	155	12	4.21	3.69	3.47	3.12
653-G8P-1A2T-F-DC24	G8P-1A2T-F-DC24	G8	SPST-NO	36.0	660	24	3.70	3.61	3.45	3.31
653-G8P-1C2T-FDC5	G8P-1C2T-F DC5	G8	SPDT	185.0	27	5	3.99	3.63	3.32	3.06
653-G8P-1C2T-F-DC12	G8P-1C2T-F-DC12	G8	SPDT	77.0	155	12	3.60	3.38	3.22	2.94
653-G8P-1C2T-F-DC24	G8P-1C2T-F-DC24	G8	SPDT	36.0	660	24	4.20	3.97	3.53	3.17

