

OMRON Power PCB Relays



RoHS Compliant This product is RoHS compliant.

OMRON G6B SERIES: SWITCHING, SUBMINIATURE POWER PCB RELAYS

Specifications:

- Rated load: 5A @ 250VAC/30VDC
- 8A @ 250VAC/30VDC for High-Capacity
- Contact material: Ag alloy
- Terminals: PCB straight

Features:

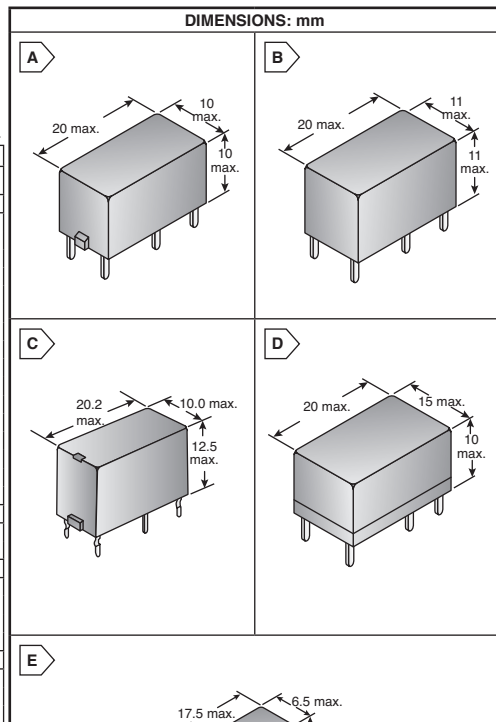
- Low power consumption: 200mW
- Unique moving loop armature reduces relay size, magnetic interference, and contact bounce time
- Fully sealed construction



*Reverse coil polarity **Contact material: AgSnltn

For quantities greater than listed, call for quote.

MOUSER STOCK NO.	Omron Part No.	Fig.	Contact Form	Rated Current (mA)	Coil Resistance (Ω)	Coil Voltage (VDC)	Price Each			
							1	25	50	100
Non-Latching										
653-G6B-1114P-DC5	G6B-1114P-US-DC5	A1	SPST-NO	40.0	125.0	5	4.11	3.92	3.66	3.52
653-G6B-1114PUSDC6	G6B-1114P-US-DC6	A1	SPST-NO	33.3	180.0	6	5.04	4.52	4.02	3.62
653-G6B-1114P-DC12	G6B-1114P-US-DC12	A1	SPST-NO	16.7	720.0	12	4.67	4.43	4.37	4.18
*653-G6B1114P1-DC12	G6B-1114P-1-US-DC12	A1	SPST-NO	16.7	720.0	12	4.86	4.41	4.05	3.74
653-G6B-1114P-DC24	G6B-1114P-US-DC24	A1	SPST-NO	8.3	2880.0	24	4.86	4.45	4.07	3.67
*653-G6B-1114P-1-DC24	G6B-1114P-1-US-DC24	A1	SPST-NO	8.3	2880.0	24	5.27	4.79	4.39	4.01
**653-G6B1114PFDUSDC24	G6B-1114P-FD-US-DC24	A1	SPST-NO	8.3	2880.0	24	6.26	5.70	5.22	5.05
*653-G6B-2114P-1USDC5	G6B-2114P-1-US DC5	B2	SPST-NO+SPST-NC	40.0	125.0	5	6.64	5.98	5.31	4.78
*653-G6B-2114P-DC6	G6B-2114P-US-DC6	B2	SPST-NO+SPST-NC	33.3	180.0	6	6.00	5.60	5.00	4.50
*653-G6B2114P1USDC12	G6B-2114P-1-US-DC12	B2	SPST-NO+SPST-NC	16.7	720.0	12	5.74	5.41	4.98	4.78
*653-G6B-2114P1-DC24	G6B-2114P-1-US-DC24	B2	SPST-NO+SPST-NC	8.3	2880.0	24	8.44	7.94	7.63	7.35
653-G6B-2214P-DC5	G6B-2214P-US-DC5	B3	DPST-NO	60.0	83.3	5	6.44	5.80	5.15	4.64
653-G6B-2214P-DC12	G6B-2214P-US-DC12	B3	DPST-NO	25.0	480.0	12	5.00	4.80	4.68	4.47
653-G6B-2214P-DC24	G6B-2214P-US-DC24	B3	DPST-NO	12.5	1920.0	24	6.74	6.05	5.38	4.84
*653-G6B2214P1USDC24	G6B-2214P-1-US DC24	B3	DPST-NO	12.5	1920.0	24	7.91	7.22	6.61	6.09
653-G6B-2014P-USDC5	G6B-2014P-US-DC5	B4	DPST-NC	60.0	83.3	5	6.06	5.51	5.05	4.67
Dual-Coil Latching										
653-G6BK-1114P-DC5	G6BK-1114P-US-DC5	A5	SPST-NO	56.0	89.2	5	6.48	6.06	5.81	5.56
653-G6BK-1114US-DC12	G6BK-1114P-US-DC12	A5	SPST-NO	23.3	515.0	12	7.62	6.93	6.36	5.86
High-Capacity, Non-Latching										
653-G6B-1174P-DC5	G6B-1174P-US-DC5	C1	SPST-NO	60.0	83.3	5	6.34	6.03	5.35	5.21
653-G6B-1174P-DC12	G6B-1174P-US-DC12	C1	SPST-NO	16.7	720.0	12	5.34	5.04	4.48	4.29
653-G6B-1174P-DC24	G6B-1174P-US-DC24	C1	SPST-NO	8.3	2880.0	24	5.53	5.22	4.64	4.18
**653-G6B1174PFDUSDC24	G6B-1174P-FD-US-DC24	C1	SPST-NO	8.3	2880.0	24	10.36	9.32	8.28	7.45
Sockets for G6B Series										
653-P6B-04P	P6B-04P					G6B-1114P, G6B-1174P	2.38	2.14	1.90	1.71
653-P6B-06P	P6B-06P					G6BK-1114P	2.20	2.13	2.00	1.94
653-P6B-26P	P6B-26P					G6B-2114P, G6B-2214P	1.90	1.84	1.78	1.73



OMRON G6C SERIES: SUBMINIATURE POWER PCB RELAYS

Specifications:

- Rated load: 10A @ 250VAC/30VDC SPST-NO
- 8A @ 250VAC/30VDC SPST-NO+SPST-NC
- Terminals: PCB straight

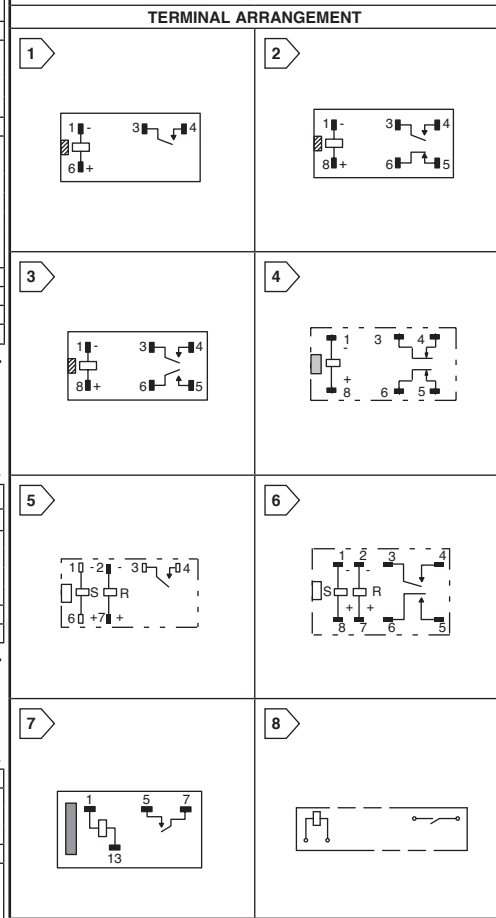
Features:

- Low power consumption: 200mW
- Unique moving loop armature reduces interference and contact bounce



For quantities greater than listed, call for quote.

MOUSER STOCK NO.	Omron Part No.	Fig.	Contact Form	Rated Current (mA)	Coil Resistance (Ω)	Coil Voltage (VDC)	Price Each			
							1	25	50	100
Non-Latching, Semi-sealed										
653-G6C-1117PUS-DC24	G6C-1117P-US-DC24	D1	SPST-NO	8.3	2880.0	24	6.92	6.29	5.77	5.32
653-G6C-2117P-US-DC5	G6C-2117P-US-DC5	D2	SPST-NO+SPST-NC	40.0	125.0	5	6.07	5.53	5.06	4.67
653-G6C-2117PUSDC8	G6C-2117P-US DC8	D2	SPST-NO+SPST-NC	25.0	320.0	8	7.90	7.18	6.58	6.08
653-G6C-2117P-DC12	G6C-2117P-US-DC12	D2	SPST-NO+SPST-NC	16.7	720.0	12	6.18	5.63	5.11	4.75
Non-Latching, Fully Sealed										
653-G6C-1114P-DC5	G6C-1114P-US-DC5	D1	SPST-NO	40.0	125.0	5	7.50	6.81	6.25	5.78
653-G6C-1114P-DC12	G6C-1114P-US-DC12	D1	SPST-NO	16.7	720.0	12	4.81	4.52	4.32	4.13
653-G6C-1114P-DC24	G6C-1114P-US-DC24	D1	SPST-NO	8.3	2880.0	24	6.36	5.41	4.71	4.52
653-G6C-2114P-US-DC3	G6C-2114P-US-DC3	D2	SPST-NO+SPST-NC	67.0	45.0	3	6.97	6.34	5.81	5.36
653-G6C-2114P-DC5	G6C-2114P-US-DC5	D2	SPST-NO+SPST-NC	40.0	125.0	5	6.45	6.05	5.76	5.53
653-G6C-2114P-DC12	G6C-2114P-US-DC12	D2	SPST-NO+SPST-NC	16.7	720.0	12	6.58	6.18	5.88	5.64
653-G6C-2114P-DC24	G6C-2114P-US-DC24	D2	SPST-NO+SPST-NC	8.3	2880.0	24	7.82	7.33	7.01	6.71
Dual-Coil Latching, Fully Sealed										
653-G6CK-2114P-DC5	G6CK-2114P-US-DC5	D6	SPST-NO+SPST-NC	56.0	89.3	5	8.81	8.01	7.34	6.78
Sockets for G6C Series										
653-P6C-06P	P6C-06P					G6C-1114P, G6C-2114P, G6C-1117, G6C-2117P	2.94	2.68	2.38	2.22



OMRON G6D-ASI SERIES: SLIM POWER PCB RELAYS

Specifications:

- Rated load: 5A @ 250VAC/30VDC
- Terminals: PCB straight

Features:

- Reduced board space ideal for high-density mounting
- Sealed construction allows automatic soldering and cleaning



For quantities greater than listed, call for quote.

MOUSER STOCK NO.	Omron Part No.	Fig.	Contact Form	Rated Current (mA)	Coil Resistance (Ω)	Coil Voltage (VDC)	Price Each			
							1	25	50	100
653-G6D1A-ASI-DC5	G6D-1A-ASI-DC5	E7	SPST-NO	40.0	125.0	5	4.84	4.52	4.08	3.51
653-G6D1A-ASI-DC12	G6D-1A-ASI-DC12	E7	SPST-NO	16.7	720.0	12	5.66	4.60	4.44	4.16
653-G6D1A-ASI-DC24	G6D-1A-ASI-DC24	E7	SPST-NO	8.3	2880.0	24	6.74	6.05	5.36	4.82
*653-G6D1AASINPC24	G6D-1A-ASI-NP DC24	E7	SPST-NO	8.3	2880.0	24	8.73	7.36	6.54	5.88
Sockets for G6D Series										
653-P6D-04P	P6D-04P					G6D	2.87	2.80	2.70	2.58

OMRON G6DS SERIES: SLIM, MINIATURE POWER PCB RELAYS

Specifications:

- Rated load: 5A @ 250VAC/30VDC
- Power consumption: 180mW (120mW High-Sensitivity)

Features:

- Fully sealed
- Ideal for high-density mounting



For quantities greater than listed, call for quote.

Standard										
MOUSER STOCK NO.	Omron Part No.	Fig.	Contact Form	Rated Current (mA)	Coil Resistance (Ω)	Coil Voltage (VDC)	Price Each			
							1	25	50	100
653-G6DS-1A-DC5	G6DS-1A-DC5	D8	SPST-NO	36.0	139.0	5	6.46	6.12	5.44	4.89
653-G6DS-1A-DC12	G6DS-1A-DC12	D8	SPST-NO	15.0	800.0	12	5.68	5.11	4.54	4.08
653-G6DS-1A-DC24	G6DS-1A-DC24	D8	SPST-NO	7.5	3200.0	24	5.98	5.65	5.02	4.52
High-Sensitivity										
653-G6DS-1A-H-DC5	G6DS-1A-H-DC5	D8	SPST-NO	24.0	208.0	5	6.68	6.07	5.48	4.93
653-G6DS-1A-H-DC12	G6DS-1A-H-DC12	D8	SPST-NO	10.0	1200.0	12	5.58	5.07	4.64	4.26
653-G6DS-1A-H-DC24	G6DS-1A-H-DC24	D8	SPST-NO	5.0	4800.0	24	7.19	6.53	5.99	5.53