

# OMRON Power PCB Relays



RoHS Compliant This product is RoHS compliant.

## OMRON G2RL SERIES: LOW PROFILE POWER PCB RELAYS

**Specifications:**

- Rated load: 12A @ 250VAC/24VDC GP 1-Pole  
8A @ 250VAC/30VDC GP 2-Pole  
16A @ 250VAC/30VDC High-Capacity  
10A @ 250VAC/24VDC High-Sensitivity
- Contact material: Ag alloy (Cd free)

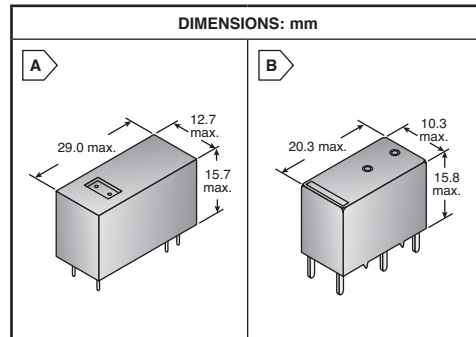
**Features:**

- Designed for cooking and HVAC controls: blower motor, damper, active air purification, duct flow boost fans, etc.
- Coil insulation system: Class F
- Clearance and creepage distance: 10mm/10mm
- Tracking resistance: C1I-250

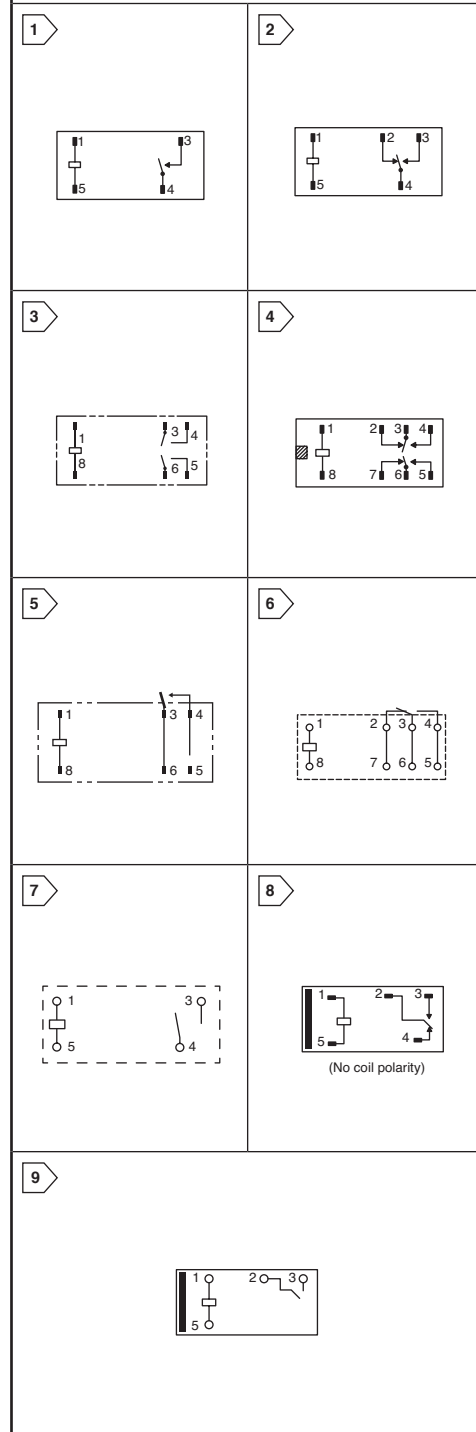


For quantities greater than listed, call for quote.

MOUSER STOCK NO.	Omron Part No.	Fig.	Contact Form	Rated Current (mA)	Coil Resistance (Ω)	Coil Voltage (VDC)	Price Each			
							1	25	50	100
<b>General Purpose, Flux Protected</b>										
653-G2RL-1A-DC5	G2RL-1A-DC5	A1	SPST-NO	80.00	62.5	5	2.54	2.27	2.02	1.82
653-G2RL-1A-DC12	G2RL-1A-DC12	A1	SPST-NO	33.30	360.0	12	2.45	2.23	2.02	1.82
653-G2RL-1A-DC24	G2RL-1A-DC24	A1	SPST-NO	16.70	1440.0	24	2.38	2.18	2.00	1.88
653-G2RL-1-DC12	G2RL-1-DC12	A2	SPDT	33.30	360.0	12	2.64	2.37	2.14	1.99
653-G2RL-1-DC24	G2RL-1-DC24	A2	SPDT	16.70	1440.0	24	1.85	1.68	1.54	1.42
653-G2RL-2A-DC24	G2RL-2A-DC24	A3	DPST-NO	16.70	1440.0	24	3.41	3.06	2.72	2.32
653-G2RL-2-DC5	G2RL-2-DC5	A4	DPDT	80.00	62.5	5	2.78	2.53	2.33	2.09
653-G2RL-2-DC12	G2RL-2-DC12	A4	DPDT	33.30	360.0	12	3.73	3.35	2.97	2.53
653-G2RL-2-DC24	G2RL-2-DC24	A4	DPDT	16.70	1440.0	24	2.79	2.53	2.33	2.15
<b>General Purpose, Fully Sealed</b>										
653-G2RL-1A4-DC12	G2RL-1A4-DC12	A1	SPST-NO	33.30	360.0	12	2.36	2.14	1.96	1.77
653-G2RL-14-DC5	G2RL-14-DC5	A2	SPDT	80.00	62.5	5	2.47	2.32	2.16	2.12
653-G2RL-14-DC12	G2RL-14-DC12	A2	SPDT	33.30	360.0	12	2.93	2.39	2.31	2.16
653-G2RL-14-DC24	G2RL-14-DC24	A2	SPDT	16.70	1440.0	24	2.96	2.72	2.49	2.08
653-G2RL-14DC48	G2RL-14 DC48	A2	SPDT	8.96	5358.0	48	3.26	2.93	2.60	2.34
653-G2RL-2A4-DC24	G2RL-2A4-DC24	A3	DPST-NO	16.70	1440.0	24	4.21	3.78	3.37	2.86
653-G2RL-24-DC5	G2RL-24-DC5	A4	DPDT	80.00	62.5	5	4.04	3.28	3.16	2.96
653-G2RL-24-DC12	G2RL-24-DC12	A4	DPDT	33.30	360.0	12	3.12	2.59	2.45	2.30
653-G2RL-24-DC24	G2RL-24-DC24	A4	DPDT	16.70	1440.0	24	3.58	3.40	3.18	3.04
<b>High-Capacity, Flux Protected</b>										
653-G2RL-1A-E-DC12	G2RL-1A-E-DC12	A5	SPST-NO	33.30	360.0	12	2.96	2.67	2.38	2.14
653-G2RL-1A-E-CFDC9	G2RL-1A-E-CF DC9	A5	SPST-NO	44.40	202.5	9	2.28	2.06	1.88	1.83
653-G2RL-1-E-DC5	G2RL-1-E-DC5	A6	SPDT	80.00	62.5	5	2.49	2.27	2.07	1.92
653-G2RL-1-E-DC12	G2RL-1-E-DC12	A6	SPDT	33.30	360.0	12	2.05	1.87	1.71	1.61
653-G2RL-1-E-DC24	G2RL-1-E-DC24	A6	SPDT	16.70	1440.0	24	3.29	2.95	2.62	2.36
653-G2RL-1-E-DC48	G2RL-1-E DC48	A6	SPDT	8.96	5358.0	48	2.44	2.22	2.04	1.88
<b>High-Capacity, Fully Sealed</b>										
653-G2RL-1A4-E-DC12	G2RL-1A4-E-DC12	A5	SPST-NO	33.30	360.0	12	2.56	2.39	2.31	2.26
653-G2RL-1A4E-DC24	G2RL-1A4-E-CF-DC24	A5	SPST-NO	16.70	1440.0	24	4.38	3.93	3.50	2.97
653-G2RL-14-E-DC5	G2RL-14-E-DC5	A6	SPDT	80.00	62.5	5	3.37	3.06	2.81	2.59
653-G2RL-14-E-DC12	G2RL-14-E-DC12	A6	SPDT	33.30	360.0	12	2.89	2.62	2.40	2.16
653-G2RL-14-E-DC24	G2RL-14-E DC24	A6	SPDT	16.70	1440.0	24	2.57	2.34	2.15	2.03
<b>High-Sensitivity, Flux Protected</b>										
653-G2RL1HDC5	G2RL-1-H-DC5	A2	SPDT	50.00	100.0	5	2.64	2.41	2.21	2.04



**TERMINAL ARRANGEMENT**



## OMRON G5RL SERIES: 16A POWER PCB RELAYS

**Specifications:**

- Rated load: SPST-NO 16A @ 250VAC/24VDC  
SPDT 5A @ 250VAC/24VDC
- Contact material: Ag alloy (Cd free)

**Features:**

- Creepage distance 8mm between coil and contacts
- 10kV impulse withstand voltage
- Enclosure rating: Flux protection



For quantities greater than listed, call for quote.

MOUSER STOCK NO.	Omron Part No.	Fig.	Contact Form	Rated Current (mA)	Coil Resistance (Ω)	Coil Voltage (VDC)	Price Each			
							1	25	50	100
<b>12A General Purpose, Low Noise</b>										
653-G5RL-1A-LN-DC12	G5RL-1A-LN-DC12	A7	SPST-NO	44.2	272.0	12	3.86	3.51	3.11	2.81
653-G5RL-1A-LN-DC24	G5RL-1A-LN-DC24	A7	SPST-NO	22.1	1086.0	24	3.35	3.04	2.78	2.57
<b>16A High-Capacity, AC Coil</b>										
653-G5RL-1E-AC120	G5RL-1-E-AC115/120	A6	SPDT	5.35/5.70	11600.0	120VAC	7.29	6.63	5.89	5.67
653-G5RL-1E-AC240	G5RL-1-E-AC230/240	A6	SPDT	2.76/2.88	47600.0	240VAC	14.92	13.56	12.45	11.48
<b>16A High-Capacity, High Inrush</b>										
653-G5RL-1AEHR-DC5	G5RL-1A-E-HR-DC5	A5	SPST-NO	80.0	62.5	5	3.20	2.90	2.66	2.46
653-G5RL-1AEHR-DC12	G5RL-1A-E-HR-DC12	A5	SPST-NO	33.3	360.0	12	3.67	3.34	3.07	2.83
653-G5RL-1AEHR-DC24	G5RL-1A-E-HR-DC24	A5	SPST-NO	16.7	1440.0	24	3.20	2.91	2.67	2.46
653-G5RL-1-E-HR-DC5	G5RL-1-E-HR-DC5	A6	SPDT	80.0	62.5	5	3.00	2.73	2.50	2.31
653-G5RL-1-E-HR-DC12	G5RL-1-E-HR-DC12	A6	SPDT	33.3	360.0	12	4.20	3.44	3.15	2.91
653-G5RL-1-E-HR-DC24	G5RL-1-E-HR-DC24	A6	SPDT	16.7	1440.0	24	3.32	3.02	2.77	2.56
<b>16A High-Capacity, Low Noise</b>										
653-G5RL-1A-E-LN-DC5	G5RL-1A-E-LN-DC5	A5	SPST-NO	106.0	47.2	5	3.06	2.78	2.55	2.36
653-G5RL-1A-ELNDC12	G5RL-1A-E-LN-DC12	A5	SPST-NO	44.2	272.0	12	3.33	3.03	2.77	2.56
653-G5RL-1A-ELNDC24	G5RL-1A-E-LN-DC24	A5	SPST-NO	22.1	1086.0	24	3.84	3.47	3.05	2.74

## OMRON G5SB SERIES: SPDT COMPACT POWER PCB RELAYS

**Specifications:**

- Rated load: 3A(NO)/3A(NC) @ 125VAC  
5A(NO)/3A(NC) @ 125VAC/30VDC  
5A(NO) @ 250VAC  
3A(NC) @ 250VAC
- Contact material: Ag alloy

**Features:**

- Switches up to 5A (NO)
- Ideal for fan control of air conditioners and heating control of small appliances
- Ensures an impulse withstand voltage of 8000V between coil and contacts



For quantities greater than listed, call for quote.

MOUSER STOCK NO.	Omron Part No.	Fig.	Contact Form	Rated Current (mA)	Coil Resistance (Ω)	Coil Voltage (VDC)	Price Each			
							1	25	50	100
<b>Flux Protected</b>										
653-G5SB-1DC12	G5SB-1 DC12	B8	SPDT	33.3	360.0	12	2.02	1.84	1.66	1.49
<b>Sealed</b>										
653-G5SB-1A4-DC5	G5SB-1A4-DC5	B9	SPST-NO	80.0	62.5	5	1.43	1.30	1.19	1.10
653-G5SB-1A4-DC12	G5SB-1A4-DC12	B9	SPST-NO	33.3	360.0	12	1.74	1.58	1.45	1.34
653-G5SB-14-DC5	G5SB-14-DC5	B8	SPDT	80.0	62.5	5	1.43	1.30	1.19	1.10
653-G5SB-14-DC9	G5SB-14-DC9	B8	SPDT	44.4	202.9	9	2.02	1.84	1.68	1.56
653-G5SB-14-DC12	G5SB-14-DC12	B8	SPDT	33.3	360.0	12	1.66	1.50	1.38	1.27
653-G5SB-14-DC24	G5SB-14-DC24	B8	SPDT	16.7	1440.0	24	1.74	1.59	1.42	1.30

