

OMRON Power PCB Relays



OMRON G5LE SERIES: 10A "SUGAR CUBE" POWER PCB RELAYS

Specifications:

- Contact rating: 10A @ 120VAC for Standard (5/9VDC)
10A @ 240VAC for Standard (12/24VDC)
10A @ 35VDC for 0.8mm Contact Gap
16A @ 250VAC for High-Capacity

Features:

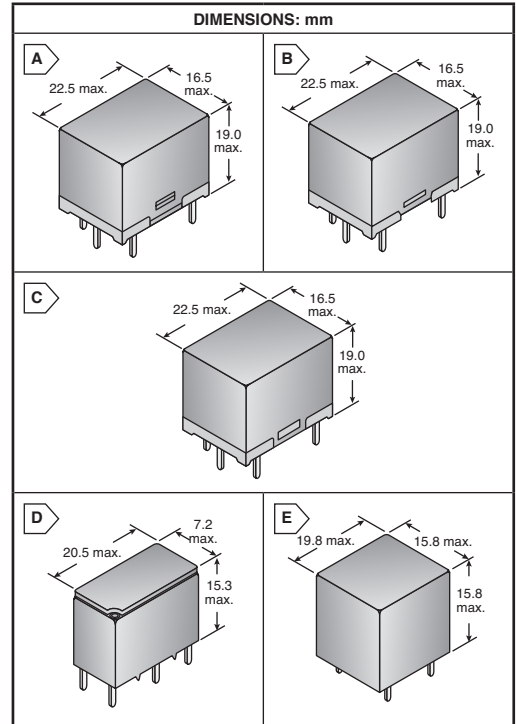
- Withstands impulse of up to 4500V
- Ideal for applications in security equipment, household electrical appliances, garage door openers, and audio equipment



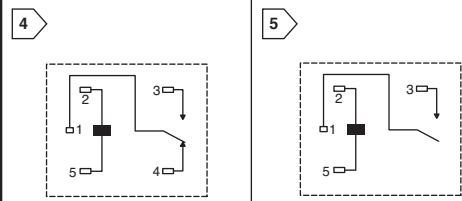
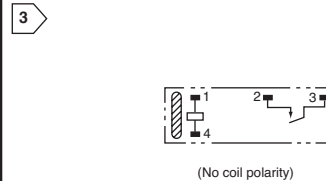
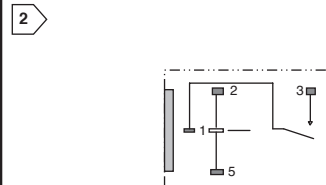
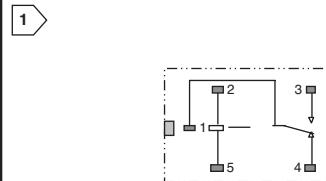
*VDE Approved **Contacts are Au plated

For quantities greater than listed, call for quote.

MOUSER STOCK NO.	Omron Part No.	Fig.	Contact Form	Rated Current (mA)	Coil Resistance (Ω)	Coil Voltage (VDC)	Power Consumption (mW)	Price Each			
								1	10	50	100
Standard, AgSnO2 Contact Material, Flux Protection Enclosure Rating											
653-G5LE-1-DC5	G5LE-1-DC5	A1	SPDT	79.4	63.0	5	400	1.50	1.35	1.20	1.07
653-G5LE-1-DC12	G5LE-1-DC12	A1	SPDT	33.3	360.0	12	400	.92	.894	.862	.831
* 653-G5LE-1-VD-DC12	G5LE-1-VD DC12	A1	SPDT	58.3	205.7	12	400	2.61	2.29	1.73	1.55
653-G5LE-1-DC24	G5LE-1-DC24	A1	SPDT	16.7	1440.0	24	400	1.23	1.18	1.12	.988
* 653-G5LE-1-VD-DC24	G5LE-1-VD DC24	A1	SPDT	16.7	1440.0	24	400	1.24	1.06	.982	.877
653-G5LE-1-ADC5	G5LE-1A-DC5	A2	SPST-NO	79.4	63.0	5	400	1.46	1.31	1.17	1.05
653-G5LE-1A-DC24	G5LE-1A-DC24	A2	SPST-NO	16.7	1440.0	24	400	.92	.898	.868	.817
Standard, AgSnO2 Contact Material, Fully Sealed Enclosure Rating											
653-G5LE-14-DC3	G5LE-14 DC3	A1	SPDT	136.4	22.5	3	400	1.00	.927	.85	.784
653-G5LE-14-DC5	G5LE-14-DC5	A1	SPDT	79.4	63.0	5	400	1.35	1.29	1.16	1.06
653-G5LE-14-DC6	G5LE-14-DC6	A1	SPDT	66.7	90.0	6	400	1.15	1.09	1.02	.977
653-G5LE-14-DC9	G5LE-14-DC9	A1	SPDT	45.0	200.0	9	400	1.20	1.14	1.07	1.02
653-G5LE-14-DC12	G5LE-14-DC12	A1	SPDT	33.3	360.0	12	400	1.08	.97	.95	.93
** 653-G5LE-14-AP3-DC12	G5LE-14-AP3-DC12	A1	SPDT	33.3	360.0	12	400	1.55	1.37	1.32	1.24
653-G5LE-14-DC24	G5LE-14-DC24	A1	SPDT	16.7	1440.0	24	400	1.20	1.14	1.08	.987
** 653-G5LE-14-AP3-DC24	G5LE-14-AP3-DC24	A1	SPDT	16.7	1440.0	24	400	1.57	1.48	1.41	1.34
653-G5LE-1A4-DC5	G5LE-1A4-DC5	A2	SPST-NO	79.4	63.0	5	400	1.21	1.12	1.02	.948
653-G5LE-1A4-DC9	G5LE-1A4-DC9	A2	SPST-NO	45.0	200.0	9	400	.94	.866	.794	.732
653-G5LE-1A4-DC12	G5LE-1A4-DC12	A2	SPST-NO	33.3	360.0	12	400	1.36	1.21	1.08	.971
653-G5LE-1A4-DC24	G5LE-1A4-DC24	A2	SPST-NO	16.7	1440.0	24	400	1.28	1.19	1.09	.97
High-Capacity, AgSnIn Contact Material, Flux Protection Enclosure Rating											
653-G5LE-1-E-36-DC5	G5LE-1-E-36-DC5	B1	SPDT	72.0	70.0	5	360	1.69	1.54	1.41	1.30
653-G5LE-1-E-36-DC12	G5LE-1-E-36-DC12	B1	SPDT	30.0	400.0	12	360	1.91	1.74	1.60	1.47
653-G5LE-1-E-36-DC24	G5LE-1-E-36-DC24	B1	SPDT	15.0	1600.0	24	360	1.64	1.49	1.37	1.26
653-G5LE-1-E-DC5	G5LE-1-E-DC5	B1	SPDT	79.4	63.0	5	400	1.62	1.47	1.35	1.25
653-G5LE-1-E-DC12	G5LE-1-E-DC12	B1	SPDT	33.3	360.0	12	400	1.78	1.62	1.49	1.38
653-G5LE-1-E-DC24	G5LE-1-E-DC24	B1	SPDT	16.7	1440.0	24	400	2.26	2.03	1.81	1.62
653-G5LE-1A-E-DC5	G5LE-1A-E-DC5	B2	SPST-NO	79.4	63.0	5	400	1.61	1.47	1.34	1.24
653-G5LE-1A-E-DC12	G5LE-1A-E-DC12	B2	SPST-NO	33.3	360.0	12	400	1.88	1.71	1.56	1.44
653-G5LE-1A-E-DC24	G5LE-1A-E-DC24	B2	SPST-NO	16.7	1440.0	24	400	1.61	1.47	1.34	1.24
0.8mm Contact Gap, AgSnIn Contact Material, Flux Protection Enclosure Rating											
653-G5LE-1-G-DC12	G5LE-1-G-DC12	C1	SPDT	58.3	205.7	12	700	1.45	1.32	1.21	1.11
653-G5LE-1-G-DC24	G5LE-1-G-DC24	C1	SPDT	35.0	571.4	24	700	1.69	1.54	1.41	1.29



TERMINAL ARRANGEMENT



OMRON G5NB SERIES: 3A SPST-NO PCB RELAYS

Specifications:

- Rated load: 3A @ 125VAC/30VDC for Standard
5A @ 250VAC / 3A @ 30VDC for High-Capacity
- Contact resistance: 100mΩ max.

Features:

- Standard models switch up to 3A and high-capacity models switch up to 5A (AC loads only)
- Low power consumption (200mW)



For quantities greater than listed, call for quote.

MOUSER STOCK NO.	Omron Part No.	Fig.	Rated Current (mA)	Coil Resistance (Ω)	Coil Voltage (VDC)	Price Each				
						1	25	50	100	
Standard, Flux-Tight										
653-G5NB-1A-DC5	G5NB-1A-DC5	D3	40.0	125	5	1.74	1.57	1.44	1.33	
653-G5NB-1A-DC12	G5NB-1A-DC12	D3	16.7	720	12	1.74	1.57	1.44	1.33	
653-G5NB-1A-DC24	G5NB-1A-DC24	D3	8.3	2880	24	1.92	1.75	1.59	1.47	
Standard, Sealed										
653-G5NB-1A4DC5	G5NB-1A4 DC5	D3	40.0	125	5	2.04	1.92	1.87	1.77	
653-G5NB-1A4DC12	G5NB-1A4 DC12	D3	16.7	720	12	2.04	1.92	1.73	1.56	
653-G5NB-1A4DC24	G5NB-1A4 DC24	D3	8.3	2880	24	2.33	2.19	2.12	2.02	
High-Capacity, Flux-Tight										
653-G5NB-1A-E-DC5	G5NB-1A-E-DC5	D3	40.0	125	5	1.90	1.79	1.64	1.48	
653-G5NB-1A-E-DC12	G5NB-1A-E-DC12	D3	16.7	720	12	2.02	1.85	1.64	1.48	
653-G5NB-1A-E-DC24	G5NB-1A-E-DC24	D3	8.3	2880	24	2.26	2.05	1.82	1.64	
High-Capacity, Sealed										
653-G5NB-1A4-E-DC5	G5NB-1A4-E-DC5	D3	40.0	125	5	1.99	1.86	1.82	1.72	
653-G5NB-1A4-E-DC12	G5NB-1A4-E-DC12	D3	16.7	720	12	1.99	1.86	1.75	1.57	
653-G5NB-1A4-E-DC24	G5NB-1A4-E-DC24	D3	8.3	2880	24	2.40	2.25	2.18	2.06	

OMRON G5LA SERIES: 10A CUBIC POWER PCB RELAYS

Specifications:

- Contact rating: SPST-NO 10A @ 250VAC/24VDC
SPDT 5A @ 125VAC/24VDC
- Contact material: AgSnO2
- Contact resistance: 100mΩ max.

Features:

- Economical cube relay with universal terminal footprint
- High switching power: 10A @ 250VAC
- Withstands impulse of up to 4500V
- Coil power consumption: 360mW



For quantities greater than listed, call for quote.

MOUSER STOCK NO.	Omron Part No.	Fig.	Contact Form	Rated Current (mA)	Coil Resistance (Ω)	Coil Voltage (VDC)	Price Each			
							1	25	50	100
Standard, Flux-Protection, Class A Insulation										
653-G5LA-1-DC5	G5LA-1-DC5	E4	SPDT	72.0	69.4	5	1.33	1.21	1.10	1.02
653-G5LA-1-DC12	G5LA-1-DC12	E4	SPDT	30.0	400.0	12	1.12	1.01	.878	.836
Standard, Fully Sealed, Class A Insulation										
653-G5LA-14-DC5	G5LA-14-DC5	E4	SPDT	72.0	69.4	5	1.37	1.23	1.09	.983
653-G5LA-14-DC9	G5LA-14-DC9	E4	SPDT	40.0	225.0	9	1.12	1.01	.913	.853
653-G5LA-14-DC12	G5LA-14-DC12	E4	SPDT	30.0	400.0	12	1.39	1.25	1.11	.993
653-G5LA-14-DC24	G5LA-14-DC24	E4	SPDT	15.0	1600.0	24	1.23	1.10	1.03	.96
653-G5LA-14DC48	G5LA-14-DC48	E4	SPDT	10.0	4800.0	48	1.33	1.21	1.11	1.03
653-G5LA-1A4-DC5	G5LA-1A4-DC5	E5	SPST-NO	72.0	69.4	5	1.42	1.29	1.17	1.05
653-G5LA-1A4-DC9	G5LA-1A4-DC9	E5	SPST-NO	40.0	225.0	9	1.44	1.31	1.20	1.11
653-G5LA-1A4-DC12	G5LA-1A4-DC12	E5	SPST-NO	30.0	400.0	12	1.46	1.31	1.17	1.05
653-G5LA-1A4-DC24	G5LA-1A4-DC24	E5	SPST-NO	15.0	1600.0	24	1.20	1.07	1.00	.94
653-G5LA-1A4-DC48	G5LA-1A4-DC48	E5	SPST-NO	10.0	4800.0	48	1.54	1.40	1.28	1.19
Standard, Fully Sealed, Class F Insulation										
653-G5LA-14-CF-DC5	G5LA-14-CF-DC5	E4	SPDT	72.0	69.4	5	1.24	1.12	.989	.928
653-G5LA-14-CF-DC12	G5LA-14-CF-DC12	E4	SPDT	30.0	400.0	12	1.47	1.33	1.21	1.09
653-G5LA-14-CF-DC24	G5LA-14-CF-DC24	E4	SPDT	15.0	1600.0	24	1.46	1.30	1.25	1.13

