

OMRON Power PCB Relays



RoHS Compliant This product is RoHS compliant.

OMRON G4A SERIES: 20A SPST-NO MINIATURE POWER PCB RELAYS

Specifications:

- Rated load: 20A @ 250VAC
- Contact resistance: 100 mΩ max.
- Electrical endurance: With motor load (250VAC) 200,000 ops. With overload (250VAC) 1,500 ops. With inverter load (100VAC) 30,000 ops.

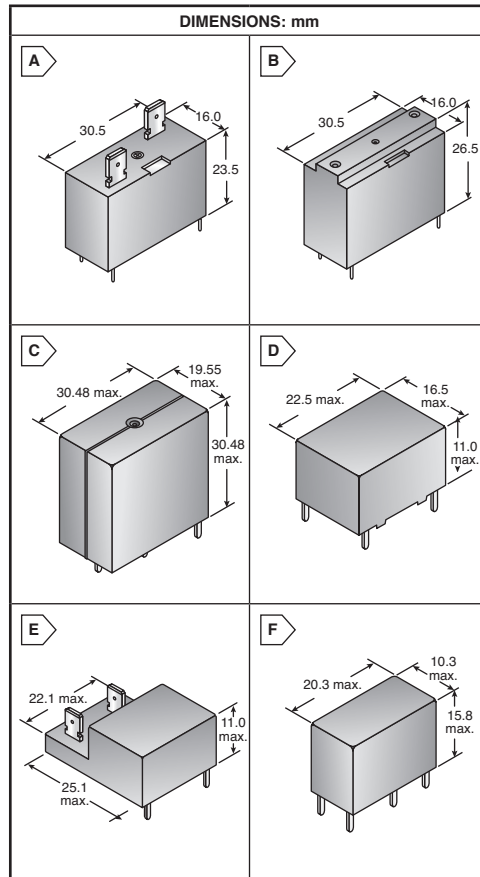
Features:

- Miniature single-pole relay with 80A surge
- 20A switching current
- Ideal for motor switching
- Miniature relay with high switching power and long endurance
- Highly noise-resistant insulation materials



For quantities greater than listed, call for quote.

MOUSER STOCK NO.	Omron Part No.	Fig.	Rated Current (mA)	Coil Resistance (Ω)	Coil Voltage (VDC)	Coil Terminals	Price Each			
							1	25	50	100
653-G4A-1AE-DC5	G4A-1A-E-DC5	A1	180.0	27.8	5	QC #250/PCB	5.61	5.10	4.68	4.32
653-G4A-1AE-DC12	G4A-1A-E-DC12	A1	75.0	160.0	12	QC #250/PCB	7.22	5.86	5.66	5.35
653-G4A-1AE-DC24	G4A-1A-E-DC24	A1	37.5	640.0	24	QC #250/PCB	7.57	7.07	6.48	5.83
653-G4A-1A-PEDC51	G4A-1A-PE DC5	B2	180.0	27.8	5	PCB straight/PCB	9.45	8.59	7.87	7.26
653-G4A-1APE-DC12	G4A-1A-P-E-DC12	B2	75.0	160.0	12	PCB straight/PCB	7.79	7.13	6.54	6.16
653-G4A-1APE-DC24	G4A-1A-P-E-DC24	B2	37.5	640.0	24	PCB straight/PCB	7.79	7.13	6.62	6.33



OMRON G4W SERIES: 15A POWER PCB RELAYS

Specifications:

- Rated load: 15A @ 250VAC/24VDC
- Terminals: PCB straight
- Coil power consumption: 800mW

Features:

- Impulse withstand voltage as high as 10kV with 4kV dielectric
- Ideal for power supply switching
- International 2.54mm terminal pitch



For quantities greater than listed, call for quote.

MOUSER STOCK NO.	Omron Part No.	Fig.	Contact Form	Rated Current (mA)	Coil Resistance (Ω)	Coil Voltage (VDC)	Coil Terminals	Price Each			
								1	25	50	100
Unsealed, TV-8 Rated											
653-G4W1112PUSTV8	G4W-1112P-US-TV8-HP-DC12	C3	SPST-NO	66.7	180	12		6.31	5.74	5.11	4.70
* 653-G4W1112PVT8HPD24	G4W-1112P-VD-TV8-HP-DC24	C3	SPST-NO	33.3	720	24		8.55	7.79	7.14	6.59
Fully Sealed, TV-8 Rated											
653-G4W-1114P-DC12	G4W-1114P-US-TV8HP-DC12	C3	SPST-NO	66.7	180	12		8.35	7.60	6.96	6.43
653-G4W-2214P-DC24	G4W-1114P-US-TV8HP-DC24	C3	SPST-NO	33.3	720	24		9.59	8.99	8.49	7.64
Unsealed, TV-5 Rated											
653-G4W2212PUSTV5	G4W-2212P-US-TV5-HP-DC24	C3	DPST-NO	33.3	720	24		6.99	6.28	5.58	5.39
Fully Sealed											
653-G4W-2214P-DC12	G4W-2214P-US-HP-DC12	C3	DPST-NO	66.7	180	12		8.09	7.36	6.75	6.22
653-G4W-2214P-DC24	G4W-2214P-US-HP-DC24	C3	DPST-NO	33.3	720	24		9.59	8.99	8.49	7.64

OMRON G5CA SERIES: SPST-NO POWER PCB RELAYS

Specifications:

- Contact material: Silver alloy
- Rated carry current: 10A
- Contact resistance: 30mΩ max. (QC terminals 100mΩ max.)

Features:

- Flat relays that switch 10A/15A loads
- Ideal for switching power in household appliances or outputs from industrial devices



For quantities greater than listed, call for quote.

MOUSER STOCK NO.	Omron Part No.	Fig.	Rated Current (mA)	Coil Resistance (Ω)	Coil Voltage (VDC)	Terminals	Price Each			
							1	25	50	100
Standard Type, Flux Protected, Rated Load 10A @ 250VAC/30VDC										
653-G5CA-1A-DC5	G5CA-1A-DC5	D4	40.0	125	5	PCB straight	3.28	2.98	2.74	2.52
653-G5CA-1A-DC12	G5CA-1A-DC12	D4	16.7	720	12	PCB straight	4.60	4.14	3.68	3.60
653-G5CA-1ADC24	G5CA-1ADC24	D4	8.3	2880	24	PCB straight	5.06	4.60	4.22	3.89
Standard Type, Fully Sealed, Rated Load 10A @ 250VAC/30VDC										
653-G5CA-1A4-DC5	G5CA-1A4-DC5	D4	40.0	125	5	PCB straight	4.60	4.44	4.30	4.13
653-G5CA-1A4-DC12	G5CA-1A4-DC12	D4	16.7	720	12	PCB straight	5.51	5.00	4.58	4.24
High-Capacity Type, Flux Protected, Rated Load 15A @ 110VAC / 10A @ 30VDC										
653-G5CA-1A-E-DC5	G5CA-1A-E-DC5	D4	40.0	125	5	PCB straight	4.06	3.65	3.25	2.92
653-G5CA-1A-E-DC12	G5CA-1A-E-DC12	D4	16.7	720	12	PCB straight	3.43	3.12	2.86	2.64
653-G5CA-1A-E-DC24	G5CA-1A-E-DC24	D4	8.3	2880	24	PCB straight	3.43	3.12	2.86	2.64
53-G5CA-1A-TP-EDC5	G5CA-1A-TP-E DC5	E5	40.0	125	5	QC#187	6.27	5.64	5.01	4.84
653-G5CA1ATPEDC12	G5CA-1A-TP-E DC12	E5	8.3	2880	24	QC#187	5.87	5.33	4.89	4.52

OMRON G5Q SERIES: COMPACT, HIGH-ISOLATION POWER PCB RELAYS

Specifications:

- Contact material: Ag Alloy
- Contact rating: (NO) 10A @ 125VAC / 5A @ 30VDC (NC) 3A @ 125VAC / 3A @ 30VDC
- Power consumption: SPST-NO 400mW; SPDT 200mW

Features:

- Ensures a withstand impulse voltage of 8,000V between the coil and contacts
- Low coil power consumption
- UL class F coil insulation
- Ideal for appliance and HVAC controls



For quantities greater than listed, call for quote.

MOUSER STOCK NO.	Omron Part No.	Fig.	Contact Form	Rated Current (mA)	Coil Resistance (Ω)	Coil Voltage (VDC)	Price Each			
							1	25	50	100
Vented Construction										
653-G5Q-1A-DC5	G5Q-1A-DC5	F6	SPST-NO	40.0	200	5	2.72	2.46	2.26	2.08
653-G5Q-1A-DC12	G5Q-1A-DC12	F6	SPST-NO	16.7	720	12	2.49	2.27	2.08	1.92
653-G5Q-1-DC5	G5Q-1-DC5	F7	SPDT	80.0	63	5	2.45	2.24	2.06	1.88
653-G5Q-1-DC24	G5Q-1-DC24	F7	SPDT	16.7	1440	24	3.08	2.80	2.56	2.36
Sealed Construction										
653-G5Q-1A4-DC12	G5Q-1A4-DC12	F6	SPST-NO	16.7	720	12	2.67	2.43	2.21	1.98
653-G5Q-1A4-DC24	G5Q-1A4-DC24	F6	SPST-NO	8.3	2880	24	2.67	2.43	2.23	2.06
653-G5Q-14-DC5	G5Q-14-DC5	F7	SPDT	80.0	63	5	2.67	2.54	2.33	2.16
653-G5Q-14-DC12	G5Q-14-DC12	F7	SPDT	33.3	360	12	2.65	2.55	2.37	2.21
653-G5Q-14-DC24	G5Q-14-DC24	F7	SPDT	16.7	1440	24	2.80	2.54	2.33	2.16

