

# OMRON Low Signal Relays



Products may be RoHS compliant. Check mouser.com for RoHS status.

## OMRON G6E SERIES: 3A SPDT LOW SIGNAL RELAYS

### Specifications:

- Rated load: 0.40A @ 125VAC / 2A @ 30VDC
- Contact material: Ag (Au clad)
- Contact resistance: 50mΩ max.
- Power consumption: Standard 200mW  
Low-sensitivity 400mW
- Terminals: PCB straight
- Standoffs: 0.64mm

### Features:

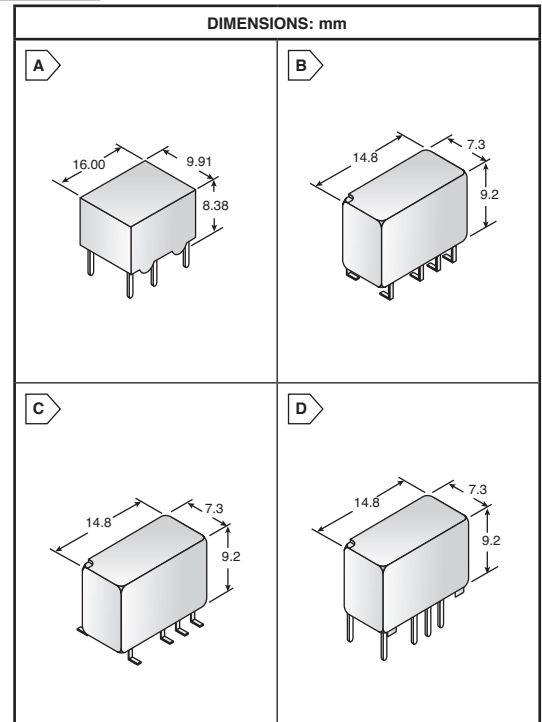
- Subminiature, sensitive signal relays
- High sensitivity with pick-up coil power of 98mW
- Surge withstand voltage meets FCC Part 68 requirements.
- Unique moving loop armature reduces relay size, magnetic interference, and contact bounce time.
- Bifurcated crossbar contact assures high reliability.
- Fully sealed construction



\* Standoffs: 0.3mm

For quantities greater than listed, call for quote.

MOUSER STOCK NO.	Omron Part No.	Fig.	Rated Current (mA)	Coil Resistance (Ω)	Coil Voltage (VDC)	Price Each			
						1	25	50	100
<b>Standard</b>									
* 653-G6E-134P-USDC5	G6E-134P-US DC5	A1	40.0	125	5	5.38	4.84	4.40	4.03
<b>Standard, Non-Latching Coil</b>									
653-G6E-134P-STUSDC3	G6E-134P-ST-US-DC3	A1	66.7	45	3	4.93	4.44	3.94	3.84
653-G6E-134P-DC5	G6E-134P-ST-US-DC5	A1	40.0	125	5	5.40	4.86	4.44	4.00
653-G6E134PSTUSDC6	G6E-134P-ST-US-DC6	A1	33.3	180	6	8.00	7.21	6.55	6.00
653-G6E-134P-DC9	G6E-134P-ST-US-DC9	A1	22.2	405	9	4.79	4.72	4.66	4.53
653-G6E-134P-DC12	G6E-134P-ST-US-DC12	A1	16.7	720	12	4.17	3.90	3.74	3.57
653-G6E-134P-DC24	G6E-134P-ST-US-DC24	A1	8.3	2880	24	4.91	4.59	4.38	4.05
<b>Low-Sensitivity, Non-Latching Coil</b>									
653-G6E-134PL-DC5	G6E-134P-L-ST-US-DC5	A1	79.4	63	5	5.34	4.80	4.26	3.84
653-G6E-134PL-DC12	G6E-134P-L-ST-US-DC12	A1	33.3	360	12	5.34	4.80	4.26	3.84
653-G6E-134PL-DC24	G6E-134P-L-ST-US-DC24	A1	16.7	1140	24	5.34	4.80	4.26	3.84
<b>Standard, Latching Single Coil</b>									
653-G6EU134PSTUSDC5	G6EU-134P-ST-US-DC5	A2	40.0	125	5	10.08	9.08	8.25	7.56
653-G6EU134PSTUSDC12	G6EU-134P-ST-US-DC12	A2	16.7	720	12	9.89	8.91	8.09	7.42
<b>Standard, Latching Dual Coil</b>									
653-G6EK-134P-DC5	G6EK-134P-ST-US-DC5	A2	40.0	125	5	7.23	6.50	5.78	5.20
653-G6EK-134P-DC12	G6EK-134P-ST-US-DC12	A2	16.7	720	12	7.56	6.50	5.78	5.20
653-G6EK-134P-DC24	G6EK-134P-ST-US-DC24	A2	8.3	2880	24	7.48	6.74	6.24	6.07



## OMRON G6S SERIES: 2A DPDT LOW SIGNAL RELAYS

### Specifications:

- Rated load: 0.5A @ 125VAC / 2A @ 30VDC
- Contact material: Ag (Au clad)
- Contact resistance: 75mΩ max.
- Max. carry current: 2A
- Power consumption: G6S (3-12VDC) 140mW / G6S (24VDC) 200mW  
G6SU (3-12VDC) 100mW / G6SU (24VDC) 150mW  
G6SK (3-12VDC) 200mW / G6SK (24VDC) 300mW  
G6S Euro (5-12VDC) 200mW / G6SK (24VDC) 230mW

### Features:

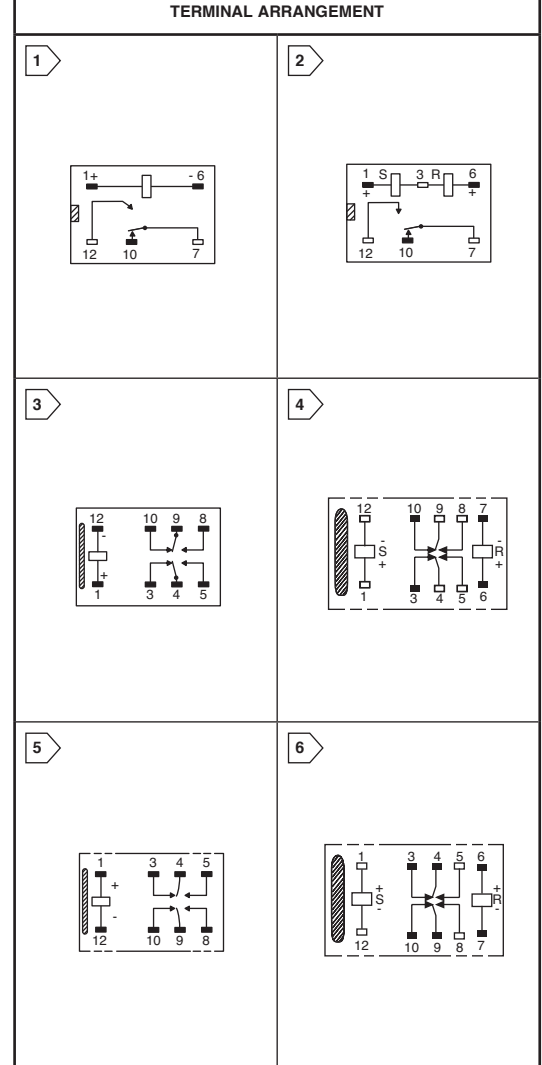
- Design based on worldwide communications, office automation, and computer peripheral relay requirements
- High dielectric withstand voltage of 2000VAC between coil and contacts (standard type); 1500VAC between contacts of different polarity
- Meets FCC Part 68 and Telcordia 2.5KV surge withstand
- European version certified for EN60950/EN41003 Supplementary Insulation at 250V at Pollution Degree 2.
- Low power consumption of 140mW (non-latching)



\* Tape and reel packaging; Full reel size is 800

For quantities greater than listed, call for quote.

MOUSER STOCK NO.	Omron Part No.	Fig.	Rated Current (mA)	Coil Resistance (Ω)	Coil Voltage (VDC)	Price Each			
						1	25	50	100
<b>SMT Inside "L", Non-Latching</b>									
653-G6S-2G-DC5	G6S-2G-DC5	B3	28.1	178.0	5	3.67	2.78	2.67	2.53
653-G6S-2G-DC12	G6S-2G-DC12	B3	11.7	1028.0	12	2.60	2.26	2.15	2.03
653-G6S-2G-DC24	G6S-2G-DC24	B3	8.3	2880.0	24	4.55	4.09	3.64	3.27
<b>SMT Outside "L", Non-Latching</b>									
653-G6S-2F-DC3	G6S-2F-DC3	C3	46.7	64.3	3	3.32	2.98	2.65	2.38
653-G6S-2F-DC5	G6S-2F-DC5	C3	28.1	178.0	5	3.13	2.56	2.37	2.25
* 653-G6S-2F-TRDC51	G6S-2F-TR DC5	C3	28.1	178.0	5	2.91	2.66	2.43	2.26
653-G6S-2F-DC12	G6S-2F-DC12	C3	11.7	1028.0	12	3.23	2.81	2.67	2.53
* 653-G6S-2F-TRDC122	G6S-2F-TR DC12	C3	11.7	1028.0	12	2.79	2.65	2.43	2.22
653-G6S-2F-DC24	G6S-2F-DC24	C3	8.3	2280.0	24	3.85	3.61	3.39	3.06
<b>SMT Outside "L", Non-Latching, EN60950/EN41003 Approved</b>									
653-G6S-2F-YDC52	G6S-2F-Y DC5	C3	40.0	125.0	5	2.96	2.66	2.48	2.37
653-G6S-2F-YDC12	G6S-2F-Y DC12	C3	16.7	720.0	12	3.16	2.84	2.65	2.52
653-G6S-2F-YDC24	G6S-2F-Y DC24	C3	9.6	2504.0	24	3.98	3.75	3.49	3.27
<b>SMT Outside "L", Single Coil Latching</b>									
* 653-G6SU-2F-TRDC45	G6SU-2F-TR DC4.5	C3	22.2	203.0	4.5	4.09	3.68	3.49	3.27
653-G6SU-2F-DC5	G6SU-2F-DC5	C3	28.1	178.0	5	4.14	3.14	3.03	2.93
<b>SMT Outside "L", Dual Coil Latching</b>									
653-G6SK-2F-DC5	G6SK-2F-DC5	C4	40.0	125.0	5	3.65	3.18	3.02	2.66
653-G6SK-2F-DC12	G6SK-2F-DC12	C4	11.7	1028.0	12	3.88	3.38	3.09	2.83
<b>PCB Thru-Hole, Non-Latching</b>									
653-G6S-2DC32	G6S-2 DC3	D5	46.7	64.3	3	3.71	3.33	3.11	2.96
653-G6S-2-DC4.5	G6S-2-DC4.5	D5	31.0	145.0	4.5	3.21	3.12	3.10	3.00
653-G6S-2-DC5	G6S-2 DC5	D5	28.1	178.0	5	2.75	2.47	2.18	1.97
653-G6S-2DC92	G6S-2 DC9	D5	15.5	579.0	9	3.25	2.91	2.60	2.33
653-G6S-2-DC12A	G6S-2-DC12	D5	11.7	1028.0	12	3.14	2.75	2.61	2.47
653-G6S-2-DC24	G6S-2-DC24	D5	8.3	2880.0	24	3.05	2.87	2.76	2.66
<b>PCB Thru-Hole, Non-Latching, EN60950/EN41003 Approved</b>									
653-G6S-2-Y-DC5	G6S-2-Y-DC5	D5	40.0	125.0	5	3.90	3.51	3.12	2.80
653-G6S-2-Y-DC12	G6S-2-Y-DC12	D5	16.7	720.0	12	5.72	4.35	2.55	2.15
653-G6S-2-YDC24	G6S-2-Y DC24	D5	9.6	2504.0	24	3.15	2.75	2.60	2.45
<b>PCB Thru-Hole, Single Coil Latching</b>									
653-G6SU-2-DC3	G6SU-2-DC3	D5	33.3	90.0	3	3.02	2.86	2.72	2.63
653-G6SU-2DC45	G6SU-2 DC4.5	D5	22.2	203.0	4.5	3.54	3.18	2.96	2.83
653-G6SU-2-DC12	G6SU-2-DC12	D5	11.7	1028.0	12	4.04	3.07	2.96	2.86
<b>PCB Thru-Hole, Dual Coil Latching</b>									
653-G6SK-2-DC5	G6SK-2-DC5	D6	40.0	125.0	5	3.46	3.24	2.91	2.61
653-G6SK-2DC12	G6SK-2 DC12	D6	11.7	1028.0	12	3.24	3.06	2.72	2.44
653-G6SK-2DC24	G6SK-2 DC24	D6	8.3	2880.0	24	3.73	3.52	3.13	2.79
<b>PCB Thru-Hole, High-Sensitivity Dual, Coil Latching</b>									
653-G6SK-2-H-DC5	G6SK-2-H-DC5	D6	28.1	78.0	5	3.64	3.41	3.02	2.73



Omron Low Signal Relays