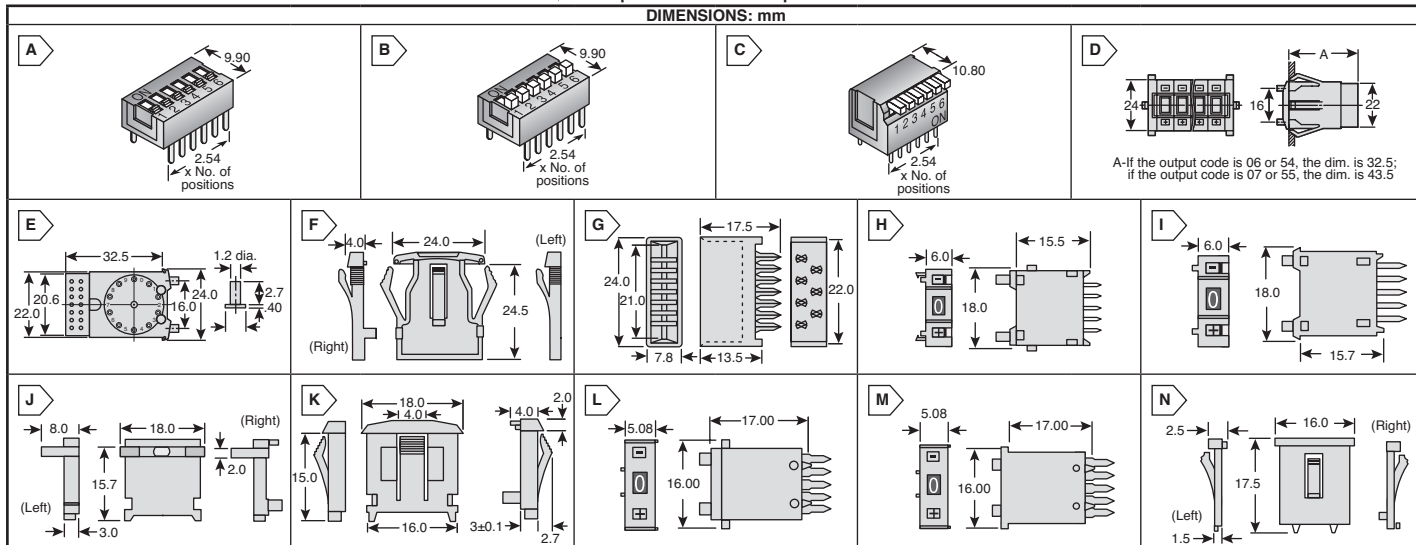


# OMRON DIP and Thumbwheel Switches

**OMRON**  
ELECTRONIC COMPONENTS

RoHS Compliant This product is RoHS compliant.

DIMENSIONS: mm



## OMRON A6E/A6ER SERIES: DIP SWITCHES

**Specifications:**

- Switching capacity: 25mA @ 24VDC
- Contact resistance: 200mΩ max.

**Features:**

- The sealed bottom prevents flux penetration
- Gold-plated contacts ensure high reliability

For quantities greater than listed, call for quote.

MOUSER STOCK NO.	Omron Part No.	Fig.	Length (mm)	Number of Positions	Actuator	Price Each			
						1	25	50	100
653-A6E2101	A6E-2101	A	6.64	2	Flat	2.46	2.21	1.96	1.77
653-A6E-4101	A6E-4101	A	11.72	2	Flat	2.20	1.97	1.75	1.57
653-A6E-2104	A6E-2104	B	6.64	4	Raised	2.48	2.21	1.97	1.78
653-A6E-4104	A6E-4104	B	11.72	4	Raised	2.72	2.45	2.18	1.95
653-A6E-5104	A6E-5104	B	14.26	5	Raised	2.22	2.05	1.82	1.74
653-A6E-8104	A6E-8104	B	21.88	8	Raised	3.19	2.88	2.56	2.30
653-A6ER-2104	A6ER-2104	C	6.64	2	Side (long-lever)	3.27	3.06	2.85	2.41
653-A6ER-4104	A6ER-4104	C	11.72	2	Side (long-lever)	3.59	3.21	2.86	2.57
653-A6ER-8104	A6ER-8104	C	21.88	8	Side (long-lever)	5.04	4.53	4.04	3.62

## OMRON A7BS SERIES: THUMBWHEEL SWITCHES

**Specifications:**

- Switching capacity: 0.1mA @ 28VDC
- Contact resistance: 300mΩ max.
- \* With external stopper

**Features:**

- Character height of 4.8mm makes for easy-to-view display

For quantities greater than listed, call for quote.

MOUSER STOCK NO.	Omron Part No.	Fig.	Mounting	Terminals	Color	Output Code Number	Price Each			
							1	25	50	100
<b>Single Switch Unit</b>										
653-A7BS-206-1	A7BS-206-1	D	Screw (front)	Solder	Black	06 (binary coded decimal)	8.57	7.88	7.39	6.96
653-A7BS-207-1	A7BS-207-1	D	Screw (front)	Solder	Black	07 (binary coded decimal, with diode)	8.57	7.98	7.63	7.21
* 653-A7BS-206-S	A7BS-206-S	E	Snap-in (front)	Solder	Light gray	06 (binary coded decimal)	9.02	8.42	7.96	7.51

**Accessories**

For quantities greater than listed, call for quote.

MOUSER STOCK NO.	Omron Part No.	Fig.	Description	Price Each			
				1	25	50	100
653-A7B-M-1	A7B-M-1	F	Black end caps for A7BS (set of 2)	2.13	1.91	1.70	1.53
653-A7B-CP	A7B-CP	G	Connector for A7BS, PCB terminals	7.35	7.00	6.80	6.50

## OMRON A7CN SERIES: THUMBWHEEL SWITCHES

**Specifications:**

- Switching capacity: 0.1mA @ 28VDC
- Contact resistance: 200mΩ max.

**Features:**

- Compact

For quantities greater than listed, call for quote.

MOUSER STOCK NO.	Omron Part No.	Fig.	Mounting	Terminals	Color	Output Code Number	Price Each			
							1	25	50	100
<b>Single Switch Unit</b>										
653-A7CN-106-1	A7CN-106-1	H	Screw (back)	PCB	Black	06 (binary coded decimal)	5.95	5.76	5.49	5.25
653-A7CN-206-1	A7CN-206-1	I	Snap-in (front)	PCB	Black	06 (binary coded decimal)	5.95	5.76	5.49	5.25

**Accessories**

For quantities greater than listed, call for quote.

MOUSER STOCK NO.	Omron Part No.	Fig.	Mounting	Description	Price Each			
					1	25	50	100
653-A7CN-1M-1	A7CN-1M-1	J	Screw (back)	Black end caps for A7CN (set of 2)	1.21	1.09	.97	.87
653-A7CN-2M-1	A7CN-2M-1	K	Snap-in (front)	Black end caps for A7CN (set of 2)	.83	.75	.708	.676

## OMRON A7D SERIES: THUMBWHEEL SWITCHES

**Specifications:**

- Switching capacity: 0.1A @ 30VDC
- Contact resistance: 200mΩ max.

**Features:**

- Ultra-small, low-cost, push-operated switches
- All-in-one design means fewer parts required

For quantities greater than listed, call for quote.

MOUSER STOCK NO.	Omron Part No.	Fig.	Mounting	Terminals	Color	Output Code Number	Price Each			
							1	25	50	100
<b>Single Switch Unit</b>										
653-A7D-106-1	A7D-106-1	L	Screw (back)	PCB	Black	06 (binary coded decimal)	5.05	4.82	4.59	4.38
653-A7D-206-1	A7D-206-1	M	Snap-in (front)	PCB	Black	06 (binary coded decimal)	4.93	4.70	4.48	4.28

**Accessories**

For quantities greater than listed, call for quote.

MOUSER STOCK NO.	Omron Part No.	Fig.	Mounting	Description	Price Each			
					1	25	50	100
653-A7D-2M-1	A7D-2M-1	N	Snap-in (front)	Black end caps for A7D (set of 2)	.79	.72	.703	.66

Omron Thumbwheel Switches