

OMRON Rotary DIP Switches

RoHS Compliant This product is RoHS compliant.

OMRON
ELECTRONIC COMPONENTS

OMRON A6C SERIES: SEALED ROTARY DIP SWITCHES

Specifications:

- Switching capacity: 100mA @ 30VDC
- Contact resistance: 200MΩ max.
- Insulation resistance: 100MΩ min. (@ 250VDC)
- Dielectric strength: 250VAC for 1 minute between terminals

Features:

- Highly reliable subminiature DIP switch
- A precise rotary cam and contact driving mechanism achieves compactness for high-precision mounting
- Offset between terminal pins and side of case allows simple circuit inspection

For quantities greater than listed, call for quote.

MOUSER STOCK NO.	Omron Part No.	Fig.	No. of Positions	Actuator	Output Code 1-2-4-8	Price Each			
						1	25	50	100
653-A6C-10RN	A6C-10R(N)	A	10	Top	BCD	5.84	5.23	4.66	4.19
653-A6C-16RN	A6C-16R(N)	A	16	Top	BCD Hexadecimal	4.20	3.77	3.35	3.02
653-A6CV-10R	A6CV-10R	B	10	Side	BCD	5.67	5.10	4.53	4.08
653-A6CV-16R	A6CV-16R	B	16	Side	BCD Hexadecimal	6.11	5.50	4.89	4.40

OMRON A6RS SERIES: SURFACE MOUNT ROTARY DIP SWITCHES

Specifications:

- Switching capacity: 25mA @ 24VDC
- Contact resistance: 200MΩ max.
- Insulation resistance: 100MΩ min. (@ 250VDC)

Features:

- Temperature-resistant resin allows use in peak reflow temperatures of 260°C
- Two different types of terminal arrangements are available to allow flexibility in the circuit design

For quantities greater than listed, call for quote.

MOUSER STOCK NO.	Omron Part No.	Fig.	No. of Positions	Actuator	Shaft	Terminal Arrangement	Output Code 1-2-4-8	Price Each			
								1	25	50	100
653-A6RS-101RF	A6RS-101RF	C	10	Top	Flat	4 x 1	BCD	4.24	3.59	3.19	2.91
653-A6RS-102RF	A6RS-102RF	C	10	Top	Flat	3 x 3	BCD	3.31	3.20	3.15	3.07
653-A6RS-161RF	A6RS-161RF	C	16	Top	Flat	4 x 1	BCD Hexadecimal	5.72	4.55	3.48	3.12
Embossed Tape, Full reel is 750											
653-A6RS-101RF-P	A6RS-101RF-P	C	10	Top	Flat	4 x 1	BCD	3.34	2.98	2.66	2.51
653-A6RS-102RF-P	A6RS-102RF-P	C	10	Top	Flat	3 x 3	BCD	3.37	2.98	2.66	2.51
653-A6RS-162RF-P	A6RS-162RF-P	C	16	Top	Flat	3 x 3	BCD Hexadecimal	3.31	2.94	2.64	2.49
* 653-A6RS-162RS-P	A6RS-162RS-P	D	16	Top	Extended	3 x 3	BCD Hexadecimal	3.70	3.44	3.10	2.96

OMRON A6R/A6RV SERIES: LOW-COST ROTARY DIP SWITCHES

Specifications:

- Switching capacity: 25mA @ 24VDC
- Contact resistance: 200MΩ max.
- Insulation resistance: 100MΩ min. (@ 250VDC)

Features:

- The rotor has an O-ring sealed construction that prevents the ingress of dirt and dust
- Two different types of terminal arrangements are available for each model to allow flexibility of circuit design

For quantities greater than listed, call for quote.

MOUSER STOCK NO.	Omron Part No.	Fig.	No. of Positions	Actuator	Shaft	Terminal Arrangement	Output Code 1-2-4-8	Price Each			
								1	25	50	100
653-A6R-101RF	A6R-101RF	E	10	Top	Flat	4 x 1	BCD	3.91	3.75	3.57	3.22
653-A6R-102RF	A6R-102RF	E	10	Top	Flat	3 x 3	BCD	4.10	3.93	3.74	3.37
653-A6R-161RF	A6R-161RF	E	16	Top	Flat	4 x 1	BCD Hexadecimal	3.20	3.10	2.93	2.64
653-A6R-162RF	A6R-162RF	E	16	Top	Flat	3 x 3	BCD Hexadecimal	4.14	3.97	3.79	3.42
653-A6R-101RS	A6R-101RS	F	10	Top	Extended	4 x 1	BCD	3.49	3.34	3.19	2.88
653-A6R-102RS	A6R-102RS	F	10	Top	Extended	3 x 3	BCD	4.79	4.73	3.82	3.44
653-A6R-161RS	A6R-161RS	F	16	Top	Extended	4 x 1	BCD Hexadecimal	4.70	4.18	3.74	3.29
653-A6R-162RS	A6R-162RS	F	16	Top	Extended	3 x 3	BCD Hexadecimal	4.81	4.65	4.15	3.73
653-A6RV-102RF	A6RV-102RF	G	10	Side	Flat	3 x 3	BCD	4.09	3.82	3.73	3.35
653-A6RV-161RF	A6RV-161RF	G	16	Side	Flat	4 x 1	BCD Hexadecimal	4.31	4.06	3.62	3.26
653-A6RV-101RS	A6RV-101RS	H	10	Side	Extended	4 x 1	BCD	5.06	4.63	4.16	3.93
653-A6RV-102RS	A6RV-102RS	H	10	Side	Extended	3 x 3	BCD	4.45	4.16	3.97	3.66
653-A6RV-161RS	A6RV-161RS	H	16	Side	Extended	4 x 1	BCD Hexadecimal	4.69	4.38	4.17	3.85
653-A6RV-162RS	A6RV-162RS	H	16	Side	Extended	3 x 3	BCD Hexadecimal	4.69	4.41	4.28	3.85

OMRON A6K/A6KS/A6KSV SERIES: MINIATURE ROTARY DIP SWITCHES

Specifications:

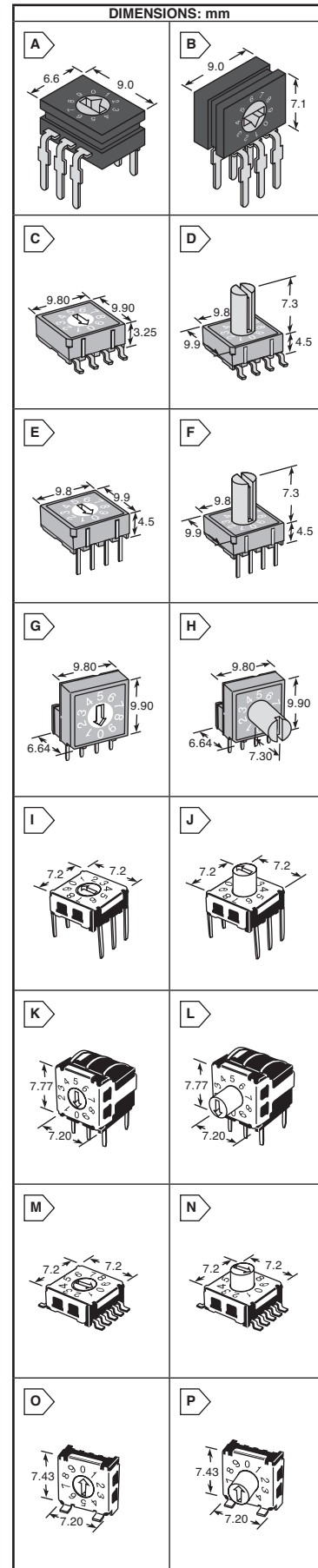
- Contact resistance: 200mΩ max. (initial value)
- Insulation resistance: 100MΩ min.

Features:

- Mounting space reduced by 50% compared with conventional models
- Gold-plated contacts ensure high reliability

For quantities greater than listed, call for quote.

MOUSER STOCK NO.	Omron Part No.	Fig.	No. of Positions	Actuator	Shaft	Terminal Arrangement	Output Code 1-2-4-8	Price Each			
								1	25	50	100
Thru-Hole											
653-A6K-102RF	A6K-102RF	I	10	Top	Flat	3 x 3	BCD	5.51	4.94	4.59	4.30
653-A6K-104RF	A6K-104RF	I	10	Top	Flat	5 x 2	BCD	5.51	4.94	4.59	4.30
653-A6K-162RF	A6K-162RF	I	16	Top	Flat	3 x 3	BCD Hexadecimal	5.58	5.03	4.61	4.24
653-A6K-164RF	A6K-164RF	I	16	Top	Flat	5 x 2	BCD Hexadecimal	5.11	4.60	4.22	3.89
653-A6K-102RS	A6K-102RS	J	10	Top	Extended	3 x 3	BCD	5.51	4.94	4.59	4.30
653-A6K-104RS	A6K-104RS	J	10	Top	Extended	5 x 2	BCD	5.51	4.94	4.59	4.30
653-A6K-162RS	A6K-162RS	J	16	Top	Extended	3 x 3	BCD Hexadecimal	5.58	5.03	4.61	4.24
653-A6K-164RS	A6K-164RS	J	16	Top	Extended	5 x 2	BCD Hexadecimal	5.27	4.75	4.36	4.01
653-A6KV-102RF	A6KV-102RF	K	10	Side	Flat	3 x 3	BCD	6.19	5.55	5.16	4.83
653-A6KV-104RF	A6KV-104RF	K	10	Side	Flat	5 x 2	BCD	6.19	5.55	5.16	4.83
653-A6KV-162RF	A6KV-162RF	K	16	Side	Flat	3 x 3	BCD Hexadecimal	6.19	5.55	5.16	4.83
653-A6KV-164RF	A6KV-164RF	K	16	Side	Flat	5 x 2	BCD Hexadecimal	5.73	5.44	5.25	5.18
653-A6KV-102RS	A6KV-102RS	L	10	Side	Extended	3 x 3	BCD	5.73	5.44	5.25	5.18
653-A6KV-104RS	A6KV-104RS	L	10	Side	Extended	5 x 2	BCD	5.73	5.44	5.25	5.18
653-A6KV-162RS	A6KV-162RS	L	16	Side	Extended	3 x 3	BCD Hexadecimal	6.19	5.55	5.16	4.83
653-A6KV-164RS	A6KV-164RS	L	16	Side	Extended	5 x 2	BCD Hexadecimal	6.19	5.55	5.16	4.83
SMT											
653-A6KS-102RF	A6KS-102RF	M	10	Top	Flat	3 x 3	BCD	6.19	5.55	5.16	4.83
653-A6KS-104RF	A6KS-104RF	M	10	Top	Flat	5 x 2	BCD	6.19	5.55	5.16	4.83
653-A6KS-162RF	A6KS-162RF	M	16	Top	Flat	3 x 3	BCD Hexadecimal	5.73	5.50	5.10	5.00
653-A6KS-164RF	A6KS-164RF	M	16	Top	Flat	5 x 2	BCD Hexadecimal	6.19	5.55	5.16	4.83
653-A6KS-102RS	A6KS-102RS	N	10	Top	Extended	3 x 3	BCD	6.28	5.66	5.18	4.77
653-A6KS-104RS	A6KS-104RS	N	10	Top	Extended	5 x 2	BCD	6.28	5.66	5.18	4.77
653-A6KS-162RS	A6KS-162RS	N	16	Top	Extended	3 x 3	BCD Hexadecimal	6.27	5.65	5.18	4.77
653-A6KS-164RS	A6KS-164RS	N	16	Top	Extended	5 x 2	BCD Hexadecimal	6.19	5.55	5.16	4.83
653-A6KSV-104RF	A6KSV-104RF	O	10	Side	Flat	5 x 2	BCD	5.32	5.25	5.18	5.00
653-A6KSV-164RF	A6KSV-164RF	O	16	Side	Flat	5 x 2	BCD Hexadecimal	6.19	5.55	5.16	4.83
653-A6KSV-104RS	A6KSV-104RS	P	10	Side	Extended	5 x 2	BCD	5.73	5.59	5.49	5.27
653-A6KSV-164RS	A6KSV-164RS	P	16	Side	Extended	5 x 2	BCD Hexadecimal	6.27	5.65	5.18	4.77



Coded Rotary Switches Omron