

Rotary Switches

Mountain Switch ROTARY DIP SWITCHES

RoHS Compliant This product is RoHS compliant.

- Rating: Switching: 25mA/24VDC Non-Switching: 100mA/50VDC

- Insulation Resistance: 100 MΩ min.
- Operating Force: 200gf



RoHS Compliant

Thru-Hole Terminals

For quantities greater than listed, call for quote.

MOUSER STOCK NO.	Fig.	Number of Positions	Terminal Arrangement	Price Each			
				1	25	50	100
106-H2A10-EV	A	10	3x2	2.37	2.15	1.95	1.77
106-H2A16-EV	A	16	3x2	2.53	2.30	2.09	1.90
106-H2H16-EV	B	16	3x2	2.53	2.30	2.09	1.90
106-H3A10-EV	A	10	3x3	2.37	2.15	1.95	1.77
106-H3A16-EV	A	16	3x3	2.53	2.30	2.09	1.90
106-H3H16-EV	B	16	3x3	2.53	2.30	2.09	1.90
106-H4A10-EV	A	10	4x1	2.37	2.15	1.95	1.77
106-H4A16-EV	A	16	4x1	2.53	2.30	2.09	1.90
106-H4H10-EV	B	10	4x1	2.53	2.30	2.09	1.90

Right Angle Terminals

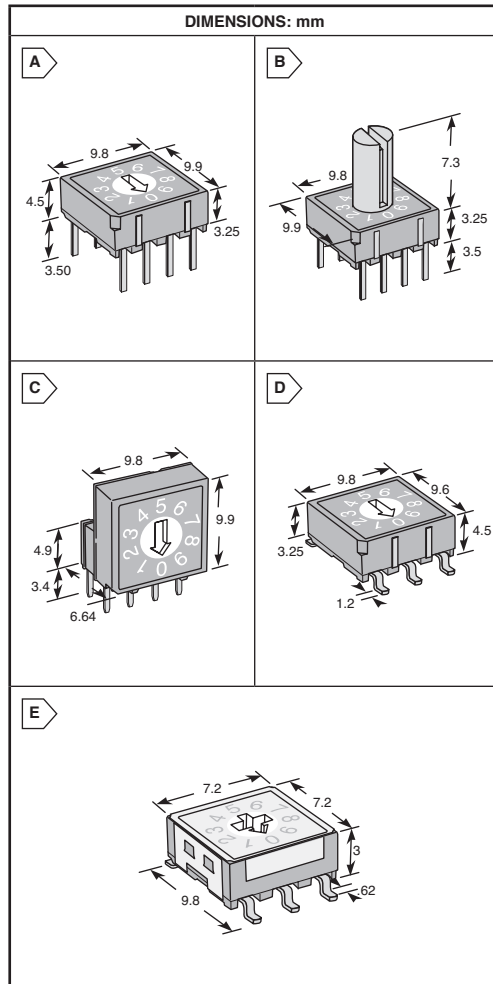
For quantities greater than listed, call for quote.

MOUSER STOCK NO.	Fig.	Number of Positions	Terminal Arrangement	Price Each			
				1	25	50	100
106-V3A10-EV	C	10	3x3	2.53	2.30	2.09	1.90
106-V4A10-EV	C	10	4x1	2.53	2.30	2.09	1.90
106-V4A16-EV	C	16	4x1	2.96	2.47	2.24	2.04

SMD Terminals

For quantities greater than listed, call for quote.

MOUSER STOCK NO.	Fig.	Number of Positions	Terminal Arrangement	Price Each			
				1	25	50	100
106-M2A10-EV	D	10	3x2	2.96	2.47	2.24	2.04
106-M4A10-EV	D	10	4x1	2.53	2.30	2.09	1.90
106-M4A16-EV	D	16	4x1	2.78	2.67	2.56	2.35
106-M7316A-EV	E	16	3x3	3.94	3.29	2.99	2.72



Rotary Switches

WB[®] ROTARY SWITCHES

MR Series

- Rating: 0.5A/24VDC; 0.2A/48VDC
- Operating force: 400gf-250gf



RoHS Compliant

For quantities greater than listed, call for quote.

MOUSER STOCK NO.	Well Buying Part No.	Fig.	Number of Positions	Price Each		
				1	50	100
107-MR-12-A3	MR-12-A8	A	2	2.60	2.17	1.97
107-MR-13-A4	MR-13-A4	A	3	2.60	2.17	1.97
107-MR-14-A5	MR-14-A5	A	4	2.60	2.17	1.97
107-MR-16-A7	MR-16-A7	A	6	2.60	2.17	1.97
107-MR-18-A8	MR-18-A8	A	8	2.60	2.17	1.97

RS Series

- Rating: 0.5A/30VDC
- Operating force: 1000±320gf

For quantities greater than listed, call for quote.

MOUSER STOCK NO.	Well Buying Part No.	Fig.	Number of Positions	Price Each		
				1	50	100
107-RS-18	RS-18	B	8	1.56	1.30	1.18

RS002 Series

- Rating: 10mA/5VDC
- Operating force: 150gf max

For quantities greater than listed, call for quote.

MOUSER STOCK NO.	Well Buying Part No.	Fig.	Number of Positions	Price Each		
				1	50	100
107-RS002-M10AAA	RS002-M10AAA	C	10	3.05	2.54	2.31

