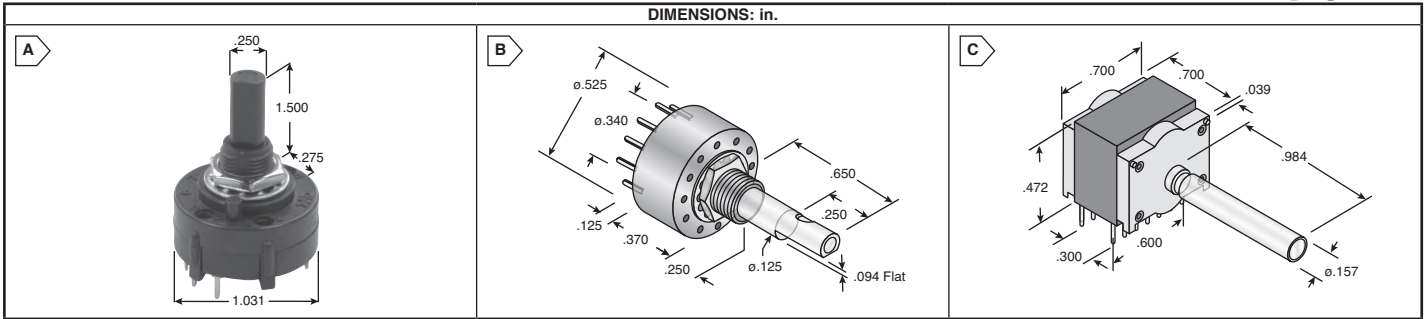


# C&K Rotary Switches



## C&K SERIES A: 1-4 POLE ROTARY SWITCHES

**Features/Benefits:**

- Multi-pole and multi-position
- Positive detent
- Non-shorting contacts
- Panel and PCB mounting

**Specifications:**

- Contact Rating: 2.5A @ 125VAC; 350mA @ 125VDC
- Dielectric Strength: 1000Vrms min. @ sea level
- Insulation Resistance: 10<sup>9</sup>Ω min.
- Contact Material: Silver

**Typical Application:**

- Automotive
- Major and small appliances
- Industrial equipment



RoHS Compliant

For quantities greater than listed, call for quote.

MOUSER STOCK NO.	C&K Part No.	Fig.	Number of Positions	Number of Poles	Terminals	Price Each			
						1	25	50	100
611-A21415RNCQ	A21415RNCQ	A	14	DP, 90° Index	PC Thru-hole	4.97	4.64	4.40	4.20
611-A10015RSCQ	A10015RSCQ	A	12	SP, 30° Index, no stops	PCB	5.41	5.12	4.68	4.53
* 611-A11205RNCQ	A11205RNCQ	A	12	SP, 30° Index	PCB	5.32	5.03	4.59	4.17
611-A112-15	A11215RNCQ	A	12	SP, 30° Index	PCB	5.14	4.86	4.44	3.99
611-A11215RNZQ	A11215RNZQ	A	12	SP, 30° Index	Solder	5.48	4.79	4.65	4.45
611-A11015RNCQ	A11015RNCQ	A	10	SP, 30° Index	PC Thru-hole	5.16	4.81	4.57	4.37
611-A10905RNCQ	A10905RNCQ	A	9	SP, 30° Index	PC Thru-hole	5.34	4.98	4.73	4.52
611-A12515RNZQ	A12515RNZQ	A	8	SP, 45° Index	Solder	6.73	5.49	5.38	5.19
611-A10715RNCQ	A10715RNCQ	A	7	SP, 30° Index	PC Thru-hole	4.67	4.35	4.14	3.94
611-A10615RSZQ	A10615RSZQ	A	6	SP, 30° Index	Solder	4.20	3.98	3.64	3.52
611-A20615RNCQ	A20615RNCQ	A	6	DP, 30° Index	PCB	7.17	5.55	5.30	4.51
611-A10605RNCQ	A10605RNCQ	A	6	SP, 30° Index	PC Thru-hole	4.69	4.37	4.15	3.96
611-A20615RNZQ	A20615RNZQ	A	6	DP, 30° Index	Solder	5.78	5.07	4.92	4.72
611-A20503RNCGE	A20503RNCGE	A	5	DP, 30° Index	PC Thru-hole	11.24	10.48	9.98	9.52
611-A30405MNZQ	A30405MNZQ	A	4	3P, 30° Index	Solder lug	6.38	5.95	5.66	5.40
** 611-A30403RNZQ	A30403RNZQ	A	4	3P, 30° Index	Solder	5.56	5.25	4.81	4.35
611-A30415RNCQ	A30415RNCQ	A	4	3P, 30° Index	PCB	5.58	4.95	4.65	4.28
611-A30415RNZQ	A30415RNZQ	A	4	3P, 30° Index	Solder	5.72	5.01	4.86	4.65
611-A40315RNZQ	A40315RNZQ	A	3	4P, 30° Index	Solder	6.98	6.35	5.98	5.67
611-A402S1RNCBE	A402S1RNCBE	A	2	4PDT, 30° Index	PC Thru-hole	12.62	11.76	11.19	10.67

\*.50" Actuator shaft

\*\*-.375" Actuator shaft

## C&K SERIES M: HALF-INCH ROTARY SWITCHES

**Features/Benefits:**

- Multi-pole and multi-positions
- Panel and PCB mounting
- Stainless steel actuator
- Non-shorting contacts

**Specifications:**

- Contact Rating: Carry 6A cont.; Switch 250mA max. @ 125VAC or 28VDC
- Dielectric Strength: 600Vrms min. @ sea level
- Insulation Resistance: 10<sup>10</sup>Ω min.
- Contact Material: Copper alloy, silver plated
- MA, MB, and MD supplied with stop pins; MD, ME, and MH supplied with stop rings

**Typical Application:**

- Test equipment
- Industrial equipment
- Medical equipment



RoHS Compliant

For quantities greater than listed, call for quote.

MOUSER STOCK NO.	C&K Part No.	Fig.	Number of Positions	Number of Poles	Terminals	Price Each			
						1	25	50	100
611-MA00L1NCQD	MA00L1NCQD	B	10	SP, 36°	PCB	10.83	10.50	9.75	9.20
611-ME00L1NCQD	ME00L1NCQD	B	10	SP, 36°	PCB	10.83	10.50	9.75	8.78
611-ME00L1NZQD	ME00L1NZQD	B	10	SP, 36°	Solder	11.09	10.11	9.29	8.51
611-MA00L1NZQD	MA00L1NZQD	B	10	SP, 36°	Solder	10.78	10.09	9.64	8.65
611-MD00L1NZQD	MD00L1NZQD	B	6	DP, 30°	Solder	12.67	12.08	11.72	11.22
611-MB00L1NZQD	MB00L1NZQD	B	5	DP, 36°	Solder	12.32	11.76	11.40	10.92

### Hardware

For quantities greater than listed, call for quote.

MOUSER STOCK NO.	C&K Part No.	Fig.	Description	Price Each			
				1	25	50	100
611-537100000	537100000	--	Replacement stop pins	.39	.30	.285	.274

## C&K SERIES MIL: 1-4 POLES RIGHT ANGLE ROTARY SWITCHES

**Features/Benefits:**

- Bushing option for panel mount
- 1-4 poles per bank and up to 5 banks per switch
- Totally sealed, insert molded contact and terminals
- Low profile - 12mm above PCB

**Specifications:**

- Contact Rating: Carry 1A; Switch 20mA, 1VA max.
- Dielectric Strength: 500Vrms
- Insulation Resistance: 10<sup>9</sup>Ω
- Contact Material: Brass, gold plated

**Typical Application:**

- Telecom switching equipment
- Military communications
- Instrumentation
- Medical monitors



RoHS Compliant

For quantities greater than listed, call for quote.

MOUSER STOCK NO.	C&K Part No.	Fig.	Number of Positions	Number of Poles	Terminals	Price Each			
						1	25	50	100
611-MIL1112SNSD25	MIL1112SNSD25	C	12 no stop	1	No	34.30	32.44	29.66	28.74
611-MIL1303B03NSD2	MIL1303B03NSD25	C	3	3	No	39.63	37.48	34.27	33.20
611-MIL2112B12NSD2	MIL2112B12NSD25	C	12	1	No	63.26	59.84	54.72	53.01
611-MIL1303B03NAD2	MIL1303B03NAD25	C	3	3	Yes	46.52	44.01	40.24	38.98