

Coded Rotary DIP Switches

APEM ROTARY DIP SWITCHES

Specifications:

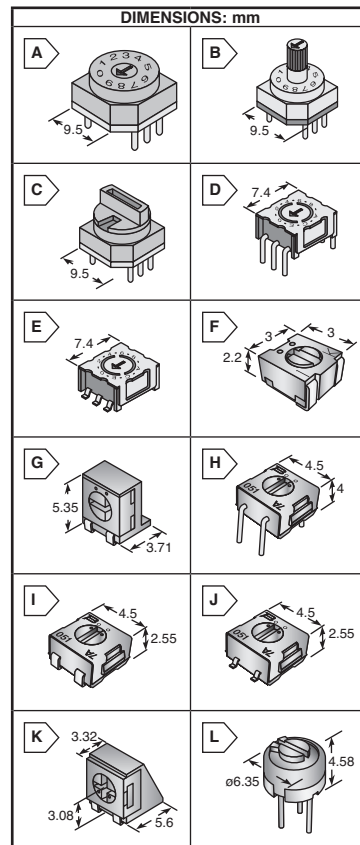
- Operating voltage: 24VDC max
- Contact rating, static: 400mA max

Features:

- 3+3 terminal layout
- Completely sealed for process compatibility
- Clockwise or counterclockwise settable
- Solder coated terminals

For quantities greater than listed, call for quote.

MOUSER STOCK NO.	Apem Part No.	Fig.	No. of Positions	Description	Price Each			
					1	25	50	100
Thru-Hole								
642-PT65101	PT65101	A	10	True Binary coded decimal	4.30	3.85	3.63	3.21
642-PT65106	PT65106	A	16	Complimentary binary coded decimal	6.14	5.52	5.22	4.60
642-PT65301	PT65301	B	10	True Binary coded decimal	6.18	5.56	5.25	4.92
642-PT65303	PT65303	B	16	Complimentary binary coded hexadecimal	7.05	6.36	6.00	5.29
642-PT65501	PT65501	C	10	True Binary coded decimal	6.34	6.03	5.71	5.40
642-PT65503	PT65503	C	16	Complimentary binary coded hexadecimal	9.58	8.96	8.45	7.90
642-P36101	P36101	D	10	True Binary coded decimal	5.17	4.62	4.36	4.07
642-P36103	P36103	D	16	Complimentary binary coded hexadecimal	4.70	4.20	3.96	3.70
Surface Mount								
642-P36S101	P36S101	E	10	True Binary coded decimal	5.12	4.85	4.60	4.39
642-P36S103	P36S103	E	16	Complimentary binary coded decimal	4.77	4.30	4.05	3.53



BOURNS® SEALED ROTARY SWITCHES

Specifications:

- Contact Form: SPST
- Max. Current Rating: 100mA
- Max. Voltage Rating: 16V
- Contact Timing: Non-Shorting
- Rotational Life: 2000 cycles

Features:

- Tape and Reel packaging on surface mount terminal types.

Applications:

- Security Systems
- Portable Electronics
- Instrumentation

For quantities greater than listed, call for quote.

MOUSER STOCK NO.	Bourns Part No.	Fig.	Size (mm)	Terminal Type	Package Quantity	Price Each			
						1	25	50	100
652-7813J-1-023E	7813J-1-023E	F	3	SMD J-Hook	1000	2.31	2.04	1.91	1.71
652-7813S-1-023E	7813S-1-023E	G	3	SMD Right angle	200	1.82	1.74	1.56	1.27
652-7814H-1-023	7814H-1-023	H	4	Through-hole	100	1.82	1.74	1.56	1.27
652-7814J-1-023E	7814J-1-023E	I	4	SMD J-Hook	500	2.31	2.04	1.91	1.71
652-7814G-1-023E	7814G-1-023E	J	4	SMD Gull wing	500	2.31	2.04	1.91	1.71
652-7814Z-1-023E	7814Z-1-023E	K	4	SMD Right angle	200	1.82	1.74	1.56	1.27
652-7829S-1-023LF	7829S-1-023LF	L	ø6	Right angle through hole	50	1.83	1.70	1.51	1.39

G&K CD SERIES: 8MM ULTRA-MINIATURE CODED ROTARY

Specifications:

- Process sealed to withstand soldering and cleaning
- Contact rating: 0.4VA max. @ 20VAC or VDC max.
- Mechanical and Electrical life: 20,000 actuations
- Dielectric Strength: 250V RMS min.



RoHS Compliant

For quantities greater than listed, call for quote.

MOUSER STOCK NO.	Mfr. Part No.	Fig.	Pos.	Code Configuration	Price Each			
					1	25	50	100
PC Thru-Hole								
611-CD10RM0CB	A	10		Binary Coded Decimal, True	4.74	4.20	3.98	3.79
Right Angle, PC Thru - Hole								
611-CD16RM0AB	B	16		Hexadecimal, True	4.36	3.72	3.50	3.32
Surface Mount								
611-CD16RM0SB	C	16		Hexadecimal, True	5.89	5.22	4.99	4.71

True

Type	Position	Code							
		C	1	2	4	8			
BCD	0	*	*	*	*	*	*	*	*
	1	*	*	*	*	*	*	*	*
	2	*	*	*	*	*	*	*	*
	3	*	*	*	*	*	*	*	*
	4	*	*	*	*	*	*	*	*
	5	*	*	*	*	*	*	*	*
	6	*	*	*	*	*	*	*	*
	7	*	*	*	*	*	*	*	*
	8	*	*	*	*	*	*	*	*
	9	*	*	*	*	*	*	*	*
Hexadecimal	A	*	*	*	*	*	*	*	*
	B	*	*	*	*	*	*	*	*
	C	*	*	*	*	*	*	*	*
	D	*	*	*	*	*	*	*	*
	E	*	*	*	*	*	*	*	*
	F	*	*	*	*	*	*	*	*

Compliment

Type	Position	Code							
		C	1	2	4	8			
BCD	0	*	*	*	*	*	*	*	*
	1	*	*	*	*	*	*	*	*
	2	*	*	*	*	*	*	*	*
	3	*	*	*	*	*	*	*	*
	4	*	*	*	*	*	*	*	*
	5	*	*	*	*	*	*	*	*
	6	*	*	*	*	*	*	*	*
	7	*	*	*	*	*	*	*	*
	8	*	*	*	*	*	*	*	*
	9	*	*	*	*	*	*	*	*
Hexadecimal	A	*	*	*	*	*	*	*	*
	B	*	*	*	*	*	*	*	*
	C	*	*	*	*	*	*	*	*
	D	*	*	*	*	*	*	*	*
	E	*	*	*	*	*	*	*	*
	F	*	*	*	*	*	*	*	*

G&K CRD SERIES: 10MM CODED ROTARY SWITCHES

Specifications:

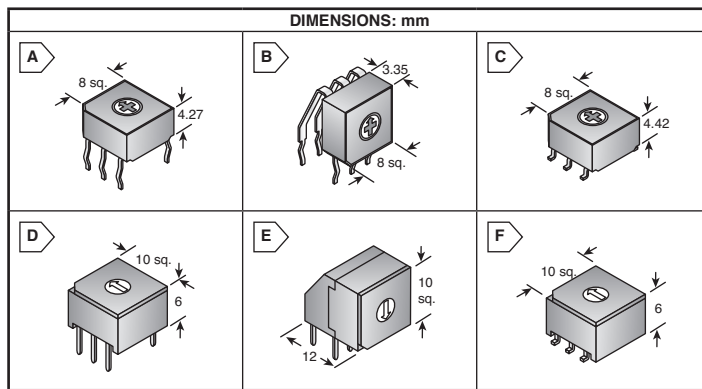
- Process sealed to withstand soldering and cleaning
- Flush, Screwdriver slot actuator
- Contact rating: 0.4VA max. @ 20VAC or VDC max.
- Mechanical Life: 20,000 actuations @ 5VDC 10 mA
- Electrical Life: 30,000 actuations
- Dielectric Strength: 300VAC for 1 minute



RoHS Compliant

For quantities greater than listed, call for quote.

MOUSER STOCK NO.	Mfr. Part No.	Fig.	Pos.	Code Configuration	Price Each			
					1	25	50	100
PC Thru-Hole								
611-CRD10RM0CB	D	10		Binary Coded Decimal, True	5.50	5.25	4.99	4.74
611-CRD16RM0CB	D	16		Hexadecimal, True	6.06	5.77	5.48	5.21
611-CRD16CM0CB	D	16		Hexadecimal, Complement	5.08	4.92	4.45	4.23
Right Angle, PC Thru-Hole								
611-CRD16CM0AB	E	16		Hexadecimal, Complement	6.94	6.61	6.30	5.97
Surface Mount								
611-CRD10RM0SB	F	10		Binary Coded Decimal, True	6.20	5.91	5.61	5.33
611-CRD16RM0SB	F	16		Hexadecimal, True	7.46	6.60	6.18	5.51
611-CRD16CM0SBR	F	16		Hexadecimal Complement	5.06	4.73	4.45	4.16



G&K RW SERIES: SUB-MINIATURE ROTARY SWITCHES



RoHS Compliant



For quantities greater than listed, call for quote.

MOUSER STOCK NO.	C&K Part No.	Fig.	Pos.	Terminal Type	Contact Form	Current Rating	Voltage Rating	Price Each			
								1	25	100	250
611-RW-108-NSRT	RW-108-NS RT	A	8	SMD/SMT	SP8T	100 Amps	16V	2.15	1.93	1.76	1.54
611-RW-1106NSRT	RW-1106 NS RT	B	10	SMD/SMT	SP10T	10 Amps	5V	1.72	1.54	1.30	1.20

