

NKK Rocker Switches

RoHS Compliant This product is RoHS compliant.

NKK CW SERIES: SNAP-IN POWER ROCKERS

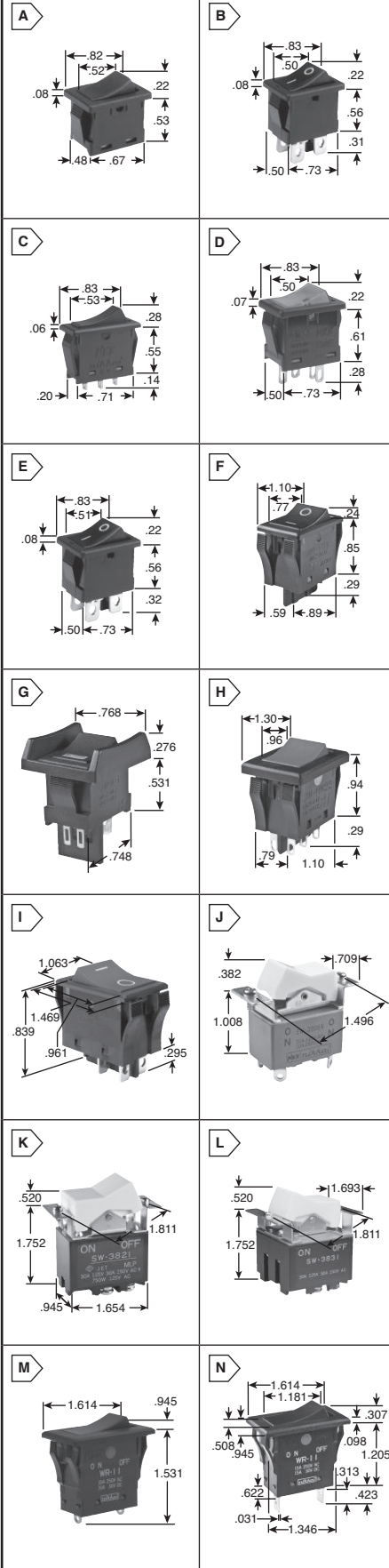
Power Rating: • CWSA & CWSB: 6A @ 250V AC • CWT: 6A @ 125V AC; 3A @ 250V AC



For quantities greater than listed, call for quote.

MOUSER STOCK NO.	NKK Part No.	Fig.	Circuit	Inscription	Termination	Price Each			
						1	25	50	100
633-CWSA12AANS	CWSA12AANS	A	SPDT On-None-On	None	Solder lug	1.80	1.77	1.74	1.69
633-CWSB11AAF	CWSB11AAF	B	SPST On-None-Off	None	Quick connect	3.41	2.08	1.85	1.81
633-CWSB11AA1F	CWSB11AA1F	B	SPST On-None-Off	Horizontal	Quick connect	1.80	1.68	1.63	1.58
633-CWSB11AA2F	CWSB11AA2F	B	SPST On-None-Off	Vertical	Quick connect	1.78	1.53	1.44	1.37
633-CWSB11AA3F	CWSB11AA3F	B	SPST On-None-Off	Dot	Quick connect	2.03	1.93	1.82	1.71
633-CWSB21AA1F	CWSB21AA1F	B	DPST On-None-Off	Horizontal	Quick connect	2.72	2.67	2.62	2.54
633-CWSB21AA2F	CWSB21AA2F	B	DPST On-None-Off	Vertical	Quick connect	2.72	2.67	2.62	2.19
633-CWT12AAS1	CWT12AAS1	C	SPDT On-None-On	None	Solder lug	2.11	1.71	1.60	1.52

DIMENSIONS: in.



NKK CW SERIES: ILLUMINATED SNAP-IN MINIATURE ROCKERS

Termination:

- LED illuminated rockers:
 - .110" solder/quick connect
 - Neon illuminated rockers:
 - .187" solder/quick connect

Single Element LED Specifications

Color	Red	Amber	Green
Forward Peak Current	30mA	30mA	30mA
Continuous Forward Current	20mA	20mA	20mA
Forward Voltage	1.95V	2.0V	2.1V
Reverse Peak Voltage	5V	5V	5V
Current Reduction Rate Above 25°C	0.41mA/°C	0.29mA/°C	0.39mA/°C
Ambient Temperature Range	-10~+50°C		

Neon Lamp Specifications

Color	Red	Amber	Green
Voltage AC	125V	125V	125V
Internal Series Resistance	33KΩ	33KΩ	68KΩ
Current	1.4mA	1.4mA	0.6mA
Endurance (Hours)	15,000	15,000	8,000

For quantities greater than listed, call for quote.

MOUSER STOCK NO.	NKK Part No.	Fig.	Circuit	Illumination	Rocker Description	Price Each			
						1	25	50	100
LED Illumination, Power Rating: 9A @ 125V AC or 6A @ 250V AC									
633-CWSC11JCACS	CWSC11JCACS	D	SPST On-None-Off	Red	Clear/Red Diffuser	3.63	3.55	3.51	3.36
633-CWSC11JFAFS	CWSC11JFAFS	D	SPST On-None-Off	Green	Clear/Green Diffuser	3.33	3.27	3.22	3.12
633-CWSC21JCACS	CWSC21JCACS	D	DPST On-None-Off	Red	Clear/Red Diffuser	5.77	5.66	5.59	5.18
633-CWSC21JFAFS	CWSC21JFAFS	D	DPST On-None-Off	Green	Clear/Green Diffuser	6.28	6.18	6.08	5.18

Neon Illumination, Power Rating: 9A @ 125V AC

633-CWSB21CACF	CWSB21CACF	E	DPST On-None-Off	Red	Red	2.88	2.77	2.68	2.60
633-CWSB21FAFF	CWSB21FAFF	E	DPST On-None-Off	Green	Green	3.69	3.64	3.58	3.35

NKK JW SERIES: HIGH INRUSH TV RATED ROCKERS

Power Rating:

- JWM: TV-5 Rated 10A @ 125/250V AC
- JWL: TV-8 Rated 16A @ 125/250V AC

Terminations:

- JWM: .110" solder/quick connect
- JWL: .187" solder/quick connect

For quantities greater than listed, call for quote.

MOUSER STOCK NO.	NKK Part No.	Fig.	Circuit	Cap Color	Inscription	Price Each			
						1	25	50	100
633-JWM11RAA	JWM11RAA	F	SPST On-Off	Black	None	5.04	4.69	4.22	4.13
633-JWM11BA1A-A	JWM11BA1A-A	F	SPST On-Off	Black	Horizontal	7.27	6.88	6.67	6.48
633-JWM11BA2A-A	JWM11BA2A-A	F	SPST On-Off	Black	Vertical	7.27	6.88	6.67	6.48
633-JWM11RC2A	JWM11RC2A	F	SPST On-Off	Red	Vertical	6.12	5.56	5.23	4.88
633-JWM12RAA	JWM12RAA	F	SPDT On-On	Black	None	6.59	5.98	5.27	5.04
633-JWM21BA1A-A	JWM21BA1A-A	F	DPST On-Off	Black	Horizontal	7.34	7.12	7.11	6.66
633-JWM21BA2A-A	JWM21BA2A-A	F	DPST On-Off	Black	Vertical	7.58	7.35	7.13	6.91
633-JWM21RA1A	JWM21RA1A	F	DPST On-Off	Black	Horizontal	8.14	7.20	6.98	6.34
633-JWM21RA2A	JWM21RA2A	F	DPST On-Off	Black	Vertical	7.56	7.34	7.12	6.27
633-JWM22RAA	JWM22RAA	F	DPDT On-On	Black	None	9.27	8.06	6.59	6.17
633-JWM22BAA-A	JWM22BAA-A	F	DPST On-On	Black	None	9.60	8.74	8.22	7.70
633-JWM22RAA/UCV	JWM22RAA/UCV	F	DPDT On-On	Black	None	8.04	7.04	6.81	6.48
633-JWM22RCA/UCV	JWM22RCA/UCV	F	DPDT On-On	Black	None	8.60	7.30	7.08	6.72
633-JWM22RCA	JWM22RCA	F	DPDT On-On	Red	None	8.87	8.06	7.58	7.09
633-JWS11BAAF-A	JWS11BAAF-A	G	DPST On-Off	Black	None	5.75	5.53	5.24	4.95
633-JWS21BCA-A	JWS21BCA-A	G	DPST On-Off	Red	None	6.59	6.05	5.58	5.37
633-JWS21RAA	JWS21RAA	G	DPST On-Off	Black	None	5.10	4.77	4.49	4.21
633-JWL11RAA	JWL11RAA	H	SPST On-Off	Black	None	7.49	6.16	5.83	5.65
633-JWL11BA2A-A	JWL11BA2A-A	H	SPST On-Off	Black	None	9.00	8.52	8.28	8.03
633-JWL11BCA-H	JWL11BCA-H	H	SPST On-Off	Red	None	7.64	7.25	6.75	5.95
633-JWL11RA2A	JWL11RA2A	H	SPST On-Off	Black	Vertical	9.66	7.86	7.62	6.72
633-JWL21BA2A-A	JWL21BA2A-A	H	DPST On-Off	Black	None	10.64	10.53	10.43	10.34
633-JWL21RA1A	JWL21RA1A	H	DPST On-Off	Black	Horizontal	10.98	10.66	10.35	9.12
633-JWL21RA2A	JWL21RA2A	H	DPST On-Off	Black	Vertical	10.98	10.66	10.35	9.12
633-JWL22RAA	JWL22RAA	H	DPDT On-On	Black	None	10.75	9.75	9.16	8.57
633-JWL22BAA-A	JWL22BAA-A	H	DPDT On-On	Black	None	11.99	11.61	11.48	10.96
633-JWL22RCA	JWL22RCA	H	DPDT On-On	Red	None	12.79	11.60	10.90	10.19

JWLW: IP67 of IEC60529 Standards

633-JWLW21RA1A	JWLW21RA1A	I	DPST On-Off	Black	Horizontal	12.54	11.39	10.45	9.36
633-JWLW21RC1A	JWLW21RC1A	I	DPST On-Off	Red	Horizontal	12.54	11.39	10.45	9.65
633-JWLW22RAA	JWLW22RAA	I	DPDT On-On	Black	None	13.98	12.70	11.65	10.44
633-JWLW22RCA	JWLW22RCA	I	DPDT On-On	Red	None	13.48	11.79	11.72	10.44
633-JWMMW11RA1A	JWMMW11RA1A	F	SPST On-Off	Black	Horizontal	7.75	6.48	6.22	5.72
633-JWMMW21RA2A	JWMMW21RA2A	F	DPST On-Off	Black	Vertical	9.76	7.82	7.41	7.20

NKK SW SERIES: MEDIUM AND HIGH CAPACITY ROCKER SWITCHES

Specifications:

- Solder and screw lug terminals available
- Screw lug includes screws and mounting hardware

- Long electrical and mechanical life
- Actuator Color: White



MOUSER STOCK NO.	NKK Part No.	Fig.	Circuit	Resistive Load				Inductive	Price Each			
				AC 125V	AC 250V	AC 30V	AC 10A		1	25	50	100
Medium Capacity, Solder Lug Termination												
633-SW3006A-RO	SW3006A	J	DPDT On-None-On	20A	10A	20A	10A	5.11	4.86	4.70	4.56	
633-SW3007A-RO	SW3007A	J	DPDT On-Off-On	15A	6A	15A	10A	6.31	6.09	5.89	5.62	
633-SW3008A-RO	SW3008A	J	DPDT (On)-None-(On)	15A	6A	15A	10A	7.22	6.99	6.77	6.45	
High Capacity, Screw Lug Termination												
633-SW3821-RO	SW3821	K	DPST On-None-Off	30A	30A	30A	30A	22.57	21.82	21.13	20.15	
633-SW3822-RO	SW3822	K	DPDT On-None-On	30A	30A	30A	30A	22.31	21.55	20.86	19.90	
633-SW3831-RO	SW3831	L	3PST On-None-Off	30A	30A	30A	30A	33.86	32.73	31.67	30.21	
633-SW3832-RO	SW3832	L	3PDT On-None-On	30A	30A	30A	30A	41.08	39.72	38.45	36.66	
633-SW3833-RO	SW3833	L	3PDT On-Off-On	30A	30A	30A	30A	34.44	32.13	31.17	29.83	

NKK ENVIRONMENTALLY SEALED ROCKER SWITCHES

Specifications:

- Power rating: 15A @ 125/250V AC or 15A @ 30V DC
- Wire leads: AWG 16 heat resistant PVC
- Actuator color: Black
- IP67 of IEC529
- UL94V-0 Flammability Rating

For quantities greater than listed, call for quote.

MOUSER STOCK NO.	NKK Part No.	Fig.	Circuit	Terminal	Price Each			
					1	25	50	100
633-WR11AS	WR11AS	M	SPST On-None-Off	Solder lug	12.20	11.19	10.83	9.36
633-WR11AF	WR11AF	N	SPST On-None-Off	.250" QC	12.99	10.93	10.60	9.36
633-WR13AF	WR13AF	N	SPDT On-Off-On	.250" QC	12.96	11.34	10.99	10.04