

NKK Rocker Switches



NKK M SERIES: MINIATURE ROCKER SWITCHES

Specifications:

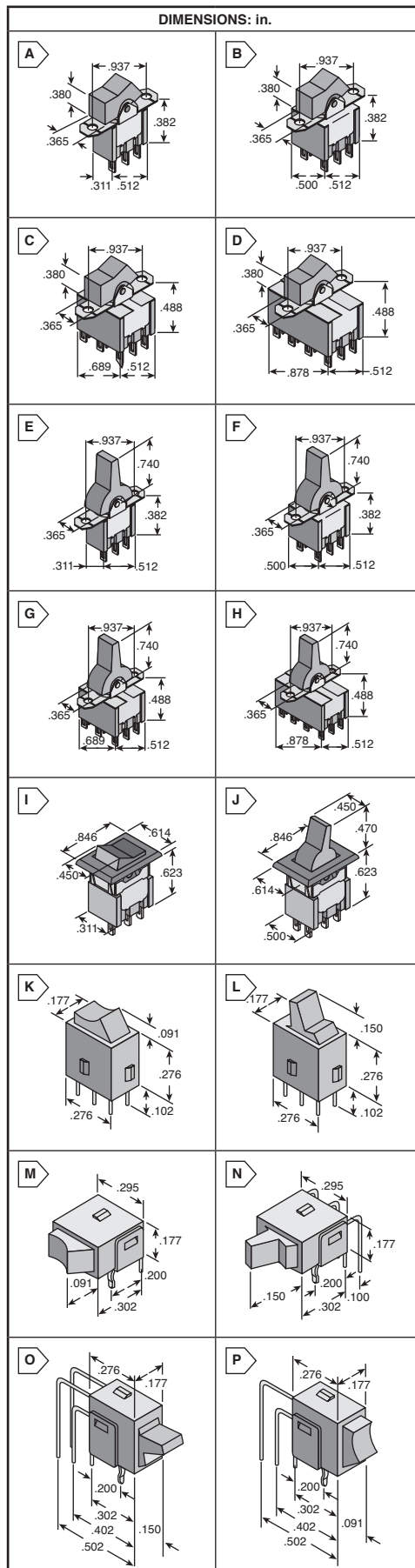
- Power rating: 6A @ 125VAC, 3A @ 250VAC
- 4A @ 30V DC for On-None-On
- 3A @ 30V DC for all other circuits
- Black actuator (Other colors available, call for quote)
- Panel Mount
- Electrical Capacity: 6A @ 125V AC and 3A @ 250V AC
- 4A @ 30V DC for On-None-On; 3A @ 30V DC for all other circuits



Panel Cutout:
 • Single pole: .626" by .492"
 • Double pole: .626" by .516"

For quantities greater than listed, call for quote.

| MOUSER STOCK NO. | NKK Part No. | Fig. | Circuit () =Momentary | Price Each | | | |
|------------------------|------------------|------|---------------------------|------------|-------|-------|------|
| | | | | 1 | 25 | 50 | 100 |
| Rocker Actuator | | | | | | | |
| 633-M201201D | M201W01-DA | A | SPDT On-None-On | 4.07 | 3.08 | 2.94 | 2.81 |
| 633-M201301D | M2013TNW01-DA | A | SPDT On-Off-On | 5.18 | 3.66 | 3.55 | 3.28 |
| 633-M202201D | M2022TNW01-DA | B | DPDT On-None-On | 6.50 | 4.55 | 4.27 | 4.13 |
| 633-M202801D | M2028TNW01-DA | B | DPDT (On)-Off-(On) | 7.63 | 7.01 | 6.80 | 6.18 |
| 633-M203201D | M2032TNW01-DA | C | 3PDT On-None-On | 8.92 | 8.85 | 8.34 | 7.59 |
| 633-M204201D | M2042TNW01-DA | D | 4PDT On-None-On | 10.88 | 9.44 | 9.05 | 8.43 |
| Paddle Actuator | | | | | | | |
| 633-M201201E | M2012TNW01-EA | E | SPDT On-None-On | 4.57 | 4.21 | 4.08 | 3.90 |
| 633-M201301E | M2013TNW01-EA | E | SPDT On-Off-On | 4.67 | 4.29 | 4.16 | 3.78 |
| 633-M201501E | M2015TNW01-EA | E | SPDT On-None-(On) | 5.13 | 4.72 | 4.57 | 4.16 |
| 633-M201801E | M2018TNW01-EA | E | SPDT (On)-Off-(On) | 6.14 | 4.08 | 3.75 | 3.69 |
| 633-M201901E | M2019TNW01-EA | E | SPDT On-Off-(On) | 5.22 | 4.80 | 4.65 | 4.23 |
| 633-M202201E | M2022TNW01-EA | F | DPDT On-None-On | 6.28 | 5.78 | 5.61 | 5.10 |
| 633-M202301E | M2023TNW01-EA | F | DPDT On-Off-On | 5.21 | 4.79 | 4.66 | 4.22 |
| 633-M202801E | M2028TNW01-EA | F | DPDT (On)-Off-(On) | 7.63 | 7.01 | 6.80 | 6.18 |
| 633-M203201E | M2032TNW01-EA | G | 3PDT On-None-On | 8.96 | 8.23 | 7.98 | 7.26 |
| 633-M204201E | M2042TNW01-EA | H | 4PDT On-None-On | 11.70 | 11.04 | 10.71 | 9.74 |
| Snap In Mount | | | | | | | |
| 633-M201201I | M2012TJW01-FA-1A | I | SPDT, On-None-On | 5.22 | 4.77 | 4.63 | 3.92 |
| 633-M2013TJW01-FA-1A | M2013TJW01-FA-1A | I | SPDT, On-Off-On | 6.29 | 4.18 | 3.80 | 3.75 |
| 633-M2015TJW01-FA-1A | M2015TJW01-FA-1A | I | SPDT, On-None-(On) | 4.64 | 4.22 | 4.15 | 4.08 |
| 633-M2018TJW01-FA-1A | M2018TJW01-FA-1A | I | SPDT, (On)-Off-(On) | 5.36 | 4.88 | 4.79 | 4.55 |
| 633-M2018TJW01-GA-1A | M2018TJW01-GA-1A | J | SPDT, (On)-Off-(On) | 5.16 | 4.70 | 4.61 | 4.53 |
| 633-M2022TJW01FA1A | M2022TJW01-FA-1A | I | DPDT, On-None-On | 7.64 | 6.17 | 5.25 | 4.99 |
| 633-M2023TJW01-FA-1A | M2023TJW01-FA-1A | I | DPDT, On-Off-On | 7.82 | 5.54 | 5.11 | 4.89 |
| 633-M2024TJW01-FA-1A | M2024TJW01-FA-1A | I | SP3T, On-On-On | 8.40 | 7.67 | 6.94 | 6.02 |
| 633-M2024TJW01GA1A | M2024TJW01-GA-1A | J | SP3T, On-On-On | 8.76 | 6.36 | 6.23 | 5.79 |
| 633-M2028TJW01-FA-1A | M2028TJW01-FA-1A | I | DPDT, (On)-Off-(On) | 8.65 | 6.20 | 5.95 | 5.64 |
| 633-M2028TJW01GA1A | M2028TJW01-GA-1A | J | DPDT, (On)-Off-(On) | 8.74 | 6.26 | 6.01 | 5.70 |



NKK GW SERIES: ULTRA THIN ROCKER SWITCHES

- Power Rating: 0.4VA max. @ 28V AC/DC max.
- UL94V-0 case
- .100" x .100" terminal spacing
- Actuator available in three colors



RoHS Compliant

For quantities greater than listed, call for quote.

| MOUSER STOCK NO. | NKK Part No. | Fig. | Circuit | Actuator Color | Price Each | | | |
|-----------------------|--------------|------|-----------------|----------------|------------|------|------|------|
| | | | | | 1 | 25 | 50 | 100 |
| Straight PC | | | | | | | | |
| 633-GW12RBP-RO | GW12RBP | K | SPDT On-None-On | Rocker/White | 3.25 | 2.69 | 2.60 | 2.27 |
| 633-GW12LBP-RO | GW12LBP | L | SPDT On-None-On | Paddle/White | 3.25 | 2.92 | 2.60 | 2.44 |
| 633-GW12RCP | GW12RCP | K | SPDT On-None-On | Rocker/Red | 2.66 | 2.60 | 2.46 | 2.23 |
| 633-GW12LCP-RO | GW12LCP | L | SPDT On-None-On | Paddle/Red | 3.25 | 2.69 | 2.44 | 2.27 |
| 633-GW12RHP-RO | GW12RHP | K | SPDT On-None-On | Rocker/Gray | 3.25 | 2.69 | 2.60 | 2.27 |
| 633-GW12LHP-RO | GW12LHP | L | SPDT On-None-On | Paddle/Gray | 3.80 | 2.69 | 2.60 | 2.44 |
| 633-GW22LBP | GW22LBP | L | DPDT On-None-On | Paddle/White | 3.94 | 3.55 | 3.16 | 2.88 |
| 633-GW22RCP | GW22RCP | K | DPDT On-None-On | Rocker/Red | 3.73 | 2.97 | 2.86 | 2.62 |
| 633-GW22LCP | GW22LCP | L | DPDT On-None-On | Paddle/Red | 3.73 | 2.97 | 2.86 | 2.62 |
| 633-GW22RHP | GW22RHP | K | DPDT On-None-On | Rocker/Gray | 3.94 | 3.55 | 3.16 | 2.77 |
| Right Angle PC | | | | | | | | |
| 633-GW12RBH-RO | GW12RBH | M | SPDT On-None-On | Rocker/White | 3.36 | 3.02 | 2.68 | 2.35 |
| 633-GW12LBH-RO | GW12LBH | N | SPDT On-None-On | Paddle/White | 3.36 | 3.02 | 2.68 | 2.52 |
| 633-GW12RCH-RO | GW12RCH | M | SPDT On-None-On | Rocker/Red | 3.10 | 2.79 | 2.48 | 2.17 |
| 633-GW12LCH-RO | GW12LCH | N | SPDT On-None-On | Paddle/Red | 3.36 | 3.02 | 2.68 | 2.52 |
| 633-GW12RHH-RO | GW12RHH | M | SPDT On-None-On | Rocker/Gray | 3.10 | 2.79 | 2.48 | 2.33 |
| 633-GW22LBH-RO | GW22LBH | N | DPDT On-None-On | Paddle/White | 4.05 | 3.65 | 3.25 | 2.85 |
| 633-GW22RHH-RO | GW22RHH | M | DPDT On-None-On | Rocker/Gray | 4.05 | 3.23 | 3.11 | 2.85 |
| 633-GW22LHH-RO | GW22LHH | N | DPDT On-None-On | Paddle/Gray | 3.73 | 3.36 | 2.99 | 2.72 |
| Vertical PC | | | | | | | | |
| 633-GW12LBV-RO | GW12LBV | O | SPDT On-None-On | Paddle/White | 3.55 | 3.20 | 2.84 | 2.49 |
| 633-GW12LCV-RO | GW12LCV | O | SPDT On-None-On | Paddle/Red | 3.36 | 2.78 | 2.68 | 2.35 |
| 633-GW12RHV-RO | GW12RHV | P | SPDT On-None-On | Rocker/Gray | 3.36 | 2.78 | 2.68 | 2.35 |
| 633-GW12LHV-RO | GW12LHV | O | SPDT On-None-On | Paddle/Gray | 3.36 | 3.02 | 2.68 | 2.35 |
| 633-GW22LBV-RO | GW22LBV | O | DPDT On-None-On | Paddle/White | 4.23 | 3.81 | 3.39 | 2.97 |
| 633-GW22LCV-RO | GW22LCV | O | DPDT On-None-On | Paddle/Red | 4.23 | 3.81 | 3.39 | 2.97 |
| 633-GW22LHV-RO | GW22LHV | O | DPDT On-None-On | Paddle/Gray | 4.05 | 3.65 | 3.25 | 2.85 |

NKK GW SERIES: ULTRA THIN FULLY ILLUMINATED PADDLES

- Power rating: 0.4VA max. @ 28V AC/DC max.
- World smallest fully illuminated paddles
- Crisp actuation
- UL94V-0 case and base



RoHS Compliant

For quantities greater than listed, call for quote.

| MOUSER STOCK NO. | NKK Part No. | Fig. | Circuit | Color | Price Each | | | |
|-----------------------|--------------|------|-----------------|-----------|------------|------|------|------|
| | | | | | 1 | 25 | 50 | 100 |
| Straight PC | | | | | | | | |
| 633-GW12LJPF-RO | GW12LJPF | L | SPDT On-None-On | Green | 5.38 | 5.04 | 4.84 | 4.52 |
| Right Angle PC | | | | | | | | |
| 633-GW12LJHF-RO | GW12LJHF | N | SPDT On-None-On | Green | 5.49 | 5.27 | 4.94 | 4.63 |
| 633-GW12LJHCF-RO | GW12LJHCF | N | SPDT On-None-On | Red/Green | 6.36 | 6.22 | 5.88 | 5.34 |
| Vertical PC | | | | | | | | |
| 633-GW12LJV-RO | GW12LJV | O | SPDT On-None-On | Green | 4.99 | 4.85 | 4.70 | 4.56 |
| 633-GW12LJVCF-RO | GW12LJVCF | O | SPDT On-None-On | Red/Green | 6.36 | 6.22 | 5.88 | 5.34 |