

MOUNTAIN SWITCH Rocker Switches



RoHS Compliant This product is RoHS compliant.

SEALED SUB-MINIATURE ROCKER SWITCHES

• Rating: 1A/250VAC, 3A/120VAC or 28VDC

For quantities greater than listed, call for quote.

MOUSER STOCK NO.	Fig.	Type	Circuit	Actuator Dimensions W (in.)	Price Each			
					1	50	100	500
103-7024-EVX	A	SPDT	On-On	0.23	3.51	3.19	2.90	2.50
103-7028-EVX	A	SPDT	(On)-Off-(On)	0.30	6.32	5.27	4.79	4.35
103-7025-EVX	B	SPDT	On-On	0.23	4.17	3.79	3.45	3.16
103-7027-EVX	B	SPDT	On-Off-On	0.23	4.30	3.58	3.25	2.95
103-7029-EVX	B	SPDT	On-Off-(On)	0.30	6.47	5.39	4.90	4.45

SEALED MINIATURE ROCKER SWITCHES

• Rating: 2A/250VAC, 5A/120VAC or 28VDC

For quantities greater than listed, call for quote.

MOUSER STOCK NO.	Fig.	Type	Circuit	Actuator Type	Price Each			
					1	50	100	500
103-7018-EVX	C	SPDT	(On)-Off-(On)	Rocker	6.47	5.39	4.90	4.45
103-7020-EVX	D	DPDT	On-On	Rocker	3.83	3.19	2.90	2.64
103-7023-EVX	E	DPDT	On-Off-On	Rocker	6.47	5.39	4.90	4.45

MINIATURE ROCKER SWITCHES

• Rating: 2A/250VAC, 5A/120VAC or 28VDC

For quantities greater than listed, call for quote.

MOUSER STOCK NO.	Fig.	Type	Circuit	Actuator Type	Price Each			
					1	50	100	500
103-7006-EVX	F	SPDT	On-On	Rocker	3.44	2.87	2.61	2.37
103-7007-EVX	G	SPDT	On-On	Rocker	3.91	3.26	2.96	2.69
103-7009-EVX	F	SPDT	On-Off-On	Paddle	3.52	3.20	2.91	2.50
103-7010-EVX	H	SPDT	(On)-Off-(On)	Rocker	3.83	3.19	2.90	2.64

ROCKER SWITCHES

Panel Mounting

• Solder Terminals
• Rating: 5A/125VAC

For quantities greater than listed, call for quote.

MOUSER STOCK NO.	Fig.	Type	Circuit	Cap Color	Price Each			
					1	50	100	500
107-DS850K-00	I	SPST	On-Off	Black	1.82	1.65	1.57	1.49
107-DS850K-02	I	SPST	On-Off	Black marked On-Off	2.47	1.93	1.88	1.83
107-DS850K-0G	J	SPST	On-Off	Illum. Green/LED	3.55	3.23	3.08	2.93
107-DS850K-0R	J	SPST	On-Off	Illum. Red/LED	3.55	3.23	3.08	2.93

Screw Type Mounting

• Contact Resistance: 50mΩ Max.
• Insulation Resistance: 500VDC 100MΩ min.

For quantities greater than listed, call for quote.

MOUSER STOCK NO.	Fig.	Type	Circuit	Cap Color	Price Each			
					1	50	100	500
Rating: 16A/125VAC, 10A/250VAC Terminal Type: .187" QC								
103-R13-135A-02-EV	K	SPST	On-Off	Black	1.41	1.30	1.22	1.06
103-R13-135A2-02-EV	K	SPST	On-Off	Illum. Black/Red Indicator	1.29	1.20	1.13	.99
103-R13-135B-02G-EV	K	SPST	On-Off	Illum. Red/Neon	1.76	1.68	1.61	1.49
103-R13-135B-02R-EV	K	SPST	On-Off	Illum. Green/Neon	1.76	1.68	1.61	1.49
103-R13-135B2-02R-EV	K	SPST	On-Off	Illum. Red Dot/Neon	2.22	2.12	2.04	1.90
103-R13-135C-02-EV	K	SPDT	On-On	Black	1.39	1.31	1.24	1.09
103-R13-135D-02-EV	K	SPDT	On-Off-On	Black	1.78	1.69	1.62	1.44

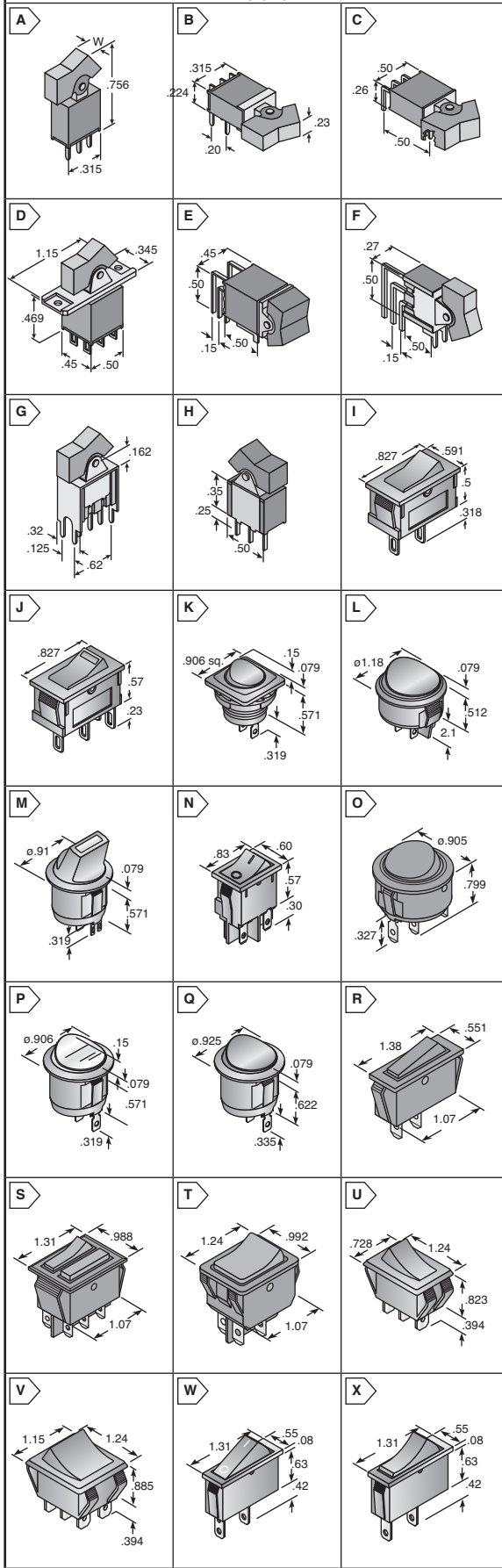
Snap-In Mounting

• Contact Resistance: 50mΩ Max.
• Insulation Resistance: 500VDC 100MΩ min.

For quantities greater than listed, call for quote.

MOUSER STOCK NO.	Fig.	Type	Circuit	Cap Color	Price Each			
					1	50	100	500
Rating: 8A/125VAC/250VAC Terminal Type: .187" QC								
103-R13-245A-02-EV	L	DPST	On-Off	Black	1.90	1.83	1.75	1.68
103-R13-245B-02R-EV	L	DPST	On-Off	Illum. Red/Neon	2.04	1.97	1.89	1.79
103-R13-245D-02-EV	L	DPDT	On-Off-On	Black	2.14	2.06	1.99	1.89
Rating: 10A/125VAC, 6A/250VAC Terminal Type: .187" QC								
103-R13-112LP-02G-EV	M	SPST	On-Off	Green Paddle End/LED	1.95	1.79	1.59	1.39
103-R13-112LP-02Y-EV	M	SPST	On-Off	Yellow Paddle End/LED	1.95	1.79	1.59	1.39
103-R13-73A-EV	N	DPST	On-Off	Black marked I-O	2.03	1.69	1.54	1.40
Rating: 16A/125VAC, 10A/250VAC Terminal Type: .187" QC								
103-7051-EV	O	SPST	On-Off	Black	1.01	.72	.64	.58
103-7053-EV	O	SPST	On-Off	Illum. Red/Neon	1.30	1.18	.98	.89
103-7055-EV	O	SPST	On-Off	Illum. Green Dot/Neon	1.30	1.18	.98	.89
103-7056-EV	O	SPST	On-Off	Illum. Red Dot/Neon	1.30	1.18	.98	.89
103-R13-112A-02-EV	P	SPST	On-Off	Black	1.00	.91	.83	.75
103-R13-112B-02G-EV	P	SPST	On-Off	Illum. Green/Neon	1.49	1.42	1.35	1.21
103-R13-112B-02R-EV	P	SPST	On-Off	Illum. Red/Neon	1.39	1.25	1.13	1.03
103-R13-112B2-02R-EV	P	SPST	On-Off	Illum. Red Dot/Neon	1.49	1.42	1.35	1.21
103-R13-112C-02-EV	P	SPDT	On-On	Black	1.33	1.21	1.10	1.00
103-R13-112D-02-EV	P	SPDT	On-Off-On	Black	1.21	1.10	1.00	.91
103-R13-244C-02-EV	Q	DPDT	On-On	Black	1.88	1.81	1.74	1.65
103-R13-244D-02-EVX	Q	DPDT	On-Off-On	Black	1.88	1.81	1.74	1.65
Rating: 16A/125VAC, 10A/250VAC Terminal Type: .250" QC								
103-7047-EV	R	SPST	On-Off	Illum. Red/Neon	1.73	1.57	1.43	1.30
103-7048-EV	R	SPST	On-Off	Illum. Green/Neon	1.73	1.57	1.43	1.30
103-7076-EV	S	SPST	On-Off	Illum. Yellow/Red Indicator	4.99	3.84	3.49	3.17
103-7079-EV	T	DPST	On-Off	Illum. Red/Neon	1.94	1.77	1.61	1.46
103-7080-EV	T	DPST	On-Off	Illum. Green/Neon	2.54	2.12	1.93	1.75
103-7081-EV	R	SPST	On-Off	Black	1.39	1.25	1.13	1.03
103-7082-EV	R	SPST	On-Off	Illum. Red/Neon	2.21	2.01	1.83	1.66
103-7084-EV	R	SPST	On-Off	Illum. Green/Neon	2.21	2.01	1.83	1.66
103-R13-205A3-01-EV	U	SPST	On-Off	Black	1.14	1.02	.92	.83
103-R13-205B-01R-EV	U	SPST	On-Off	Illum. Red/Neon	1.49	1.42	1.35	1.21
103-R13-240A-01-EV	V	DPST	On-Off	Black	1.89	1.72	1.56	1.42
103-R13-240B-01R-EV	V	DPST	On-Off	Illum. Red/Neon	2.21	2.01	1.83	1.66
103-R13-240C-01-EV	V	DPDT	On-On	Black	2.24	2.04	1.90	1.80
103-R13-70A-EV	W	SPST	On-Off	Black marked I-O	2.01	1.67	1.53	1.38
103-R13-91A-EV	X	SPST	On-Off	Black marked I-O	1.51	1.25	1.14	1.04

DIMENSIONS: in.



Mountain Switch
Rocker Switches