

# E-SWITCH Rocker Switches



## E-SWITCH R1966 SERIES ROCKER SWITCHES

### Specifications:

- Contact resistance: <10mΩ
- Rating: 15A @ 125V
- Dielectric strength: >1500V for one minute, >3000V between poles
- Electric life: 10,000 cycle

- Mechanical life: 15,000 cycles
- Insulation resistance: >1,000 MΩ
- Contact form: SPST

### Features:

- Black semi-gloss finish
- Contact material: coin silver, silver plated
- Terminal material: silver plated copper alloy



For quantities greater than listed, call for quote.

MOUSER STOCK NO.	E-Switch Part No.	Fig.	Circuit	Housing	Actuator	Price Each			
						1	10	50	100
<b>Faston Terminal</b>									
612-R1966ABKBKEF	R1966ABLKBLKEF	A	On-Off	Black	Black	1.36	1.23	1.04	.82
612-R1966FBKBKEF	R1966FBLKBLKEF	A	(On)-Off	Black	Black	1.95	1.74	1.49	1.17
612-R1966ABLKBLKIF	R1966ABLKBLKIF	B	On-Off	Black	Black	1.18	1.07	.91	.71
612-R1966ABKBKFF	R1966ABLKBLKFF	C	On-Off	Black	Black	1.18	1.07	.91	.71
612-R1966AGYGYFF	R1966AGRYGYFF	C	On-Off	Gray	Gray	1.18	1.07	.91	.71
612-R1966AWTWTFF	R1966AWHTWHTFF	C	On-Off	White	White	2.49	2.24	1.83	1.49
612-R1966ABKBKGF	R1966ABLKBLKGF	D	On-Off	Black	Black	1.18	1.07	.91	.71
612-R1966AGYGYGF	R1966AGRYGYGF	D	On-Off	Gray	Gray	1.18	1.07	.91	.71
* 612-R1966DBKBKCF	R1966DBLKBKCF	E	On-Off-On	Black	Black	1.97	1.78	1.51	1.18
<b>Solder Terminal</b>									
612-R1966ABLKBKLES	R1966ABLKBKLES	A	On-Off	Black	Black	1.18	1.07	.91	.71
612-R1966ABKBKIS	R1966ABLKBKIS	B	On-Off	Black	Black	1.18	1.07	.91	.71
612-R1966ABKBKFS	R1966ABLKBKFS	C	On-Off	Black	Black	1.18	1.07	.91	.71
612-R1966ABKBKGS	R1966ABLKBKGS	D	On-Off	Black	Black	1.36	1.24	1.05	.827
<b>R/A PCB Terminal</b>									
612-R1966ABKBKFR	R1966ABLKBKFR	F	On-Off	Black	Black	1.78	1.59	1.35	1.07
612-R1966ABKBKGR	R1966ABLKBKGR	G	On-Off	Black	Black	1.31	1.18	1.01	.79

\* Contact form: SPDT

## E-SWITCH R1966 SERIES ILLUMINATED ROCKER SWITCHES

### Specifications:

- Contact resistance: <10mΩ
- Rating: 15A @ 125V
- Dielectric strength: >1500V for one minute, >3000V between poles

- Electric life: 10,000 cycles
- Mechanical life: 15,000 cycles
- Insulation resistance: >100MΩ
- Contact form: SPST

### Features:

- Contact material: coin silver, silver plated
- Terminal material: Silver plated copper alloy



RoHS Compliant

For quantities greater than listed, call for quote.

MOUSER STOCK NO.	E-Switch Part No.	Fig.	Circuit	LED Color	Terminal	Price Each			
						1	10	50	100
612-R1966ABKBKEFR	R1966ABLKBLKEFR	H	On-Off	Red	Faston	2.24	2.02	1.72	1.34
612-R1966ABKBKEFG	R1966ABLKBLKEFRN	H	On-Off	Green	Faston	3.24	2.92	2.48	1.94
612-R1966ABKBKEFY	R1966ABLKBLKEFYEL	H	On-Off	Yellow	Faston	2.24	2.02	1.72	1.34
612-R1966ABKBKESR	R1966ABLKBKESR	H	On-Off	Red	Solder	3.10	2.86	2.23	2.11
612-R1966ABKBKESG	R1966ABLKBKESGRN	H	On-Off	Green	Solder	3.24	2.92	2.48	1.94
612-R1966ABKBKESY	R1966ABLKBKESYEL	H	On-Off	Yellow	Solder	2.57	2.32	1.97	1.54
612-R1966ABKBKER	R1966ABLKBKERRED	H	On-Off	Red	R/A PCB	3.00	2.69	2.30	1.79

## E-SWITCH R5 SERIES ROCKER SWITCHES

### Specifications:

- Contact resistance: 20 mΩ initially
- Dielectric strength: >1500V for one minute, >3000V between poles

- Contact rating: 10A @ 250VAC, 15A @ 125VAC
- Mechanical life: >30,000 cycles
- Electrical life: >10,000 cycles
- Faston termination

### Features:

- Black housing
- Contact material: Coin silver, silver plated



For quantities greater than listed, call for quote.

MOUSER STOCK NO.	E-Switch Part No.	Fig.	Type	Circuit	Actuator	Price Each			
						1	10	50	100
612-R5ABLKBKLEF0	R5ABLKBKLEF0	I	DPST	On-Off	Black	2.02	1.81	1.54	1.20
612-R5CBLKBKLEF0	R5CBLKBKLEF0	I	DPDT	On-On	Black	3.87	3.52	3.23	2.97
612-R5DBLKBKLEF0	R5DBLKBKLEF0	I	DPDT	On-Off-On	Black	2.86	2.57	2.20	1.71
612-R5ABLKBKFF0	R5ABLKBKFF0	J	DPST	On-Off	Black	3.09	2.82	2.58	2.21
612-R5DBLKBKCF0	R5DBLKBKCF0	K	DPDT	On-Off-On	Black	2.86	2.58	2.20	1.71
612-R5DBLKBKHF0	R5DBLKBKHF0	L	DPDT	On-Off-On	Black	2.86	2.58	2.20	1.71

### Illuminated Switches

For quantities greater than listed, call for quote.

MOUSER STOCK NO.	E-Switch Part No.	Fig.	Type	Circuit	Actuator	Price Each			
						1	10	50	100
<b>Neon Bulb Lamp Type with 125VAC</b>									
612-R5BBLKREDEF1	R5BBLKREDEF1	I	DPST	On-Off	Red	3.62	3.26	2.78	2.17
612-R5BBLKGRNEF1	R5BBLKGRNEF1	I	DPST	On-Off	Green	2.86	2.58	2.20	1.71
612-R5BBLKREDF1	R5BBLKREDF1	J	DPST	On-Off	Red	2.86	2.58	2.20	1.71
612-R5BBLKGRNF1	R5BBLKGRNF1	J	DPST	On-Off	Green	3.15	2.84	2.42	1.89
<b>Neon Bulb Lamp Type with 250VAC</b>									
612-R5BBLKREDF2	R5BBLKREDF2	J	DPST	On-Off	Red	3.62	3.26	2.78	2.17
612-R5BBLKGRNF2	R5BBLKGRNF2	J	DPST	On-Off	Green	3.62	3.26	2.78	2.17
<b>Incandescent Bulb Lamp Type with 12VDC</b>									
612-R5BBLKREDF3	R5BBLKREDF3	J	DPST	On-Off	Red	2.86	2.58	2.20	1.71
612-R5BBLKGRNF3	R5BBLKGRNF3	J	DPST	On-Off	Green	2.86	2.58	2.20	1.71

## E-SWITCH RR SERIES ROCKER SWITCHES

### Specifications:

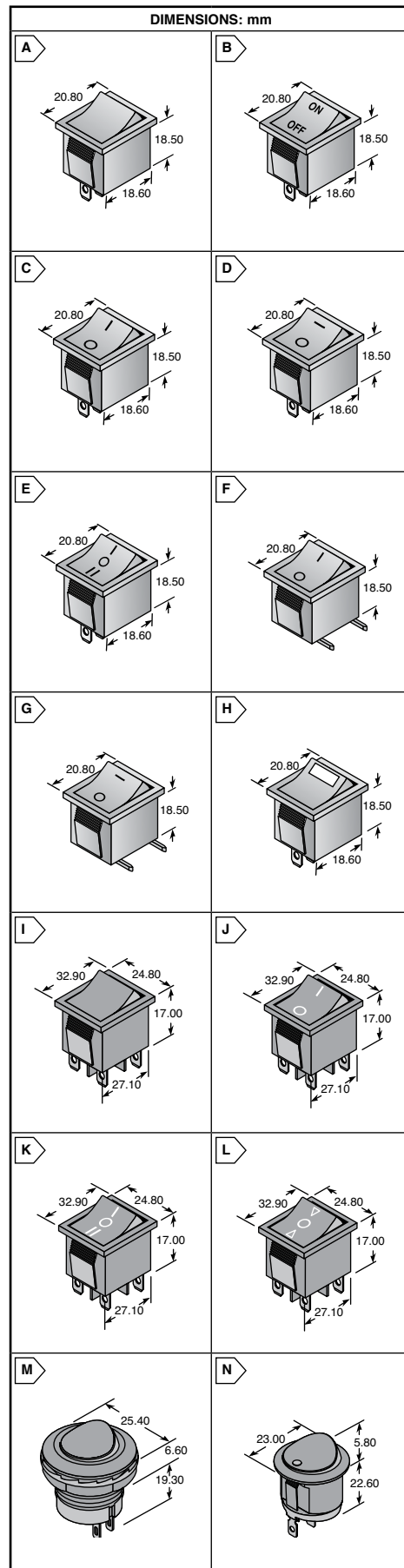
- Contact rating: 10A @ 125V, 6A 250VAC
- Contact resistance: 50m Ω max.

For quantities greater than listed, call for quote.

MOUSER STOCK NO.	E-Switch Part No.	Fig.	Type	Circuit	Termin.	Price Each			
						1	10	50	100
612-RR3130A	RR3130ANOMARKING	M	SPST	On-Off	Solder	2.79	2.51	2.14	1.68
612-RR3130B	RR3130BNO MARKING	M	DPDT	On-On	Solder	4.19	3.77	3.21	2.51
* 612-RR3112ABLKBKNAF	RR3112ABLKBKNAF0	N	SPST	On-Off	Faston	1.29	1.16	.99	.78

\* Dot marking

© Copyright 2012 Mouser Electronics



E-Switch Rocker Switches