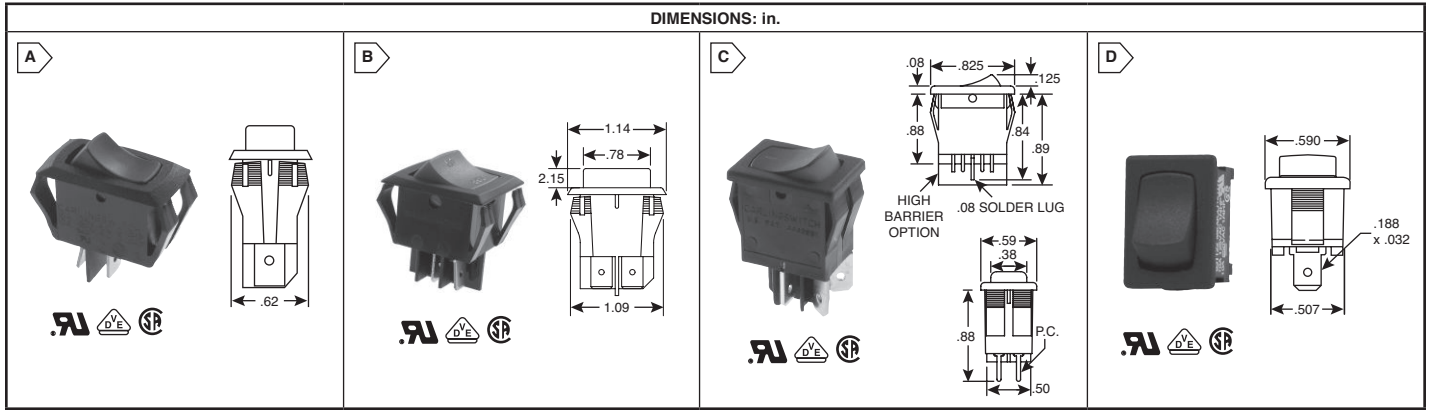


CARLING TECHNOLOGIES Rocker Switches



DIMENSIONS: in.



CARLING LRA AND LRG SERIES: SINGLE, DOUBLE AND PADDLE ROCKER SWITCHES

* 125V Neon Lamp
** 250V Neon Lamp

For quantities greater than listed, call for quote.

MOUSER STOCK NO.	Carling Technologies Part No.	Fig.	Contact Form	Circuit	Actuator Markings	Termination	Actuator/ Bezel Color	Price Each			
								1	25	50	100
* 691-LRA911RSB/125N	LRA911-RS-B/125N	A	SPST	OFF-NONE-ON	None	.250 QC tab	Clear Red/Black	1.54	1.29	1.23	1.07
* 691-LRA211RSB/125N	LRA211-RS-B/125N	A	SPST	OFF-NONE-ON	None	.250 QC tab	Clear Red/Black	2.02	1.65	1.43	1.33
* 691-LRGSK611RSB0	LRGSK611-RS-B-0/125N	B	DPST	OFF-NONE-ON	None	.250 Tabs	Black	3.18	2.89	2.59	2.39
* 691-LRGSK611SBSBAN	LRGSK611-RS-B-A/125N	B	DPST	OFF-NONE-ON	OFF-ON vertical	.250 Tabs	Black	3.29	2.99	2.74	2.53
* 691-LRGSK611SBSBEN	LRGSK611-RS-B-E/125N	B	DPST	OFF-NONE-ON	I-O vertical	.250 Tabs	Black	3.00	2.52	2.39	2.08
** 691-LRGSK611RSB0250	LRGSK611-R-S-B-0/250N	B	DPST	OFF-NONE-ON	Red	None	Black.250 Tabs	2.92	2.60	2.34	1.95

CARLING R SERIES: CURVETTE SNAP-IN ROCKER SWITCHES

- Contact Form: SPST
- Rating: 10A @ 250VAC/16A @ 125VAC/3/4HP 125-250VAC
- Termination: .250 QC Tab
- Circuit
- Actuator: Matte Finish
- Visi-Rocker Actuator Shows Red to Indicate "ON" Position

For quantities greater than listed, call for quote.

Standard Actuator								Price Each			
MOUSER STOCK NO.	Carling Technologies Part No.	Fig.	Contact Form	Circuit	Actuator Markings	Termination	Actuator Color	1	25	50	100
691-RA901RBB0N	RA901-RB-B-0-N	A	SPST	OFF-NONE-ON	None	.250 QC tab	Black/Black	.92	.80	.78	.69
691-RA901RWB0N	RA901-RW-B-0-N	A	SPST	OFF-NONE-ON	None	.250 QC tab	White/Black	1.72	1.05	.90	.79
691-RA901RBBAN	RA901-RB-B-A-N	A	SPST	OFF-NONE-ON	OFF-ON vertical	.250 QC tab	Black/Black	1.31	1.20	1.07	.969
691-RA901RBBEN	RA901-RB-B-E-N	A	SPST	OFF-NONE-ON	None	.250 tab QC	Black/Black	1.06	.921	.91	.792
691-RA901RBBFN	RA901-RB-B-F-N	A	SPST	OFF-NONE-ON	ON-OFF vertical	.250 QC tab	Black/Black	1.13	1.06	.97	.85
691-RB901-RW-B-0-N	RB901-RW-B-0-N	A	SPST	ON-NONE-ON	None	.250 QC tab	White/Black	1.76	1.47	1.40	1.21
691-RB901-RW-W-0-N	RB901-RW-W-0-N	A	SPST	ON-NONE-ON	None	.250 QC tab	White/White	1.46	1.22	1.17	1.01
Visi-Rocker Actuator								Price Each			
MOUSER STOCK NO.	Carling Technologies Part No.	Fig.	Contact Form	Circuit	Actuator Color	Termination	Actuator Color	1	25	50	100
691-RA901VBB0V	RA901-VB-B-0-V	A	SPST	OFF-NONE-ON	None	.250 QC tab	Black/Black	1.13	1.01	.97	.85
691-RA901VBB2V	RA901-VB-B-2-V	A	SPST	OFF-NONE-ON	OFF-ON horizontal	.250 QC tab	Black/Black	1.13	1.01	.97	.85
691-RA901VBB9V	RA901-VB-B-9-V	A	SPST	OFF-NONE-ON	O-I vertical	.250 QC tab	Black/Black	1.13	1.01	.97	.85
691-RA901VWW1V	RA901-VW-W-1-V	A	SPST	OFF-NONE-ON	OFF-ON vertical	.250 QC tab	White/White	1.24	1.14	.974	.857
691-RB901-VB-B-0-V	RB901-VB-B-0-V	A	SPST	ON-NONE-ON	None	.250 QC tab	Black/Black	1.58	1.33	1.26	1.09
691-RB901-VB-B-1-V	RB901-VB-B-1-V	A	SPST	ON-NONE-ON	OFF-ON Vert	.250 QC tab	Black/Black	1.72	1.57	1.34	1.19
691-RB901-VB-B-2-V	RB901-VB-B-2-V	A	SPST	ON-NONE-ON	OFF-ON horizontal	.250 QC tab	Black/Black	1.72	1.57	1.34	1.19
691-RB901-VB-B-9-V	RB901-VB-B-9-V	A	SPST	ON-NONE-ON	O-I vertical	.250 QC tab	Black/Black	1.46	1.23	1.17	1.01

CARLING 621 SERIES: SINGLE AND DOUBLE POLE ROCKER SWITCHES

- Rating: 4A@250VAC, 8A@125VAC, 6(4)A 250V

For quantities greater than listed, call for quote.

MOUSER STOCK NO.	Carling Technologies Part No.	Fig.	Contact Form	Circuit	Termination	† Actuator Color	Actuator Markings	Price Each			
								1	25	50	100
691-62115919-0-9-V	62115919-0-9-V	C	DPST	ON-NONE-OFF	Solder lug	Visi-RED	I-O vertical	1.47	1.41	1.33	1.15
691-62111421-0-0-N	62111421-0-0-N	C	SPDT	ON-NONE-ON	Solder lug	Black	None	1.63	1.37	1.30	1.12
691-62112421-0-0-N	62112421-0-0-N	C	DPDT	ON-NONE-ON	Solder lug	Black	None	2.07	1.74	1.56	1.39
691-62116919-0-0-N	62116919-0-0-N	C	SPST	ON-NONE-OFF	Solder lug	Black	None	1.40	1.34	1.28	1.22
691-62115929-0-0-V	62115929-0-0-V	C	DPDT	ON-NONE-ON	.0187 QC tabs	Visi-RED	None	2.16	1.81	1.72	1.50
691-62116919-0-9-V	62116919-0-9-V	C	SPST	ON-NONE-OFF	.0187 QC tabs	Visi-RED	I-O vertical	1.38	1.16	1.10	.954

† Visi-Rocker is a black actuator with red molded on indicator.

CARLING 651 SERIES SUB-MINIATURE ROCKER SWITCHES

- Rating: 4A@250VAC, 8A@125VAC, 6(4)A 250V

For quantities greater than listed, call for quote.

MOUSER STOCK NO.	Carling Technologies Part No.	Fig.	Contact Form	Circuit	Terminals	† Actuator Color	Actuator Markings	Price Each			
								1	25	50	100
691-651122-BB-0N	651122-BB-0N	D	SPST	ON-NONE-OFF	.187 QC tabs	Black	No Legend	1.55	1.40	1.40	1.22

† Visi-Rocker is a black actuator with red molded on indicator.

CARLING RG SERIES: SINGLE AND DOUBLE POLE ROCKER SWITCHES

- Rating: 15A @ 250VAC, 20A @ 125VAC, 3/4 HP @ 125-250VAC, 14(6)A @ 250VAC
- Circuit: OFF-NONE-ON
- Terminals: .250 QC Tabs

For quantities greater than listed, call for quote.

MOUSER STOCK NO.	Carling Technologies Part No.	Fig.	Contact Form	Circuit	Actuator Color	Actuator Markings	Termination	Price Each			
								1	25	50	100
691-RGSCC201RBB0	RGSCC201-R-B-B-0	B	DPDT	OFF-NONE-ON	Black	None	.250 Tabs	3.93	3.55	3.22	2.95
691-RGSCC201-R-B-B-E	RGSCC201-R-B-B-E	B	DPDT	OFF-NONE-ON	Black	I-O vertical	.250 Tabs	3.43	2.75	2.50	2.32
691-RGSCA901RB-B-0	RGSCA901-R-B-B-0	B	SPST	OFF-NONE-ON	Black	None	.250 Tabs	2.13	1.88	1.64	1.38
691-RGSCA901RB-B-E	RGSCA901-R-B-B-E	B	SPST	OFF-NONE-ON	Black	I-O vertical	.250 Tabs	1.97	1.65	1.57	1.37
691-RGSCC901RB-B-0	RGSCC901-R-B-B-0	B	DPST	OFF-NONE-ON	Black	None	.250 Tabs	2.64	2.22	2.11	1.83
691-RGSCC901RB-B-E	RGSCC901-R-B-B-E	B	DPST	OFF-NONE-ON	Black	I-O vertical	.250 Tabs	2.55	2.14	2.03	1.77