

NKK Standard Size Med-High Capacity Toggle Switches



S SERIES

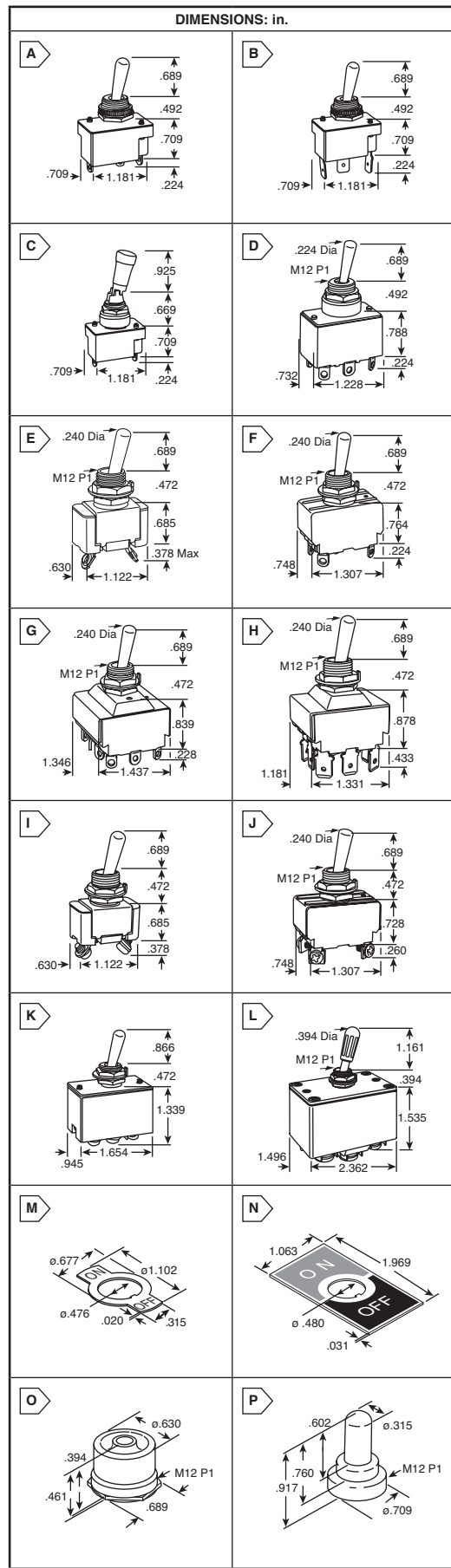
Specifications:

- 15A to 50A Rating
- 1 to 4 poles
- Bushing Mount
- Locking Lever available
- Panel Seal versions meet IP67 Standard



For quantities greater than listed, call for quote.

MOUSER STOCK NO.	NKK Part No.	Fig.	Circuit ()=Momentary	Resistive Load				Inductive AC 125V PF 0.6	Price Each			
				AC 125V	AC 250V	DC 30V			1	25	50	100
Medium Capacity, Solder Lug Termination												
633-S1A	S1A	A	SPST On-None-Off	15A	6A	20A	8A	3.65	3.52	3.40	3.09	
633-S2A	S2A	A	SPDT On-None-On	15A	6A	20A	8A	4.15	4.06	3.84	3.48	
633-S3A-RO	S3A	A	SPDT On-Off-On	15A	6A	20A	8A	3.80	3.45	3.28	3.15	
633-S21A-RO	S21A	A	DPST On-None-Off	15A	15A	15A	8A	5.20	4.85	4.71	4.55	
633-S6A-RO	S6A	A	DPDT On-None-On	20A	10A	20A	8A	5.25	4.97	4.68	4.39	
633-S7A-RO	S7A	A	DPDT On-Off-On	20A	10A	20A	8A	5.83	5.51	5.19	4.87	
Medium Capacity, Quick Connect Termination												
633-S1F	S1F	B	SPST On-None-Off	15A	6A	20A	8A	3.69	3.58	3.48	3.38	
633-S2F-RO	S2F	B	SPDT On-None-On	15A	6A	20A	8A	5.29	5.10	4.95	4.42	
633-S3F-RO	S3F	B	SPDT On-Off-On	15A	6A	20A	8A	5.63	5.45	5.28	5.13	
633-S21F-RO	S21F	B	DPST On-None-Off	15A	15A	15A	8A	4.88	4.04	3.92	3.84	
633-S6F-RO	S6F	B	DPDT On-None-On	20A	10A	20A	8A	7.16	7.01	6.62	6.01	
633-S7F-RO	S7F	B	DPDT On-Off-On	20A	10A	20A	8A	6.79	6.60	6.40	6.21	
Medium Capacity, Solder Lug Termination with Locking Lever & Panel Seal												
633-S1AL-RO	S1AL	C	SPST On-None-Off	15A	6A	20A	8A	12.63	11.58	10.80	10.25	
633-S2AL-RO	S2AL	C	SPDT On-None-On	15A	6A	20A	8A	12.74	11.70	11.35	11.01	
633-S21AL-RO	S21AL	C	DPST On-None-Off	15A	15A	15A	8A	15.52	14.23	13.26	11.94	
633-S6AL-RO	S6AL	C	DPDT On-None-On	20A	10A	20A	8A	14.78	13.95	13.01	12.85	
633-S7AL-RO	S7AL	C	DPDT On-Off-On	20A	10A	20A	8A	14.49	14.05	13.10	12.80	
Medium Capacity, Solder Lug Termination with Panel Seal												
633-S1AW	S1AW	D	SPST On-None-Off	15A	6A	20A	-	9.06	8.31	7.75	7.12	
633-S5AW-RO	S5AW	D	SPDT On-None-(On)	15A	6A	20A	-	8.84	8.24	7.61	7.39	
633-S8AW-RO	S8AW	D	SPDT (On)-Off-(On)	15A	6A	20A	-	9.87	9.58	9.30	9.02	
633-S21AW-RO	S21AW	D	DPST On-None-Off	15A	15A	15A	-	12.56	10.42	10.11	9.81	
633-S6AW-RO	S6AW	D	DPDT On-None-On	20A	10A	20A	-	12.76	12.37	11.52	11.27	
633-S25AW-RO	S25AW	D	DPDT On-None-(On)	15A	6A	20A	-	14.65	12.44	12.07	11.71	
633-S28AW-RO	S28AW	D	DPDT (On)-Off-(On)	15A	6A	20A	-	13.39	12.29	11.93	11.57	
Medium/High Capacity, Solder Lug Termination												
633-S305-RO	S305	E	SPDT On-None-(On)	15A	6A	20A	8A	5.14	4.79	4.65	4.49	
633-S308-RO	S308	E	SPDT (On)-Off-(On)	15A	6A	20A	8A	5.16	4.83	4.68	4.52	
633-S309-RO	S309	E	SPDT On-Off-(On)	15A	6A	20A	8A	5.43	5.31	5.02	4.56	
633-S335-RO	S335	F	DPDT On-None-(On)	15A	6A	20A	8A	8.08	7.54	7.30	7.09	
633-S338-RO	S338	F	DPDT (On)-Off-(On)	15A	6A	20A	8A	8.79	8.24	7.96	7.71	
633-S31-RO	S31	G	3PST On-None-Off	25A	9A	20A	10A	10.51	9.52	8.66	8.28	
633-S32-RO	S32	G	3PDT On-None-On	25A	9A	20A	10A	9.54	9.27	8.99	8.72	
633-S33-RO	S33	G	3PDT On-Off-On	25A	9A	20A	10A	12.01	11.23	10.89	10.53	
633-S41-RO	S41	G	4PST On-None-Off	25A	9A	20A	10A	12.42	11.50	10.56	10.08	
633-S42-RO	S42	G	4PDT On-None-On	25A	9A	20A	10A	13.30	9.64	8.88	8.57	
633-S43-RO	S43	G	4PDT On-Off-On	25A	9A	20A	10A	12.54	12.27	11.59	10.51	
Medium/High Capacity, Quick Connect Termination												
633-S31F-RO	S31F	H	3PST On-None-Off	25A	9A	20A	10A	10.01	9.72	9.44	9.15	
633-S32F-RO	S32F	H	3PDT On-None-On	25A	9A	20A	10A	10.26	9.96	9.67	9.33	
633-S33F-RO	S33F	H	3PDT On-Off-On	25A	9A	20A	10A	10.57	10.36	10.02	9.71	
633-S41F-RO	S41F	H	4PST On-None-Off	25A	9A	20A	10A	11.60	11.27	10.94	10.61	
633-S42F-RO	S42F	H	4PDT On-None-On	25A	9A	20A	10A	13.77	13.37	12.98	12.58	
633-S43F-RO	S43F	H	4PDT On-Off-On	25A	9A	20A	10A	12.76	12.39	12.03	11.66	
Medium/High Capacity, Screw Lug Termination												
633-S301T	S301T	I	SPST On-None-Off	15A	6A	20A	10A	5.22	4.90	4.75	4.57	
633-S302T-RO	S302T	I	SPDT On-None-On	15A	6A	20A	10A	4.93	4.77	4.62	4.49	
633-S303T-RO	S303T	I	SPDT On-Off-On	15A	6A	20A	10A	6.24	6.06	5.88	5.70	
633-S305T-RO	S305T	I	SPDT On-None-(On)	15A	6A	20A	8A	6.33	5.95	5.78	5.60	
633-S308T-RO	S308T	I	SPDT (On)-Off-(On)	15A	6A	20A	8A	5.30	4.55	4.21	4.04	
633-S309T-RO	S309T	I	SPDT On-Off-(On)	15A	6A	20A	8A	7.18	6.62	6.04	5.36	
633-S331T	S331T	J	DPST On-None-Off	15A	15A	15A	10A	9.84	8.56	7.51	6.84	
633-S332T-RO	S332T	J	DPDT On-None-On	15A	15A	15A	10A	7.67	7.42	7.19	6.98	
633-S333T-RO	S333T	J	DPDT On-Off-On	15A	15A	15A	10A	8.56	8.29	8.02	7.78	
633-S335T-RO	S335T	J	DPDT On-None-(On)	15A	6A	20A	8A	10.63	10.32	10.02	9.72	
633-S338T-RO	S338T	J	DPDT (On)-Off-(On)	15A	6A	20A	8A	11.14	10.83	10.51	10.20	
High Capacity, Screw Lug Termination												
633-S821-RO	S821	K	DPST On-None-Off	30A	30A	30A	30A	22.12	21.29	20.64	20.10	
633-S822-RO	S822	K	DPDT On-None-On	30A	30A	30A	30A	22.08	21.38	20.75	20.24	
633-S823-RO	S823	K	DPDT On-Off-On	30A	30A	30A	30A	22.32	21.63	20.97	20.46	
633-S831-RO	S831	K	3PST On-None-Off	30A	30A	30A	30A	34.21	33.23	32.25	31.27	
633-S832-RO	S832	K	3PDT On-None-On	30A	30A	30A	30A	40.71	40.07	38.89	37.70	
633-S833-RO	S833	K	3PDT On-Off-On	30A	30A	30A	30A	39.32	38.20	37.08	35.95	
633-S732	S732	L	DPDT On-None-On	50A	30A	50A	25A	51.22	49.62	48.12	46.94	



NKK Toggle Switches

Accessories for S Series



MOUSER STOCK NO.	NKK Part No.	Fig.	Circuit ()=Momentary	Price Each			
				1	25	50	100
633-AT201	AT201	M	On-Off Plate	.53	.48	.44	.41
633-AT202	AT202	N	On-Off Plate Red/Black	1.63	1.52	1.48	1.35
633-AT214	AT214	M	On-Off Plate Red/Black	1.64	1.52	1.49	1.36
633-AT401	AT401A	O	Splashproof Half-Boot, Black	2.36	2.25	2.15	1.97
633-AT402	AT402A	P	Splashproof Full-Boot, Black	3.01	2.44	2.30	2.18