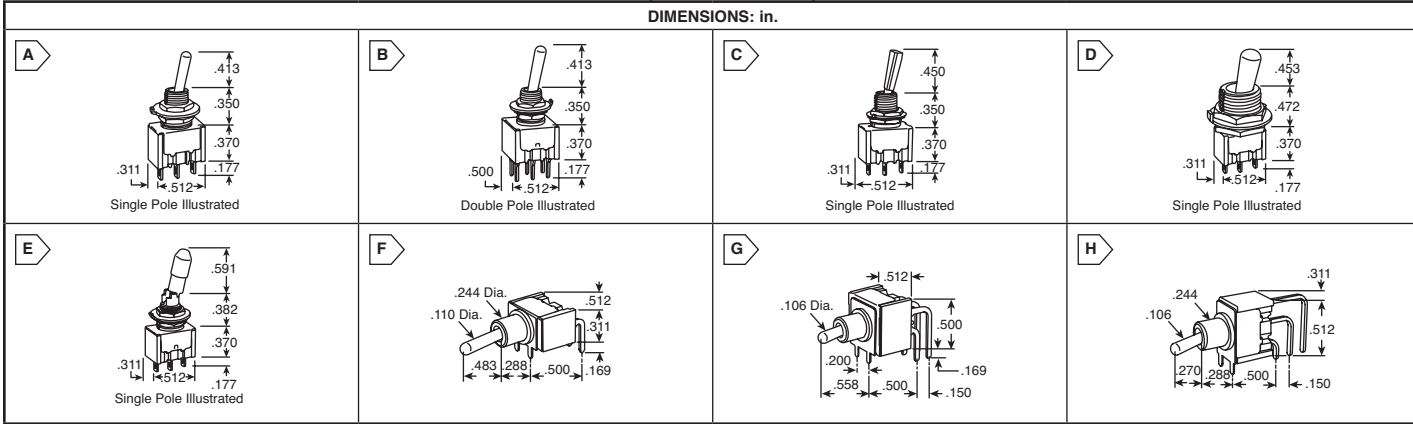


NKK Toggle and Tilt Switches

RoHS Compliant This product is RoHS compliant.



NKK M SERIES: MINI SWITCHES WITH SMALL TOGGLES

Power Rating:

- 6A @ 125VAC and 3A @ 250VAC/30DC
- 4A @ 30VDC for On-None-On & On-None-Off



For quantities greater than listed, call for quote.

MOUSER STOCK NO.	NKK Part No.	Fig.	Circuit () Momentary	Term.	Price Each		
					1	25	50
Actuator: .413" Bat. .350" Threaded with Keyway							
633-M201101	M2011SS1W01	A	SPST On-None-Off	Solder	2.57	2.51	2.37
633-M201201	M2012SS1W01	A	SPDT On-None-On	Solder	2.75	2.65	2.53
633-M201301	M2013SS1W01	A	SPDT On-Off-On	Solder	3.20	3.13	2.96
633-M201501-RO	M2015SS1W01	A	SPDT On-None-(On)	Solder	6.25	5.38	5.14
633-M201801-RO	M2018SS1W01	A	SPDT (On)-Off-(On)	Solder	4.70	3.46	3.33
633-M201901-RO	M2019SS1W01	A	SPDT On-Off-(On)	Solder	4.70	4.04	3.48
633-M202401-RO	M2024SS1W01	A	SP3T On-On-On	Solder	7.90	5.37	5.02
633-M202601-RO	M2026SS1W01	A	SP3T (On)-On-(On)	Solder	7.90	6.79	5.85
633-M202701-RO	M2027SS1W01	A	SP3T On-On-(On)	Solder	6.95	5.64	5.50
633-M202201	M2022SS1W01	A	DPDT On-None-On	Solder	8.30	7.67	7.19
633-M202301	M2023SS1W01	A	DPDT On-Off-On	Solder	4.76	4.66	4.40
633-M202501-RO	M2025SS1W01	A	DPDT On-None-(On)	Solder	7.00	4.99	4.91
633-M202801-RO	M2028SS1W01	A	DPDT (On)-Off-(On)	Solder	6.90	5.20	4.88
633-M202901-RO	M2029SS1W01	A	DPDT On-Off-(On)	Solder	7.65	5.50	5.31
633-M204401-RO	M2044SS1W01	A	DP3T On-On-On	Solder	16.19	12.21	11.94
633-M204601-RO	M2046SS1W01	A	DP3T (On)-On-(On)	Solder	15.21	11.77	11.42
633-M204701-RO	M2047SS1W01	A	DP3T On-On-(On)	Solder	15.14	11.77	11.42
633-M203201-RO	M2032SS1W01	A	3PDT On-None-On	Solder	8.83	7.10	6.30
633-M204201-RO	M2042SS1W01	A	4PDT On-None-On	Solder	11.22	10.12	9.38
633-M201203	M2012SS1W03	B	SPDT On-None-On	PC	2.86	2.80	2.65
633-M201303	M2013SS1W03	A	SPDT On-Off-On	PC	3.31	3.24	3.06
633-M201503	M2015SS1W03	B	SPDT On-None-(On)	PC	3.72	3.64	3.44
633-M201803-RO	M2018SS1W03	B	SPDT (On)-Off-(On)	PC	5.30	3.52	3.33
633-M201903-RO	M2019SS1W03	B	SPDT On-Off-(On)	PC	4.82	3.52	3.33
633-M202403	M2024SS1W03	B	SP3T On-On-On	PC	6.04	5.54	5.17
633-M202203	M2022SS1W03	B	DPDT On-None-On	PC	5.04	4.74	4.08
633-M202303-RO	M2023SS1W03	B	DPDT On-Off-On	PC	5.78	5.21	4.50
633-M203203-RO	M2032SS1W03	B	3PDT On-None-On	PC	8.74	6.33	6.21
633-M204203-RO	M2042SS1W03	B	4PDT On-None-On	PC	11.27	8.57	8.19
Actuator: .450" Flatted, .350" Threaded with Keyway							
633-M201202	M2012ES1W01	C	SPDT On-None-On	Solder	3.53	3.46	3.27
633-M201502-RO	M2015ES1W01	C	SPDT On-None-(On)	Solder	6.46	6.25	6.04
633-M201802	M2018ES1W01	C	SPDT (On)-Off-(On)	Solder	4.46	4.37	4.13
633-M201902-RO	M2019ES1W01	C	SPDT On-Off-(On)	Solder	5.70	4.15	3.92
633-M202402-RO	M2024ES1W01	C	SP3T On-On-On	Solder	8.16	5.78	5.60
633-M202202-RO	M2022ES1W01	C	DPDT On-None-On	Solder	4.57	4.42	4.27
633-M202302-RO	M2023ES1W01	C	DPDT On-Off-On	Solder	7.10	5.06	4.80
633-M202502-RO	M2025ES1W01	C	DPDT On-None-(On)	Solder	7.56	5.71	5.54
633-M202802-RO	M2028ES1W01	C	DPDT (On)-Off-(On)	Solder	7.97	5.91	5.73

NKK M SERIES: MINI SWITCHES WITH LARGE TOGGLES

Power Rating:

- 6A @ 125VAC and 3A @ 250VAC/30DC
- 4A @ 30VDC for On-None-On & On-None-Off



For quantities greater than listed, call for quote.

MOUSER STOCK NO.	NKK Part No.	Fig.	Circuit () Momentary	Term.	Price Each		
					1	25	50
Actuator: .453" Bat. .472" Threaded with Keyway							
633-M201104	M2011BB1W01	D	SPST On-None-Off	Solder	4.28	4.19	3.96
633-M201204	M2012BB1W01	D	SPDT On-None-On	Solder	4.46	4.37	4.13
633-M201504-RO	M2015BB1W01	D	SPDT On-None-(On)	Solder	7.06	4.86	4.43
633-M201804	M2018BB1W01	D	SPDT (On)-Off-(On)	Solder	5.39	5.28	4.99
633-M202404-RO	M2024BB1W01	D	SP3T On-On-On	Solder	9.31	6.65	6.20
633-M202204-RO	M2022BB1W01	D	DPDT On-None-On	Solder	7.45	7.24	6.64
633-M203504-RO	M2035BB1W01	D	3PDT On-None-(On)	Solder	11.55	11.22	10.89
633-M203804-RO	M2038BB1W01	D	3PDT (On)-Off-(On)	Solder	14.52	13.50	11.62
633-M204504-RO	M2045BB1W01	D	4PDT On-None-(On)	Solder	16.06	12.25	11.35
Actuator: .201" diameter Locking Lever, Threaded Keyway for Lever Lock							
633-M201205	M2012LL1W01	E	SPDT On-None-On	Solder	6.03	5.19	4.46
633-M201305-RO	M2013LL1W01	E	SPDT On-Off-On	Solder	6.48	4.76	4.62
633-M201505-RO	M2015LL1W01	E	SPDT On-None-(On)	Solder	7.13	5.13	4.97
633-M201905-RO	M2019LL1W01	E	SPDT On-Off-(On)	Solder	6.33	5.20	4.93
633-M202205	M2022LL1W01	E	DPDT On-None-On	Solder	6.10	5.97	5.64
633-M204205	M2042LL1W01	E	4PDT On-None-On	Solder	11.42	10.74	9.91

NKK M SERIES: MINI PC MOUNT TOGGLE SWITCHES

Contact Rating:

- Silver: 6A @ 125V AC and 3A @ 250V AC
- Gold: 0.4VA max. @ 28V AC/DC max.



For quantities greater than listed, call for quote.

MOUSER STOCK NO.	NKK Part No.	Fig.	Circuit () Momentary	Term.	Price Each	
					1	25
Right Angle PC						
633-M2013SA2G30-RO	M2013SA2G30	F	SPDT On-Off-On	Gold	5.30	3.84
633-M2022SA2W30-RO	M2022SA2W30	G	DPDT On-None-On	Silver	6.50	4.49
Vertical PC						
633-M2012SA2G40-RO	M2012SA2G40	H	SPDT On-None-On	Gold	5.16	3.46
633-M2012SA2W40	M2012SA2W40	H	SPDT On-None-On	Silver	4.86	4.64

NKK DS SERIES - CONTACTLESS TILT SWITCH

Specifications:

- Operating Angle: ±30° to ±60°
- Return Angle: 10° min.

Features:

- Photo interrupter ensures high reliability
- Sealed Construction
- UL94V-0



For quantities greater than listed, call for quote.

MOUSER STOCK NO.	NKK Part No.	Fig.	Description	Price Each		
				1	25	50
633-DS-BA1P	DSBA1P	A	On-Off Status, NC, Straight PC	5.89	5.36	4.90
633-DS-BA1H	DSBA1H	B	On-Off Status, NC, Right Angle PC	6.50	5.83	5.56

NKK DSA SERIES - HIGH CONTACT TILT SWITCH

Specifications:

- Contact Resistance: 100 milliohms maximum
- Contact Bounce (for reference) 500ms maximum

Features:

- Environmentally friendly, contains non mercury
- PCB adaptor available as an accessory
- Housing : PBT



For quantities greater than listed, call for quote.

MOUSER STOCK NO.	NKK Part No.	Fig.	Description	Price Each		
				1	25	50
633-DSA01	DSA01	C	Single Pole Single Throw ON-OFF	7.39	6.95	6.15
633-AT094	AT094	D	PC Mount Battery Holder	2.04	1.85	1.69

