

MOUNTAIN SWITCH Toggle Switches

RoHS Compliant This product is RoHS compliant.



MINIATURE TOGGLE SWITCHES - PANEL MOUNT

Specifications:

- Contact Rating: 5A/120VAC or 28VDC; 2A/250VAC
- Contact Resistance: 10mΩ max. initial @ 2-4VDC 100mA

- Insulation Resistance: 1,000MΩ min.
- Dielectric Strength: 1000VRMS @ sea level
- Operation Temperature: -30°C to +85°C

For quantities greater than listed, call for quote.

MOUSER STOCK NO.	Fig.	Width (W) (in.)	Type	Circuit	Price Each			
					1	50	100	500
0.41" Toggle, 0.35" Threaded Bushing, Solder Terminals								
108-1MS1T1B1M1QE-EVX	A	0.27	SPDT	On-On	2.09	1.46	1.36	1.32
108-1MS2T1B1M1QE-EVX	A	0.27	SPDT	On-(On)	2.05	1.43	1.33	1.29
108-1MS3T1B1M1QE-EVX	A	0.27	SPDT	On-Off-On	2.14	1.50	1.39	1.35
108-1MD1T1B1M1QE-EVX	A	0.45	DPDT	On-On	2.55	1.79	1.66	1.60
108-1MD2T1B1M1QE-EVX	A	0.45	DPDT	On-(On)	2.69	1.88	1.75	1.69
108-1MD3T1B1M1QE-EVX	A	0.45	DPDT	On-Off-On	2.98	2.08	1.94	1.87
108-1M31T1B1M1QE-EVX	A	0.65	3PDT	On-On	4.32	3.02	2.81	2.39
108-1M41T1B1M1QE-EVX	A	0.85	4PDT	On-On	6.74	4.72	4.38	3.66
0.41" Toggle, 0.35" Threaded Bushing, PC Mount Terminals								
108-1MS1T1B1M2QE-EVX	B	0.27	SPDT	On-On	2.09	1.46	1.36	1.32
108-1MS2T1B1M2QE-EVX	B	0.27	SPDT	On-(On)	2.05	1.43	1.33	1.29
108-1MS3T1B1M2QE-EVX	B	0.27	SPDT	On-Off-On	2.35	1.65	1.52	1.48
108-1MD1T1B1M2QE-EVX	B	0.45	DPDT	On-On	2.55	1.79	1.66	1.60
108-1MD2T1B1M2QE-EVX	B	0.45	DPDT	On-(On)	2.69	1.88	1.75	1.69
108-1MD3T1B1M2QE-EVX	B	0.45	DPDT	On-Off-On	3.28	2.29	2.13	2.05
108-1M31T1B1M2QE-EVX	B	0.65	3PDT	On-On	4.32	3.02	2.81	2.39
108-1M41T1B1M2QE-EVX	B	0.85	4PDT	On-On	6.74	4.72	4.38	3.66
0.27" Toggle, 0.28" Threaded Bushing, Solder Terminals								
108-1MS1T2B3M1QE-EVX	C	0.27	SPDT	On-On	1.90	1.33	1.24	1.20
108-1MS2T2B3M1QE-EVX	C	0.27	SPDT	On-(On)	2.05	1.43	1.33	1.29
108-1MS3T2B3M1QE-EVX	C	0.27	SPDT	On-Off-On	2.14	1.50	1.39	1.35
108-1MD1T2B3M1QE-EVX	C	0.45	DPDT	On-On	2.55	1.79	1.66	1.60
108-1MD2T2B3M1QE-EVX	C	0.45	DPDT	On-(On)	2.69	1.88	1.75	1.69
108-1MD3T2B3M1QE-EVX	C	0.45	DPDT	On-Off-On	2.31	2.15	2.08	1.73
0.27" Toggle, 0.28" Threaded Bushing, PC Mount Terminals								
108-1MS1T2B3M2QE-EVX	D	0.27	SPDT	On-On	1.90	1.33	1.24	1.20
108-1MS2T2B3M2QE-EVX	D	0.27	SPDT	On-(On)	2.05	1.43	1.33	1.29
108-1MS3T2B3M2QE-EVX	D	0.27	SPDT	On-Off-On	2.14	1.50	1.39	1.35
108-1MD1T2B3M2QE-EVX	D	0.45	DPDT	On-On	2.83	1.98	1.84	1.77
108-1MD2T2B3M2QE-EVX	D	0.45	DPDT	On-(On)	2.69	1.88	1.75	1.69
108-1MD3T2B3M2QE-EVX	D	0.45	DPDT	On-Off-On	3.31	2.31	2.15	2.08
0.20" Horizontal Toggle, 0.28" Non-Threaded Bushing, Right Angle PC Mount Terminals								
108-1MS1T2B4M6QE-EVX	E	0.27	SPDT	On-On	2.75	1.93	1.79	1.63
108-1MS2T2B4M6QE-EVX	E	0.27	SPDT	On-(On)	2.91	2.03	1.89	1.72
108-1MS3T2B4M6QE-EVX	E	0.27	SPDT	On-Off-On	3.01	2.11	1.96	1.78
108-1MD1T2B4M6QE-EVX	E	0.45	DPDT	On-On	3.44	2.41	2.23	2.04
108-1MD2T2B4M6QE-EVX	E	0.45	DPDT	On-(On)	3.59	2.51	2.33	2.13
108-1MD3T2B4M6QE-EVX	E	0.45	DPDT	On-Off-On	4.30	3.01	2.80	2.54
0.20" Vertical Toggle, 0.28" Non-Threaded Bushing, Right Angle PC Mount Terminals								
108-1MS1T2B4M7QE-EVX	F	0.27	SPDT	On-On	2.96	2.07	1.93	1.75
108-1MS2T2B4M7QE-EVX	F	0.27	SPDT	On-(On)	2.40	2.24	2.03	1.81
108-1MS3T2B4M7QE-EVX	F	0.27	SPDT	On-Off-On	3.22	2.25	2.09	1.90
108-1MD1T2B4M7QE-EVX	F	0.45	DPDT	On-On	3.65	2.55	2.37	2.16
108-1MD3T2B4M7QE-EVX	F	0.45	DPDT	On-Off-On	3.17	2.95	2.69	2.38
0.45" Flat Toggle, 0.297" Threaded Bushing, Solder Terminals								
108-1MS1T6B1M1QE-EVX	G	0.27	SPDT	On-On	2.62	1.83	1.70	1.63
108-1MS2T6B1M1QE-EVX	G	0.27	SPDT	On-(On)	2.76	1.93	1.80	1.72
108-1MS3T6B1M1QE-EVX	G	0.27	SPDT	On-Off-On	2.86	2.00	1.86	1.78
108-1MD1T6B1M1QE-EVX	G	0.45	DPDT	On-On	3.26	2.28	2.12	2.04
108-1MD2T6B1M1QE-EVX	G	0.45	DPDT	On-(On)	3.41	2.39	2.22	2.13
108-1MD3T6B1M1QE-EVX	G	0.45	DPDT	On-Off-On	3.89	2.72	2.53	2.30
108-1MD4T6B1M1QE-EVX	G	0.45	DPDT	(On)-Off-(On)	3.89	2.72	2.53	2.30
0.45" Flat Toggle, 0.297" Threaded Bushing, PC Mount Terminals								
108-1MS1T6B1M2QE-EVX	H	0.27	SPDT	On-On	2.88	2.01	1.87	1.79
108-1MS2T6B1M2QE-EVX	H	0.27	SPDT	On-(On)	2.76	1.93	1.80	1.72
108-1MS3T6B1M2QE-EVX	H	0.27	SPDT	On-Off-On	2.86	2.00	1.86	1.78
108-1MD1T6B1M2QE-EVX	H	0.45	DPDT	On-On	2.51	2.33	2.24	1.88
108-1MD2T6B1M2QE-EVX	H	0.45	DPDT	On-(On)	3.41	2.39	2.22	2.13
108-1MD3T6B1M2QE-EVX	H	0.45	DPDT	On-Off-On	4.07	2.84	2.64	2.54

SUB-MINIATURE TOGGLE SWITCHES - PANEL MOUNT

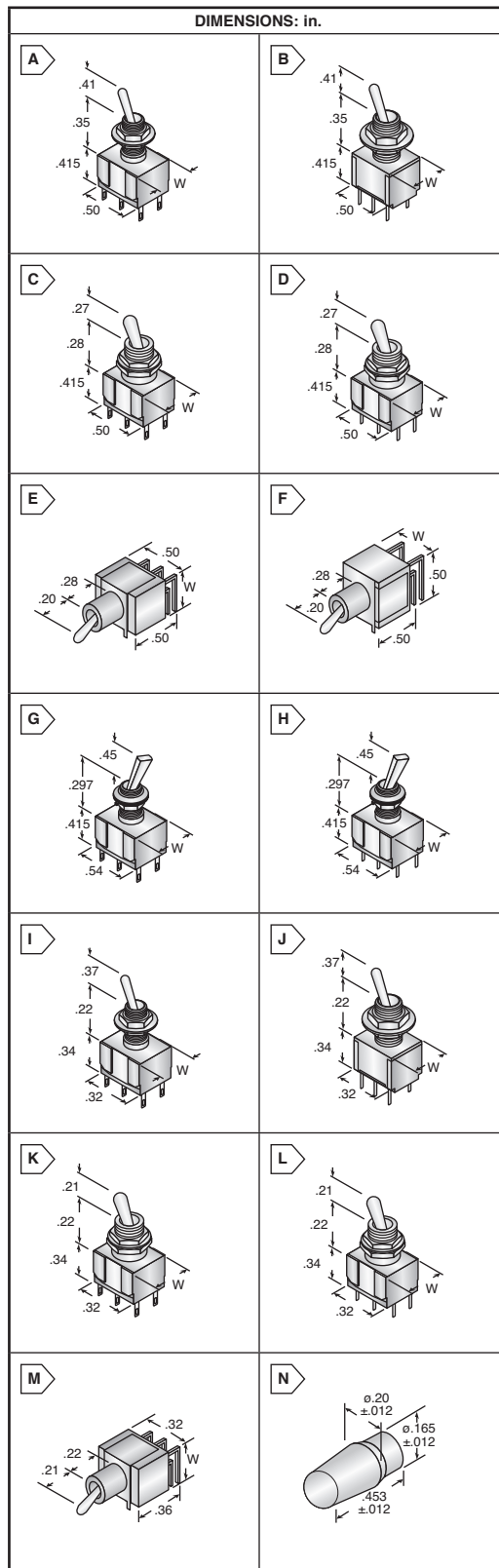
Specifications:

- Contact Rating: 3A/120VAC or 28VDC; 1A/250VAC
- Contact Resistance: 20mΩ max. initial @ 2-4VDC 100mA

- Insulation Resistance: 1,000MΩ min.
- Dielectric Strength: 1000VRMS @ sea level
- Operation Temperature: -30°C to +85°C

For quantities greater than listed, call for quote.

0.37" Toggle, 0.22" Bushing, Solder Terminals								
108-2MS1T1B1M1QE-EVX	I	0.20	SPDT	On-On	2.54	2.10	1.77	1.47
108-2MS3T1B1M1QE-EVX	I	0.20	SPDT	On-Off-On	3.41	2.82	2.38	1.97
108-2MD1T1B1M1QE-EVX	I	0.36	DPDT	On-On	3.57	2.95	2.48	2.06
108-2MD3T1B1M1QE-EVX	I	0.36	DPDT	On-Off-On	4.20	3.46	2.92	2.42
0.37" Toggle, 0.22" Bushing, PC Mount Terminals								
108-2MS1T1B1M2QE-EVX	J	0.20	SPDT	On-On	2.80	2.31	1.95	1.62
108-2MS3T1B1M2QE-EVX	J	0.20	SPDT	On-Off-On	3.41	2.82	2.38	1.97
108-2MD1T1B1M2QE-EVX	J	0.36	DPDT	On-On	3.57	2.95	2.48	2.06
108-2MD3T1B1M2QE-EVX	J	0.36	DPDT	On-Off-On	4.20	3.46	2.92	2.42
0.21" Toggle, 0.22" Bushing, Solder Terminals								
108-2MS1T2B3M1QE-EVX	K	0.20	SPDT	On-On	2.79	2.31	1.94	1.61
108-2MS3T2B3M1QE-EVX	K	0.20	SPDT	On-Off-On	3.41	2.82	2.38	1.97
108-2MD1T2B3M1QE-EVX	K	0.36	DPDT	On-On	3.95	3.27	2.75	2.28
108-2MD3T2B3M1QE-EVX	K	0.36	DPDT	On-Off-On	4.65	3.83	3.23	2.67
0.21" Toggle, 0.22" Bushing, PC Mount Terminals								
108-2MS1T2B3M2QE-EVX	L	0.20	SPDT	On-On	2.54	2.10	1.77	1.47
108-2MS3T2B3M2QE-EVX	L	0.20	SPDT	On-Off-On	3.41	2.82	2.38	1.97
108-2MD1T2B3M2QE-EVX	L	0.36	DPDT	On-On	3.95	3.27	2.75	2.28
108-2MD3T2B3M2QE-EVX	L	0.36	DPDT	On-Off-On	4.20	3.46	2.92	2.42
0.21" Horizontal Toggle, 0.22" Bushing, Right Angle PC Mount Terminals								
108-2MS1T2B2M6QE-EVX	M	0.20	SPDT	On-On	3.41	2.82	2.38	1.97
108-2MS3T2B2M6QE-EVX	M	0.20	SPDT	On-Off-On	4.20	3.46	2.92	2.42
108-2MD1T2B2M6QE-EVX	M	0.36	DPDT	On-On	4.52	3.72	3.14	2.61
108-2MD3T2B2M6QE-EVX	M	0.36	DPDT	On-Off-On	4.64	3.91	3.25	3.08



TOGGLE SWITCH CAPS

MOUSER STOCK NO.	Fig.	Color	Price Each		
			1	50	100
108-00323-EV	N	Red	.17	.15	.13
108-00332-EV	N	Black	.17	.15	.13
108-00341-EV	N	White	.17	.15	.13
108-00357-EV	N	Blue	.17	.15	.13
108-00365-EV	N	Yellow	.17	.15	.13
108-00376-EV	N	Green	.17	.15	.13