

C&K Toggle Switches



C&K 7000 SERIES MINIATURE TOGGLE SWITCHES, PANEL MOUNT

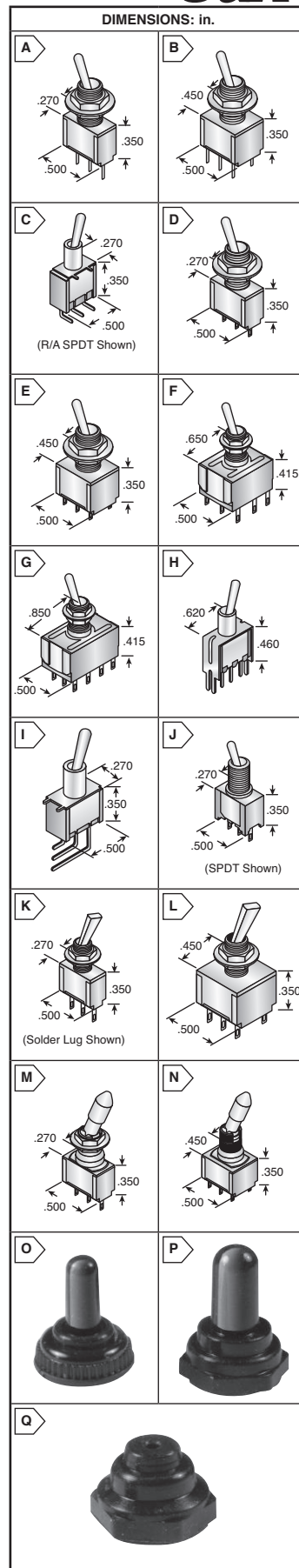
- Contact material:
 - B- Cu alloy, with Au plate over Ni plate, Au plate terminal
 - K- Cu alloy, with Au plate over Ni plate, SnPb plate terminal
 - Q- Cu alloy, with Ag plate, Ag plate terminal
 - G- Coin Ag, with Au plate over Ni plate, Au plate terminal
- Contact rating:
 - B and K- 0.4VA @ 20VAC or DC max.
 - Q- 5A @ 120VAC; 2A @ 250VAC
 - G- 0.4VA @ 20VAC or DC max. or 5A @ 120VAC @ 250VAC



RoHS Compliant

For quantities greater than listed, call for quote.

MOUSER STOCK NO.	C&K Part No.	Fig.	Contact Form	Circuit (-)=Momentary	Termination	Bushing	Contact Material	Price Each		
								1	25	50
Standard Round Actuator (.420" High)										
611-7101-054	7101SYCBE	A	SPDT	On-On	PC thru-hole	.350" high, keyway	B	5.30	4.95	4.50
611-7101-002	7101SYCQE	A	SPDT	On-On	PC thru-hole	.350" high, keyway	Q	5.05	4.66	4.39
611-7103-002	7103SYCQE	A	SPDT	On-Off-On	PC thru-hole	.350" high, keyway	Q	5.65	5.11	4.82
611-7105-002	7105SYCQE	A	SPDT	(On)-Off-(On)	PC thru-hole	.350" high, keyway	Q	5.64	5.13	4.84
611-7107-002	7107SYCQE	A	SPDT	On-Off-(On)	PC thru-hole	.350" high, keyway	Q	9.80	7.60	7.08
611-7201-054	7201SYCBE	B	DPDT	On-On	PC thru-hole	.350" high, keyway	B	7.70	6.88	6.22
611-7201-002	7201SYCQE	B	DPDT	On-On	PC thru-hole	.350" high, keyway	Q	7.38	6.60	5.96
611-7203-001	7203SYZQE	B	DPDT	On-Off-On	Solder lug	.350" high, keyway	Q	7.75	7.25	6.72
611-7101-075	7101SD9CQE	C	SPDT	On-On	PC thru-hole	.280" high, keyway	Q	5.24	5.08	4.39
611-7101-004	7101SD9ABE	C	SPDT	On-On	R/A PC thru-hole	.280" high, keyway	B	7.73	7.11	6.96
611-7101-007	7101SH3ZQE	D	SPDT	On-On	Solder lug	.296" high, flat	Q	6.40	5.61	5.35
611-7101-005	7101SYZBE	D	SPDT	On-On	Solder lug	.350" high, keyway	B	5.10	4.70	4.43
611-7101-006	7101SYZQE	D	SPDT	On-On	Solder lug	.350" high, keyway	G	6.35	5.93	5.59
611-7101-001	7101SYZQE	D	SPDT	On-On	Solder lug	.350" high, keyway	Q	4.90	4.56	4.27
611-7103-005	7103SYZBE	D	SPDT	On-Off-On	Solder lug	.350" high, keyway	B	5.64	5.28	4.88
611-7103-001	7103SYZQE	D	SPDT	On-Off-On	Solder lug	.350" high, keyway	Q	5.50	4.99	4.70
611-7105-001	7105SYZQE	D	SPDT	(On)-Off-(On)	Solder lug	.350" high, keyway	Q	5.63	5.30	4.76
611-7107-001	7107SYZQE	D	SPDT	On-Off-(On)	Solder lug	.350" high, keyway	Q	5.72	4.87	4.65
611-7201-005	7201SYZBE	E	DPDT	On-On	Solder lug	.350" high, keyway	B	7.48	7.25	6.04
611-7201-001	7201SYZQE	E	DPDT	On-On	Solder lug	.350" high, keyway	Q	7.17	6.41	6.01
611-7207-001	7207SYZQE	E	DPDT	On-Off-(On)	Solder lug	.350" high, keyway	Q	7.94	7.60	6.90
611-7211-001	7211SYZQE	E	DPDT	On-On-On	Solder lug	.350" high, keyway	Q	10.29	9.59	9.04
611-7301-001	7301SYZQE	F	3PDT	On-On	Solder lug	.350" high, keyway	Q	14.45	13.47	12.71
611-7303-001	7303SYZQE	F	3PDT	On-Off-On	Solder lug	.350" high, keyway	Q	12.86	12.03	11.51
611-7401-001	7401SYZQE	G	4PDT	On-On	Solder lug	.350" high, keyway	Q	20.03	18.67	17.62
611-7101-076	7101SD9V3BE	H	SPDT	On-On	V bracket	.280" high, keyway	B	7.13	6.83	6.52
Standard Round Actuator (.420" High), Splashproof Bushing										
611-7101-071	7101SCWZQE	D	SPDT	On-On	Solder lug	.294" high, flat	Q	7.21	6.90	6.58
611-7201-071	7201SCWZQE	E	DPDT	On-On	Solder lug	.294" high, flat	Q	7.92	7.56	6.48
Short Round Actuator (.200" High)										
611-7101-063	7101MDCQE	A	SPDT	On-On	PC thru-hole	.280" high, keyway	Q	6.06	5.79	5.54
611-7101-051	7101MD9ABE	C	SPDT	On-On	R/A PC thru-hole	.280" high, keyway	B	7.49	6.99	6.66
611-7101-053	7101MD9AQE	C	SPDT	On-On	R/A PC thru-hole	.280" high, keyway	Q	6.45	5.15	4.69
611-7101-061	7101MD9AV2BE	I	SPDT	On-On Vert.	R/A PC thru-hole	.280" high, keyway	B	5.92	5.35	5.03
611-7103-061	7103MD9AV2BE	I	SPDT	On-Off-On Vert.	R/A PC thru-hole	.280" high, keyway	B	7.69	7.35	7.01
611-7201-051	7201MD9ABE	C	DPDT	On-On	R/A PC thru-hole	.280" high, keyway	B	8.91	8.37	7.36
611-7101-064	7101MDZQE	J	SPDT	On-On	Solder lug	.280" high, keyway	Q	4.97	4.53	4.27
611-7101-065	7101MYZQE	J	SPDT	On-On	Solder lug	.350" high, keyway	Q	5.93	5.68	4.91
611-7201-064	7201MDZQE	J	DPDT	On-On	Solder lug	.280" high, keyway	Q	7.17	6.41	6.01
611-7101-062	7101MD9V3QE	H	SPDT	On-On	V bracket	.280" high, keyway	Q	9.64	7.14	5.19
611-7103-062	7103MD9V3BE	H	SPDT	On-Off-On	V bracket	.280" high, keyway	B	7.75	7.22	6.81
Long Round Actuator (.640" High)										
611-7201-041	7201L1YZQE	E	DPDT	On-On	Solder lug	.350" high, keyway	Q	7.22	6.78	6.01
Flatted, Anti-Rotation Actuator (.450" High)										
611-7101-022	7101P3YCQE	K	SPDT	On-On	PC thru-hole	.350" high, keyway	Q	10.50	8.40	7.00
611-7105-022	7105P3YCQE	K	SPDT	(On)-Off-(On)	PC thru-hole	.350" high, keyway	Q	8.84	8.23	7.77
611-7101-021	7101P3YZQE	K	SPDT	On-On	Solder lug	.350" high, keyway	Q	6.82	6.31	5.92
611-7103-021	7103P3YZQE	K	SPDT	On-Off-On	Solder lug	.350" high, keyway	Q	6.98	6.31	5.93
611-7201-025	7201P3YZBE	L	DPDT	On-On	Solder lug	.350" high, keyway	B	11.55	10.42	9.30
611-7101-021	7201P3YZQE	L	DPDT	On-On	Solder lug	.350" high, keyway	Q	8.50	7.50	7.12
611-7205-021	7205P3YZQE	L	DPDT	(On)-Off-(On)	Solder lug	.350" high, keyway	Q	11.37	10.84	10.38
611-7207-021	7207P3YZQE	L	DPDT	On-Off-(On)	Solder lug	.350" high, keyway	Q	9.22	8.94	7.96
Large Round Actuator (.687" High)										
611-7101-081	7101TZQE	D	SPDT	On-On	Solder lug	.448" high, keyway	Q	7.40	6.54	6.13
611-7101TCWZQE	7101TCWZQE	D	SPDT	On-None-On	Solder lug	Splashproof	Q	8.52	7.53	7.06
611-7201-081	7201TZQE	E	DPDT	On-On	Solder lug	.448" high, keyway	Q	9.15	8.08	7.77
611-7203-081	7203TZQE	E	DPDT	On-Off-On	Solder lug	.448" high, keyway	Q	9.83	9.50	8.49
Locking Actuator (.704" High)										
611-7101-031	7101K2ZQE	M	SPDT	On-On	Solder lug	.260" high, keyway	Q	8.00	7.37	6.66
611-7201-031	7201K2ZQE	N	DPDT	On-On	Solder lug	.260" high, keyway	Q	9.98	8.85	8.32
611-7203-031	7203K2ZQE	N	DPDT	On-Off-On	Solder lug	.260" high, keyway	Q	11.01	10.69	9.09



C&K Toggle Switches

SEALING BOOTS FOR 7000, T, MIL, AND 9000 SERIES TOGGLES

Features/Benefits:

- Minimum IP65 Sealing
- Silicon Construction Remains Pliable in Cold Weather
- High Tear Strength
- Full and Half Boot Options
- Ideal for Sealing an Unsealed Switch

Typical Applications:

- Harsh environments
- Marine
- Industrial
- Medical
- Offroad Transportation
- Military
- Food and Beverage



RoHS Compliant

For quantities greater than listed, call for quote.

MOUSER STOCK NO.	C&K Part No.	Fig.	Description	Price Each			
				1	25	50	100
611-759D02000	759D02000	O	Black full toggle boot for 1/4-40 bushing	2.46	2.18	2.08	1.98
611-703D02000	703D02000	P	Black full toggle boot for 15/32 bushing	2.86	2.56	2.44	2.33
611-704D20000	704D20000	Q	Black half toggle boot for 15/32 bushing	2.56	2.42	2.30	2.12