

# C&K Toggle Switches



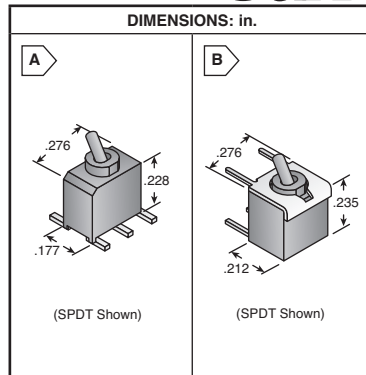
## C&K GT SERIES: SEALED ULTRAMINIATURE TOGGLE SWITCHES

- Contact Material: Gold Terminal Plating
- Internal O-ring seal standard with all actuators
- Epoxy sealed termination
- Lead Free
- Contact Rating: 0.4VA @ 20VAC or DC max.
- Case and actuator material: Glass filled nylon (UL94V-0)
- Body Height: .210"



For quantities greater than listed, call for quote.

MOUSER STOCK NO.	C&K Part No.	Fig.	Contact Form	Circuit	Mounting Type	Actuator/ Bushing Height	Contact Material	Price Each			
								1	25	50	100
611-GT11MSCBE	GT11MSCBE	A	SPDT	On-On	Surface mount	.50"/.063"	Gold	8.58	6.84	5.63	5.41
611-GT11MABE	GT11MABE	B	SPDT	On-On	R/A PC thru-hole	.50"/.063"	Gold	7.26	6.77	6.40	5.95
611-GT12MABE	GT12MABE	B	SPST	Off-On	R/A PC thru-hole	.150"/.063"	Gold	12.63	8.73	8.67	6.91
611-GT12MCBE	GT12MCBE	C	SPDT	Off-None-On	Thru-hole	.150"/.063"	Gold	6.05	5.57	5.23	5.07



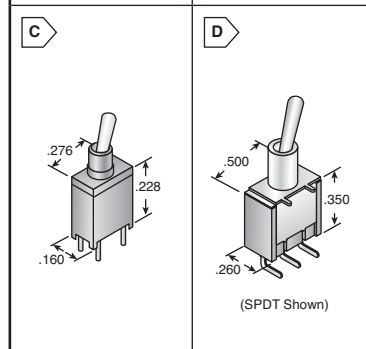
## C&K E SERIES: SEALED MINIATURE TOGGLE SWITCHES

- Contact Material: Cu alloy, with Au plate over Ni plate, Au plate terminal
- Epoxy sealed termination
- Actuator material: Chrome plated brass
- Internal O-ring seal standard with all actuators
- Contact Rating: 0.4VA @ 20VAC or DC max.
- Case and bushing material: Glass filled nylon
- Unthreaded bushing



For quantities greater than listed, call for quote.

MOUSER STOCK NO.	C&K Part No.	Fig.	Contact Form	Circuit	Mounting Type	Bushing Height	Price Each			
							1	25	50	100
<b>Standard Round Actuator (.300" High)</b>										
611-E101-001	E101MD1ABE	D	SPDT	On-None-On	R/A PC thru-hole	.250"	6.81	6.36	6.00	5.59
611-E101-002	E101MD1AV2BE	E	SPDT	On-None-On	Vertical R/A PC thru-hole	.250"	7.32	6.83	6.44	5.99
611-E101-006	E101MD1CBE	F	SPDT	On-None-On	PC thru-hole	.250"	5.35	5.19	4.68	4.46
611-E103-002	E103MD1AV2BE	E	SPDT	On-Off-On	Vertical R/A PC thru-hole	.250"	7.21	7.01	6.27	5.96
611-E201-002	E201MD1AV2BE	E	DPDT	On-None-On	Vertical R/A PC thru-hole	.250"	10.38	9.09	8.89	7.20
611-E203-002	E203MD1AV2BE	E	DPDT	On-Off-On	Vertical R/A PC thru-hole	.250"	10.52	10.02	8.68	8.46
<b>Long Round Actuator (.500" High)</b>										
611-E101-003	E101SD1CBE	F	SPDT	On-None-On	PC thru-hole	.250"	6.36	5.92	5.60	5.20
611-E103-005	E103SD1ABE	D	SPDT	On-Off-On	R/A PC thru-hole	.250"	7.84	7.48	7.12	6.75
611-E201-003	E201SD1CBE	F	DPDT	On-None-On	PC thru-hole	.250"	7.91	7.64	6.88	6.54



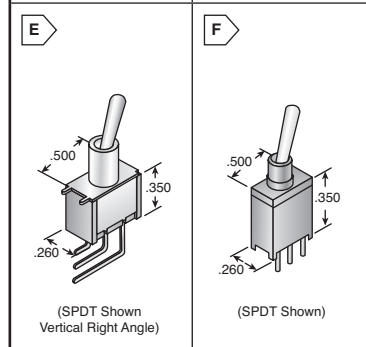
## C&K ET SERIES: SEALED SUBMINIATURE TOGGLE SWITCHES

- Contact Material: B- Cu alloy, with Au plate over Ni plate, Au plate terminal
- K- Cu alloy, with Au plate over Ni plate, SnPb plate terminal
- G- Coin Ag, with Au plate over Ni plate, Au plate terminal
- Epoxy sealed termination
- Actuator material: Chrome plated brass
- Internal O-ring seal standard with all actuators
- Contact Rating: B and K- 0.4VA @ 20VAC or DC max.
- G- 0.4VA @ 20VAC or DC max. or 5A @ 120VAC; 2A @ 250VAC
- Case and bushing material: Glass filled nylon
- Unthreaded bushing



( ) = Momentary For quantities greater than listed, call for quote.

MOUSER STOCK NO.	C&K Part No.	Fig.	Contact Form	Circuit	Mounting Type	Bushing Height	Contact Material	Price Each			
								1	25	50	100
<b>Standard Round Actuator (.240" High)</b>											
611-ET01-011	ET01MD1ABE	G	SPDT	On-On	R/A PC thru-hole	.177"	B	6.33	5.61	5.27	4.98
611-ET01-006	ET01MD1AGE	G	SPDT	On-On	R/A PC thru-hole	.177"	G	7.78	7.25	6.85	6.38
611-ET01-002	ET01MD1AVBE	E	SPDT	On-On	R/A PC thru-hole	.177"	B	6.78	6.06	5.69	5.37
611-ET01-001	ET01MD1CBE	F	SPDT	On-On	PC thru-hole	.177"	B	6.02	5.62	5.03	4.82
611-ET01-013	ET01MD1V3BE	H	SPDT	On-On	V bracket	.177"	B	7.37	6.87	6.48	6.03
611-ET03-011	ET03MD1ABE	G	SPDT	On-Off-On	R/A PC thru-hole	.177"	B	8.25	7.69	7.26	6.75
611-ET08-011	ET08MD1ABE	G	SPDT	On-(On)	R/A PC thru-hole	.177"	B	6.76	6.51	5.87	5.58
<b>Round Actuator (.320" High)</b>											
611-ET01-005	ET01LD1CBE	F	SPDT	On-On	PC thru-hole	.177"	B	6.91	6.44	6.08	5.67
<b>Long Round Actuator (.400" High)</b>											
611-ET01-003	ET01SD1CBE	F	SPDT	On-On	PC thru-hole	.177"	B	6.56	6.27	5.96	5.65
611-ET01-004	ET01SD1ABE	G	SPDT	On-On	R/A PC thru-hole	.177"	B	6.31	5.37	5.14	4.99



## C&K T SERIES: SEALED SUBMINIATURE TOGGLE SWITCHES

- Contact Material: B- Cu alloy, with Au plate over Ni plate, Au plate terminal
- Q- Cu alloy, with Ag plate, Ag plate terminal
- Actuator material: Chrome plated brass
- Housing material: Stainless steel
- Contact Rating: B- 0.4VA @ 20VAC or DC max.
- Q- 5A @ 120VAC; 2A @ 250VAC
- Bushing material: Nickel plated brass
- Case material: Glass filled nylon or DAP



For quantities greater than listed, call for quote.

MOUSER STOCK NO.	C&K Part No.	Fig.	Contact Form	Circuit	Mounting Type	Bushing Height	Contact Material	Price Each			
								1	25	50	100
<b>Standard Round Actuator (.370" High), Threaded Bushing</b>											
611-T101-001	T101SHCQE	I	SPDT	On-On	PC thru-hole	.220" flat	Q	5.63	5.21	4.99	4.72
611-T103-001	T103SHCQE	I	SPDT	On-Off-On	PC thru-hole	.220" flat	Q	6.75	6.25	5.98	5.65
611-T102SHZQE	T102SHZQE	J	SPDT	Off-None-On	Solder lug	.220" flat	Q	6.87	6.36	6.09	5.76
611-T103-002	T103SHZQE	J	SPDT	Off-Off-On	Solder lug	.220" flat	Q	6.87	6.36	6.09	5.76
<b>Short Round Actuator (.210" High), Unthreaded Bushing</b>											
611-T101-004	T101MH9ABE	G	SPDT	On-On	R/A PC thru-hole	.220" flat	B	7.13	6.65	6.28	5.84
611-T101-005	T101MH9AVBE	E	SPDT	On-On	R/A PC thru-hole	.220" flat	B	6.48	6.00	5.74	5.43

