

SHIN CHIN Pushbutton Switches



Specifications:

- Contact resistance: 50mΩ max. • Insulation Resistance: 500VDC 100MΩ min.



This product is RoHS compliant.

Rating: 6A/125VAC, 3A/250VAC

- Terminal type: Solder

For quantities greater than listed, call for quote.

MOUSER STOCK NO.	Shin Chin Part No.	Fig.	Type	Circuit	Cap Color	Price Each			
						1	50	100	500
112-PA106A1-B/BL	PA106A1-UB	A	SPDT	On-(On)	Black	3.08	2.77	2.49	2.25
112-R13-507A-B/B	R13-507A-05-BB	B	SPST	Off-(On)	Black	1.75	1.58	1.42	1.28
112-R13-507A-R/B	R13-507A-05-BR	B	SPST	Off-(On)	Red	1.75	1.58	1.42	1.28
112-R13-551A1-B	R13-551A1-05-B	C	SPST	Off-(On)	Black	2.24	1.72	1.56	1.42
112-R13-551A1-R	R13-551A1-05-R	C	SPST	Off-(On)	Red	2.24	1.72	1.56	1.42
112-R13-551A1-G	R13-551A1-05-G	C	SPST	Off-(On)	Green	2.24	1.72	1.56	1.42

Rating: 3A/125VAC, 1.5A/250VAC

- Terminal type: Solder

For quantities greater than listed, call for quote.

MOUSER STOCK NO.	Shin Chin Part No.	Fig.	Type	Circuit	Cap Color	Price Each			
						1	50	100	500
112-R13-23A-R	R13-23A-05-BR	D	SPST	Off-(On)	Red	1.40	1.26	1.06	.97
112-R13-23B-B	R13-23B-05-BB	D	SPST	Off-On	Black	1.40	1.26	1.06	.97
112-R13-23B-R	R13-23B-05-BR	D	SPST	Off-On	Red	1.40	1.26	1.06	.97
112-R13-24A-B	R13-24A-05-BB	E	SPST	Off-(On)	Black	1.09	.96	.83	.70
112-R13-24A-R	R13-24A-05-BR	E	SPST	Off-(On)	Red	1.09	.96	.83	.70
112-R13-24A-W	R13-24A-05-BW	E	SPST	Off-(On)	White	1.09	.96	.83	.70
112-R13-40A-B	R13-40A-05-BB	F	SPST	Off-(On)	Black	1.44	1.29	1.16	1.04
112-R13-40A-R	R13-40A-05-BR	F	SPST	Off-(On)	Red	1.44	1.29	1.16	1.04
112-R13-40B-B	R13-40B-05-BB	F	SPST	Off-On	Black	1.68	1.53	1.40	1.28
112-R13-40B-R	R13-40B-05-BR	F	SPST	Off-On	Red	1.68	1.53	1.40	1.28
112-R13-502A-B/B	R13-502A-05-BB	G	SPST	Off-(On)	Black	1.96	1.76	1.59	1.43
112-R13-502A-G/B	R13-502A-05-BG	G	SPST	Off-(On)	Green	1.96	1.76	1.59	1.43
112-R13-502A-R/B	R13-502A-05-BR	G	SPST	Off-(On)	Red	1.96	1.76	1.59	1.43
112-R13-502MA-B/B	R13-502MA-05-BB	G	SPST	Off-(On)	Black	2.45	2.21	1.99	1.79
112-R13-502MA-G/B	R13-502MA-05-BG	G	SPST	Off-(On)	Green	2.45	2.21	1.99	1.79
112-R13-502MA-R/B	R13-502MA-05-BR	G	SPST	Off-(On)	Red	2.45	2.21	1.99	1.79
112-R13-502MA-Y/B	R13-502MA-05-BY	G	SPST	Off-(On)	Yellow	2.45	2.21	1.99	1.79
112-R13-502MC-B/B	R13-502MC-05-BB	H	SPDT	On-(On)	Black	3.08	2.77	2.49	2.25
112-R13-508A-B	R13-508A-05-BB	I	SPST	Off-(On)	Black	3.08	2.77	2.49	2.25
112-R13-508AL-R	R13-508AL-05-BRR-L3	I	SPST	Off-(On)	Illum. Red	3.57	3.21	2.89	2.60
112-R13-510A-B	R13-510A-05-BB	J	SPST	Off-(On)	Black	2.10	1.89	1.70	1.53
112-R13-510A-R	R13-510A-05-BR	J	SPST	Off-(On)	Red	2.10	1.89	1.70	1.53
112-R13-511A-R	R13-511A-05-BR	K	SPST	Off-(On)	Red	3.30	2.97	2.67	2.41
112-R13-512A1-BB	R13-512A1-05-BB	L	SPST	Off-(On)	Black	1.82	1.40	1.27	1.15
112-R13-512A1-BR	R13-512A1-05-BR	L	SPST	Off-(On)	Red	1.82	1.40	1.27	1.15
112-R13-512A2-BB	R13-512A2-05-BB	M	SPST	Off-(On)	Black	1.82	1.40	1.27	1.15
112-R13-512A2-BR	R13-512A2-05-BR	M	SPST	Off-(On)	Red	1.82	1.40	1.27	1.15
112-R13-512B1-BB	R13-512B1-05-BB	L	SPST	Off-On	Black	2.09	1.61	1.46	1.33
112-R13-512B1-BR	R13-512B1-05-BR	L	SPST	Off-On	Red	2.09	1.61	1.46	1.33
112-R13-512B2-BB	R13-512B2-05-BB	M	SPST	Off-On	Black	2.09	1.61	1.46	1.33
112-R13-512B2-BR	R13-512B2-05-BR	M	SPST	Off-On	Red	2.09	1.61	1.46	1.33
112-R13-523BL-G-12V	R13-523BL-05-BGG-L1	N	SPST	Off-On	Illum. Green	4.63	4.16	3.74	3.36
112-R13-548A-BR	R13-548A-05-BR	O	SPST	(On)-Off	Red	1.43	1.10	1.00	.91
112-R13-548AL-BRR	R13-548AL-05-BRR	O	SPST	(On)-Off	Illum. Red	2.17	1.67	1.52	1.38
112-R13-548B-BR	R13-548B-05-BR	O	SPST	On-Off	Red	1.42	1.09	.99	.90
112-R13-548BL-BRR	R13-548BL-05-BRR	O	SPST	On-Off	Illum. Red	2.24	1.72	1.56	1.42

Rating: 1A/125VAC, 1.5A/250VAC

- Terminal type: Solder

For quantities greater than listed, call for quote.

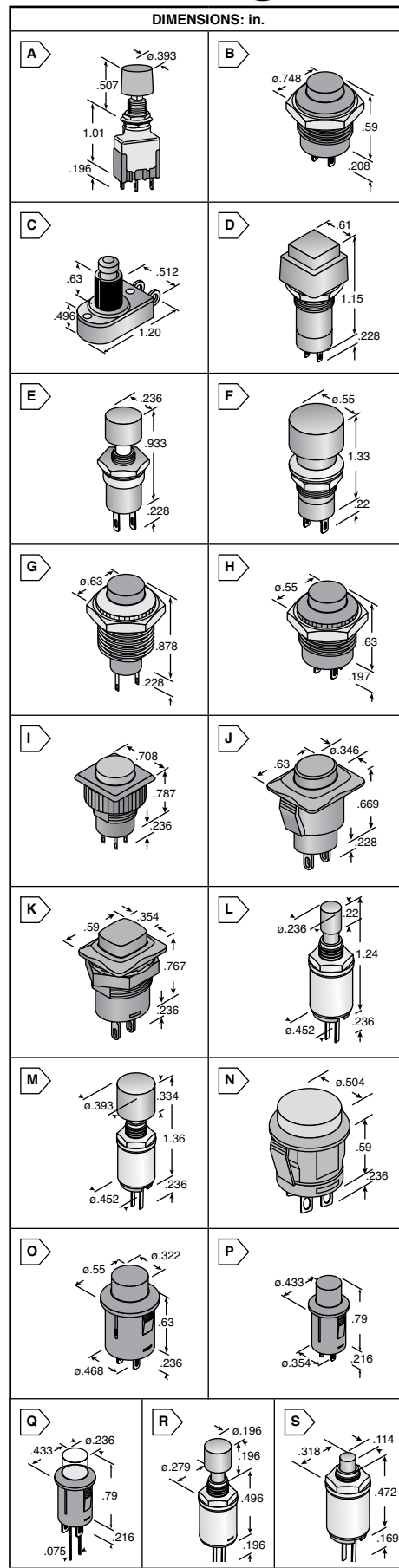
MOUSER STOCK NO.	Shin Chin Part No.	Fig.	Type	Circuit	Cap Color	Price Each			
						1	50	100	500
112-R13-529A-BR	R13-529A-05-BR	P	SPST	Off-(On)	Red	1.05	.81	.74	.67
112-R13-529A-BG	R13-529A-05-BG	P	SPST	Off-(On)	Green	1.05	.81	.74	.67
112-R13-529AL-BRR	R13-529AL-05-BRR	Q	SPST	Off-(On)	Illum. Red	1.26	.97	.88	.80
112-R13-529AL-BGG	R13-529AL-05-BGG	Q	SPST	Off-(On)	Illum. Green	1.26	.97	.88	.80
112-R13-529B-BR	R13-529B-05-BR	P	SPST	Off-On	Red	1.05	.81	.74	.67
112-R13-529BL-BRR	R13-529BL-05-BRR	Q	SPST	Off-On	Illum. Red	1.34	1.03	.94	.85
112-R13-529BL-BGG	R13-529BL-05-BGG	Q	SPST	Off-On	Illum. Green	1.34	1.03	.94	.85

Rating: 0.5A/125VAC

- Terminal type: PC

For quantities greater than listed, call for quote.

MOUSER STOCK NO.	Shin Chin Part No.	Fig.	Type	Circuit	Cap Color	Price Each			
						1	50	100	500
112-R13-521B-BB	R13-521B-09-BB	R	SPST	Off-(On)	Black	1.40	1.12	1.07	1.01
112-R13-521B-BR	R13-521B-09-BR	R	SPST	Off-(On)	Red	1.40	1.12	1.07	1.01
112-R13-81-B	R13-81A-09-B	S	SPST	Off-(On)	Black	1.54	1.39	1.25	1.12
112-R13-81-R	R13-81A-09-R	S	SPST	Off-(On)	Red	1.54	1.39	1.25	1.12



Shin Chin Pushbutton Switches