

SCHURTER Vandal-Proof Switches



ELECTRONIC COMPONENTS

SCHURTER MSM16, MSM19 AND MSM22 SERIES: VANDAL-PROOF MOMENTARY MECHANICAL SWITCHES

The robust vandal-proof MSM switch has a high shock resistance and an extremely flat front construction of only 1.7mm. Housing and actuator are made of top-quality stainless steel. The MSM is designed for quick mounting; the wires are simply plugged onto the quick connect terminals of the detachable contact module. Then the module is snapped into the switch, which is simply mounted beforehand. There are variants with point or ring illumination for night applications or for optical status indications.

Specifications:

- Contact material: Silver
- Max. switching voltage: 125VAC
- Max. switching current: 5A
- Contact form: SPDT
- Lifetime: 200,000 cycles
- Actuation force: 4.5 N
- IP67 protected

Benefits:

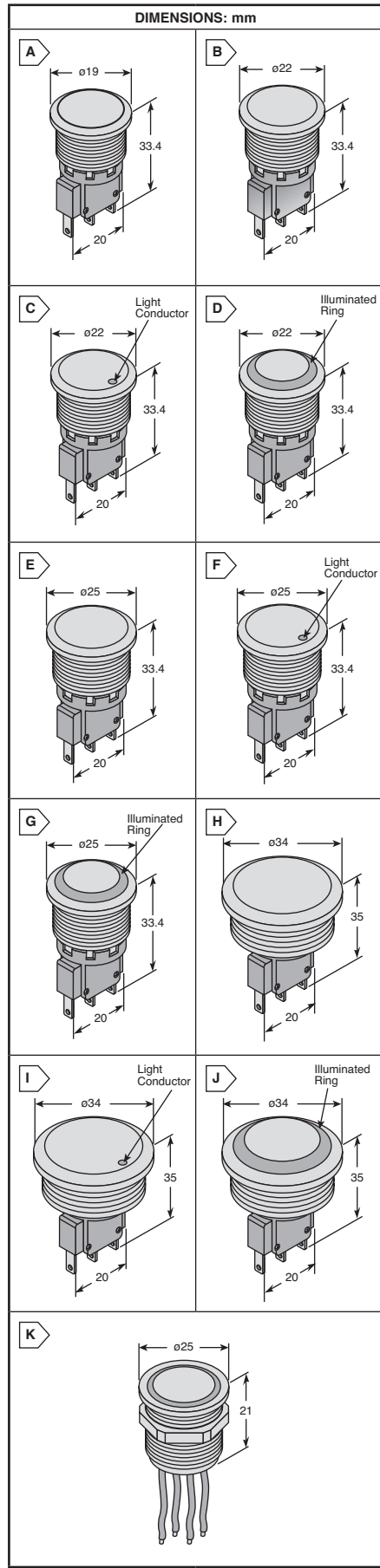
- High shock resistance
- Pleasant tactile feeling
- Flat front design
- Easy mounting
- Made of top-quality stainless steel

LED Characteristics:

- LED forward voltage: Red - 1.6V; Green - 2.0V, Blue-3.2V
- LED forward current: Red/Green - 40mA, Blue-20mA

For quantities greater than listed, call for quote.

MOUSER STOCK NO.	Schurter Part No.	Fig.	Illumination	Mounting Diameter	Price Each			
					1	10	25	50
693-1241.6611.1120	1241.6611.1120000	A	None	16mm	13.07	12.18	11.22	10.27
693-1241.6621.1120	1241.6621.1120000	B	None	19mm	12.17	11.34	10.46	9.56
693-1241.6623.1120	1241.6623.1121000	C	Point, Red	19mm	25.76	23.62	20.83	18.41
693-1241.6623.1122	1241.6623.1122000	C	Point, Green	19mm	26.40	24.20	21.35	18.86
693-1241.6623.1124	1241.6623.1124000	C	Point, Blue	19mm	27.72	24.96	22.32	19.71
693-1241.6624.1121	1241.6624.1121000	D	Ring, Red	19mm	36.48	33.44	29.95	28.54
693-1241.6624.1122	1241.6624.1122000	D	Ring, Green	19mm	42.05	38.54	34.53	30.09
693-1241.6624.1124	1241.6624.1124000	D	Ring, Blue	19mm	40.17	36.19	32.89	32.12
693-1241.6631.1120	1241.6631.1120000	E	None	22mm	13.74	12.81	11.81	10.80
693-1241.6633.1124	1241.6633.1124000	F	Point, Blue	22mm	29.10	26.23	23.47	20.72
693-1241.6634.1121	1241.6634.1121000	G	Ring, Red	22mm	42.93	38.67	34.59	30.52
693-1241.6634.1122	1241.6634.1122000	G	Ring, Green	22mm	41.89	37.73	33.75	30.52
693-1241.6634.1124	1241.6634.1124000	G	Ring, Blue	22mm	43.61	41.45	39.25	37.07



SCHURTER MSM30 SERIES: VANDAL-PROOF MOMENTARY MECHANICAL SWITCHES

The new MSM30 offers the same robust characteristics as its smaller counterparts, only it has a larger, ergonomically designed, actuating area of 30mm for superb tactile feel. The MSM30 is ideal for systems where a large actuating area is required for operation, information and vending systems, dashboards, consoles and broadcasting systems.

Specifications:

- Insulation resistance: 100,000kΩ
- Contact bounce time: < 5ms
- Lifetime (rated braking capacity): 0.1A/3A = 200,000 cycles
10A = 50,000 cycles

Benefits:

- High shock resistance
- Pleasant tactile feeling
- Flat front design
- Easy mounting
- Made of top-quality stainless steel

LED Characteristics:

- LED forward voltage: Red - 1.6V; Green - 2.0V, Blue-3.2V
- LED forward current: Red/Green - 40mA, Blue-20mA

For quantities greater than listed, call for quote.

MOUSER STOCK NO.	Schurter Part No.	Fig.	Illum.	Contact Material	Switching (Max)			Price Each			
					Current	Voltage	Breaking Capacity	1	10	25	50
Standard											
693-1241.6661.1110	1241.6661.1110000	H	None	Gold	0.1A	30V	3W	25.20	22.69	20.31	17.92
693-1241.6661.1120	1241.6661.1120000	H	None	Silver	3A	125V	1250W	22.65	20.39	18.25	17.03
With Illumination											
693-1241.6663.1111	1241.6663.1111000	I	Point, Red	Gold	100mA	30V	3W	42.17	37.96	33.98	29.97
693-1241.6663.1131	1241.6663.1131000	I	Point, Red	Silver	10A	250V	2500W	42.17	37.96	33.98	29.97
693-1241.6663.1132	1241.6663.1132000	I	Point, Green	Silver	10A	250V	2500W	41.15	37.04	33.16	29.24
693-1241.6664.1111	1241.6664.1111000	J	Ring, Red	Gold	100mA	30V	3W	60.38	54.37	48.65	42.93
693-1241.6664.1112	1241.6664.1112000	J	Ring, Green	Gold	100mA	30V	3W	60.38	54.37	48.65	42.93
693-1241.6664.1121	1241.6664.1121000	J	Ring, Red	Silver	5A	125V	1250W	44.94	42.22	40.22	35.50
693-1241.6664.1122	1241.6664.1122000	J	Ring, Green	Silver	5A	125V	1250W	46.06	43.27	41.22	36.38
693-1241.6664.1124	1241.6664.1124000	J	Ring, Blue	Silver	5A	125V	1250W	51.02	45.95	41.13	36.27
693-1241.6664.1131	1241.6664.1131000	J	Ring, Red	Silver	10A	250V	2500W	60.38	54.37	48.65	42.93
693-1241.6664.1132	1241.6664.1132000	J	Ring, Green	Silver	10A	250V	2500W	60.38	54.37	48.65	42.93

SCHURTER PSE M22R SERIES: VANDAL-PROOF MOMENTARY PIEZO SWITCHES

This new piezo switch has been specifically designed for applications in hostile environments. Its vandal-proof housing with a compact M22 metric thread screw socket encloses a powerful ring illumination, which is available in a choice of one or two colors and can be attached to a 12V or 24V power supply. It can be ordered complete with Molex connector or wires.

Specifications:

- Contact material: Aluminum natural
- Switching current: 0.1A
- Switching capacity max: 1W
- Actuation force: 1.5N - 3.0N
- IP67 protected

For quantities greater than listed, call for quote.

MOUSER STOCK NO.	Schurter Part No.	Fig.	Illumination	Illumination Voltage	Terminals	Switching Volt. Max	Price Each			
							1	10	25	50
693-1241.3256	1241.3256	K	Red	24V	Wire	60V	103.47	98.25	93.07	87.90
693-1241.3257	1241.3257	K	Green	24V	Wire	60V	103.47	98.25	93.07	87.90
693-1241.3258	1241.3258	K	Red/Green	24V	Wire	60V	113.02	107.35	101.71	96.06