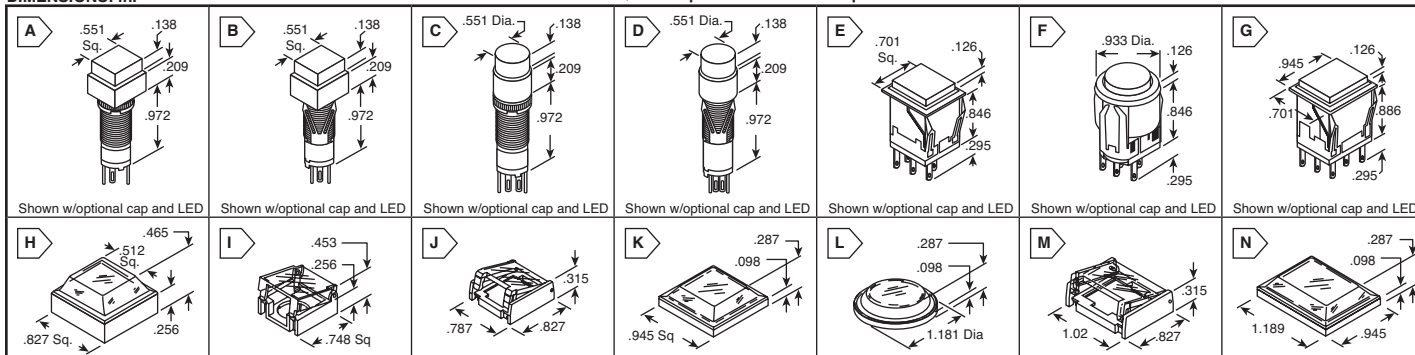


NKK Illuminated Pushbutton Switches



This product is RoHS compliant.

DIMENSIONS: in.



Single Element Bright LED Specifications

Color	Red	Amber	Green
Forward peak current	30mA	30mA	30mA
Continuous forward current	20mA	20mA	20mA
Forward voltage	1.9V	2.0V	2.1V
Reverse peak voltage	5V	5V	5V
Current reduction rate above 25°C	0.42mA/°C	0.42mA/°C	0.42mA/°C
Ambient temperature range	-25~+50°C		

Incandescent Lamp Specifications

Voltage AC	5VAC	12VAC
Current	115mA	60mA
Endurance (hours)	7,000	
Ambient temperature range	-25~+50°C	

RoHS Compliant

All items on page are RoHS Compliant

NKK KB SERIES: ILLUMINATED MINIATURE PUSHBUTTONS

- Polyamide housing and housing base
- Power rating: 1A @ 125/250VAC or 30VDC
- Solder lug

() = Momentary

MOUSER STOCK NO.	NKK Part No.	Fig.	Circuit	Contact Material	Price Each		
					1	25	50
Square, Bushing Mounting							
633-KB15SKW01	KB15SKW01	A	SPDT On-(On)	Silver	5.36	5.26	5.19
633-KB16SKW01	KB16SKW01	A	SPDT On-On	Silver	6.47	6.32	6.27
633-KB25SKW01	KB25SKW01	A	DPDT On-(On)	Silver	8.29	8.16	8.02
633-KB26SKW01	KB26SKW01	A	DPDT On-On	Silver	8.46	8.33	8.19
Square, Snap-In Mounting							
633-KB15KKW01	KB15KKW01	B	SPDT On-(On)	Silver	8.49	6.01	5.42
633-KB16KKW01	KB16KKW01	B	SPDT On-On	Silver	6.87	6.47	6.28
Snap-On Caps for use with Square Switches and Incandescent Lamp AT611							
633-AT485BB	AT485BB		Translucent white lens/white filter		1.19	1.12	1.05
633-AT485CB	AT485CB		Translucent red lens/white filter		1.18	1.11	1.04
633-AT485EB	AT485EB		Translucent yellow lens/white filter		1.19	1.12	1.05
633-AT485FB	AT485FB		Translucent green lens/white filter		1.19	1.12	1.05
633-AT485GB	AT485GB		Translucent blue lens/white filter		1.19	1.12	1.05
Snap-On Caps for use with Square Switches and Bright LED AT635							
633-AT4133JB	AT4133JB		Clear lens/white translucent diffuser		1.03	1.01	1.00
633-AT4158JC	AT4158JC		Clear lens/red translucent diffuser		1.03	1.00	.96
633-AT4158JD	AT4158JD		Clear lens/amber translucent diffuser		1.03	1.00	.96
633-AT4158JF	AT4158JF		Clear lens/green translucent diffuser		1.03	1.00	.96
Round, Bushing Mounting							
633-KB15CKW01	KB15CKW01	C	SPDT On-(On)	Silver	5.74	5.60	5.47
633-KB16CKW01	KB16CKW01	C	SPDT On-On	Silver	6.25	5.69	5.50
633-KB25CKW01	KB25CKW01	C	DPDT On-(On)	Silver	8.13	7.77	7.53
633-KB26CKW01	KB26CKW01	C	DPDT On-On	Silver	8.29	8.02	7.93
Round, Snap-In Mounting							
633-KB15MKW01	KB15MKW01	D	SPDT On-(On)	Silver	5.32	5.14	4.97
633-KB16MKW01	KB16MKW01	D	SPDT On-On	Silver	6.69	6.41	6.21
633-KB26MKW01	KB26MKW01	D	DPDT On-On	Silver	11.80	8.36	7.91
Snap-On Caps for use with Round Switches and Incandescent Lamp AT611							
633-AT486BB	AT486BB		Translucent white lens/white filter		1.00	.97	.94
633-AT486CB	AT486CB		Translucent red lens/white filter		1.00	.97	.94
633-AT486FB	AT486FB		Translucent green lens/white filter		1.02	.957	.894
Snap-On Caps for use with Round Switches and Bright LED AT635							
633-AT4132JB	AT4132JB		Clear lens/white translucent diffuser		1.03	1.00	.96
633-AT4160JC	AT4160JC		Clear lens/red translucent diffuser		.97	.96	.94
633-AT4160JD	AT4160JD		Clear lens/amber translucent diffuser		1.03	1.01	1.00
633-AT4160JF	AT4160JF		Clear lens/green translucent diffuser		1.03	1.00	.96
Incandescent Lamps and Bright LEDs for KB series							
633-AT611-5V-RO	AT611-5V		Incandescent lamp, 5 VAC, T-1		3.07	1.88	1.75
633-AT611-12V-RO	AT611-12V		Incandescent lamp, 12 VAC, T-1		1.67	1.58	1.48
633-AT635C	AT635C		T-1 1/2 cylindrical red LED		1.72	1.66	1.61
633-AT635D-RO	AT635D		T-1 1/2 cylindrical amber LED		1.87	1.83	1.79
633-AT635F	AT635F		T-1 1/2 cylindrical green LED		1.72	1.66	1.61

NKK LB SERIES: ILLUMINATED STANDARD PUSHBUTTONS

- Polyamide housing
- Snap-In Mounting
- Solder Lug
- Power rating: 3A @ 125/250VAC or 30VDC

MOUSER STOCK NO.	NKK Part No.	Fig.	Circuit	Contact Material	Price Each		
					1	25	50
Square Switches							
633-LB15SKW01	LB15SKW01	E	SPDT On-(On)	Silver	9.05	8.66	8.38
633-LB16SKW01	LB16SKW01	E	SPDT On-On	Silver	9.14	8.60	8.41
633-LB25SKW01	LB25SKW01	E	DPDT On-(On)	Silver	10.43	9.98	9.69
633-LB26SKW01	LB26SKW01	E	DPDT On-On	Silver	11.31	10.80	10.48
Snap-on Caps for use with Square Switches and Incandescent Lamp AT607							
633-AT476BJ	AT476BJ		Translucent white lens/clear filter		1.65	1.62	1.59
633-AT476CJ	AT476CJ		Translucent red lens/clear filter		1.65	1.62	1.59
633-AT476EJ	AT476EJ		Translucent yellow lens/clear filter		1.65	1.63	1.59
633-AT476FJ	AT476FJ		Translucent green lens/clear filter		1.65	1.62	1.59
633-AT476GJ	AT476GJ		Translucent blue lens/clear filter		1.66	1.62	1.59
Snap-on Caps for use with Square Switches and Bright LED AT635							
633-AT4176JC	AT4176JC		Clear lens/red translucent diffuser		1.56	1.51	1.47
633-AT4176JD	AT4176JD		Clear lens/amber translucent diffuser		1.66	1.61	1.57
633-AT4176JF	AT4176JF		Clear lens/green translucent diffuser		1.53	1.48	1.45
Round Switches							
633-LB15CKW01	LB15CKW01	F	SPDT On-(On)	Silver	7.61	7.28	7.05
633-LB16CKW01	LB16CKW01	F	SPDT On-On	Silver	10.08	9.62	9.34
633-LB25CKW01	LB25CKW01	F	DPDT On-(On)	Silver	10.99	10.51	10.21
633-LB26CKW01	LB26CKW01	F	DPDT On-On	Silver	12.32	11.78	11.42
Snap-on Caps for use with Round Switches and Incandescent Lamp AT607							
633-AT4012BJ	AT4012BJ		Translucent white lens/clear filter		1.56	1.49	1.45
633-AT4012CJ	AT4012CJ		Translucent red lens/clear filter		1.66	1.59	1.55
633-AT4012FJ	AT4012FJ		Translucent green lens/clear filter		1.65	1.59	1.55
633-AT4012GJ	AT4012GJ		Translucent blue lens/clear filter		1.65	1.62	1.59
Snap-on Caps for use with Round Switches and Bright LED AT635							
633-AT4178JC	AT4178JC		Clear lens/red translucent diffuser		1.66	1.61	1.57
633-AT4178JD	AT4178JD		Clear lens/amber translucent diffuser		1.66	1.63	1.61
633-AT4178JF	AT4178JF		Clear lens/green translucent diffuser		1.66	1.61	1.57
Rectangular Switches							
633-LB15RKW01	LB15RKW01	G	SPDT On-(On)	Silver	8.34	7.92	7.64
633-LB16RKW01	LB16RKW01	G	SPDT On-On	Silver	10.08	9.62	9.34
633-LB25RKW01	LB25RKW01	G	DPDT On-(On)	Silver	11.99	11.74	11.60
633-LB26RKW01	LB26RKW01	G	DPDT On-On	Silver	14.78	12.71	12.19
Snap-on Caps for use with Rectangular Switches and Incandescent Lamp AT607							
633-AT4026BJ	AT4026BJ		Translucent white lens/clear filter		1.55	1.52	1.49
633-AT4026CJ	AT4026CJ		Translucent red lens/clear filter		1.49	1.41	1.38
633-AT4026EJ	AT4026EJ		Translucent yellow lens/clear filter		1.59	1.50	1.47
633-AT4026FJ	AT4026FJ		Translucent green lens/clear filter		1.59	1.50	1.44
633-AT4026GJ	AT4026GJ		Translucent blue lens/clear filter		1.59	1.50	1.44
Snap-on Caps for use with Rectangular Switches and Bright LED AT635							
633-AT4177JC	AT4177JC		Clear lens/red translucent diffuser		1.66	1.61	1.57
633-AT4177JD	AT4177JD		Clear lens/amber translucent diffuser		1.66	1.63	1.61
633-AT4177JF	AT4177JF		Clear lens/green translucent diffuser		1.56	1.51	1.47
Incandescent Lamps and Bright LEDs for LB series							
633-AT607-5V-RO	AT607-5V		Incandescent lamp, 5 VAC, T-1		1.76	1.72	1.69
633-AT607-12V-RO	AT607-12V		Incandescent lamp, 12 VAC, T-1		1.67	1.58	1.48
633-AT635C	AT635C		T-1 1/2 cylindrical red LED		1.72	1.66	1.61
633-AT635F	AT635F		T-1 1/2 cylindrical green LED		1.72	1.66	1.61

NKK OPTIONAL ACCESSORIES FOR KB AND LB SERIES

MOUSER STOCK NO.	NKK Part No.	Fig.	Description	Price Each		
				1	25	50
633-AT495	AT495	H	Square and round dust cover, KB	2.54	1.52	1.42
633-AT494	AT494	I	Square and round protective guard, KB	1.33	1.27	1.22
633-AT499	AT499	J	Square protective guard, LB	1.86	1.82	1.78
633-AT4001	AT4001	K	Square dust cover, LB	1.80	1.72	1.67
633-AT4002	AT4002	L	Round dust cover, LB	1.62	1.59	1.56
633-AT4057	AT4057	M	Rectangular protective guard, LB	1.86	1.82	1.78
633-AT4011	AT4011	N	Rectangular dust cover, LB	1.70	1.63	1.58
633-AT111	AT111	--	Lamping tool, LB and KB	.67	.62	.58
633-AT109	AT109	--	Cap extractor, LB and KB	1.52	1.44	1.35
633-AT108	AT108	--	Socket wrench, KB	2.74	2.59	2.52
633-AT112	AT112	--	Socket wrench, LB	2.66	2.53	2.38

NKK

Pushbutton Switches