

NKK Illuminated and Non-illuminated Pushbuttons



RoHS Compliant This product is RoHS compliant.

LP01 SERIES: SHORT BODY PUSHBUTTONS

Features:

- Contact material: Silver
- Rating: 3A @ 125VAC/250VAC
- Solder lug
- Bushing or snap-in mounting
- Suited for lead free soldering
- Environmentally friendly components
- UL 94V-0 housing and base
- Tamper proof caps



| LED Specifications for LP01 Series | Red | Amber | Green |
|------------------------------------|---------------|-----------|-----------|
| Forward peak current | 30mA | 30mA | 30mA |
| Continuous forward current | 20mA | 20mA | 20mA |
| Forward voltage | 1.95V | 2.0V | 2.1V |
| Reverse peak voltage | 5V | 5V | 5V |
| Current reduction rate above 25°C | 0.41mA/°C | 0.29mA/°C | 0.39mA/°C |
| Ambient temperature range | -10°C ~ +50°C | | |

Non-Illuminated and Illuminated

For quantities greater than listed, call for quote.

| MOUSER STOCK NO. | NKK Part Number | Fig. | Circuit () = Momentary | Cap Color/LED Colors | Price Each | | |
|--------------------------------------|-----------------|------|----------------------------|----------------------|------------|-------|-------|
| | | | | | 1 | 25 | 50 |
| Non-Illuminated Bushing Mount | | | | | | | |
| 633-LP0115CCKW01C | LP0115CCKW01C | A | SPDT On-(On) | Red | 7.20 | 6.91 | 6.48 |
| 633-LP0115CCKW01A | LP0115CCKW01A | A | SPDT On-(On) | Black | 7.20 | 6.91 | 6.48 |
| 633-LP0115CCKW01F | LP0115CCKW01F | A | SPDT On-(On) | Green | 9.50 | 7.33 | 6.75 |
| 633-LP0125CCKW01C | LP0125CCKW01C | A | DPDT On-(On) | Red | 8.40 | 8.06 | 7.56 |
| 633-LP0125CCKW01A | LP0125CCKW01A | A | DPDT On-(On) | Black | 11.06 | 8.55 | 7.61 |
| 633-LP0125CCKW01F | LP0125CCKW01F | A | DPDT On-(On) | Green | 8.40 | 8.06 | 7.56 |
| Non-Illuminated Snap-In Mount | | | | | | | |
| 633-LP0115CMKW01C | LP0115CMKW01C | B | SPDT On-(On) | Red | 10.95 | 8.45 | 8.30 |
| 633-LP0115CMKW01A | LP0115CMKW01A | B | SPDT On-(On) | Black | 7.20 | 6.91 | 6.48 |
| 633-LP0115CMKW01F | LP0115CMKW01F | B | SPDT On-(On) | Green | 8.30 | 7.96 | 7.47 |
| Illuminated Bushing Mount | | | | | | | |
| 633-LP0115CCKW015CB | LP0115CCKW015CB | A | SPDT On-(On) | White/Red | 10.18 | 8.90 | 8.54 |
| 633-LP0115CCKW015DB | LP0115CCKW015DB | A | SPDT On-(On) | White/Amber | 10.18 | 8.90 | 8.54 |
| 633-LP0115CCKW015FB | LP0115CCKW015FB | A | SPDT On-(On) | White/Green | 11.77 | 10.29 | 9.87 |
| 633-LP0125CCKW015CB | LP0125CCKW015CB | A | DPDT On-(On) | White/Red | 11.56 | 10.08 | 9.13 |
| 633-LP0125CCKW015DB | LP0125CCKW015DB | A | DPDT On-(On) | White/Amber | 13.37 | 11.66 | 10.56 |
| 633-LP0125CCKW015FB | LP0125CCKW015FB | A | DPDT On-(On) | White/Green | 13.37 | 11.66 | 10.56 |
| Illuminated Snap-In Mount | | | | | | | |
| 633-LP0115CMKW015CB | LP0115CMKW015CB | B | SPDT On-(On) | White/Red | 9.42 | 8.70 | 8.17 |
| 633-LP0115CMKW015DB | LP0115CMKW015DB | B | SPDT On-(On) | White/Amber | 9.42 | 8.70 | 8.17 |
| 633-LP0115CMKW015FB | LP0115CMKW015FB | B | SPDT On-(On) | White/Green | 10.89 | 10.06 | 9.45 |

GB SERIES: ULTRA-MINIATURE ILLUMINATED PUSHBUTTONS

Features:

- Contact material: Gold
- Rating: 0.4VA max. @ 28VAC/VDC max.
- Washable
- Ideal for handheld equipment
- Smooth, positive detent actuation
- Highly visible indication status
- Process sealed

| LED Specifications for GB Series | Red | Amber | Green |
|-----------------------------------|---------------|-----------|-----------|
| Forward peak current | 30mA | 30mA | 25mA |
| Continuous forward current | 20mA | 20mA | 20mA |
| Forward voltage | 1.9V | 1.9V | 2.1V |
| Reverse peak voltage | 5V | 5V | 5V |
| Current reduction rate above 25°C | 0.43mA/°C | 0.43mA/°C | 0.38mA/°C |
| Ambient temperature range | -25°C ~ +55°C | | |

| MOUSER STOCK NO. | NKK Part Number | Fig. | Circuit () = Momentary | Cap Color/LED Colors | Price Each | | |
|-----------------------|-----------------|------|----------------------------|----------------------|------------|------|------|
| | | | | | 1 | 25 | 50 |
| Straight PC | | | | | | | |
| 633-GB15JPC-RO | GB15JPC | C | SPDT ON-(ON) | Red | 8.93 | 6.31 | 5.88 |
| 633-GB15JPD-RO | GB15JPD | C | SPDT ON-(ON) | Amber | 8.93 | 6.31 | 5.88 |
| Right Angle PC | | | | | | | |
| 633-GB15JHC-RO | GB15JHC | D | SPDT ON-(ON) | Red | 9.36 | 6.43 | 6.08 |
| Vertical PC | | | | | | | |
| 633-GB15JVC-RO | GB15JVC | E | SPDT ON-(ON) | Red | 6.74 | 6.47 | 6.07 |
| 633-GB15JVD-RO | GB15JVD | E | SPDT ON-(ON) | Amber | 10.28 | 9.87 | 9.47 |

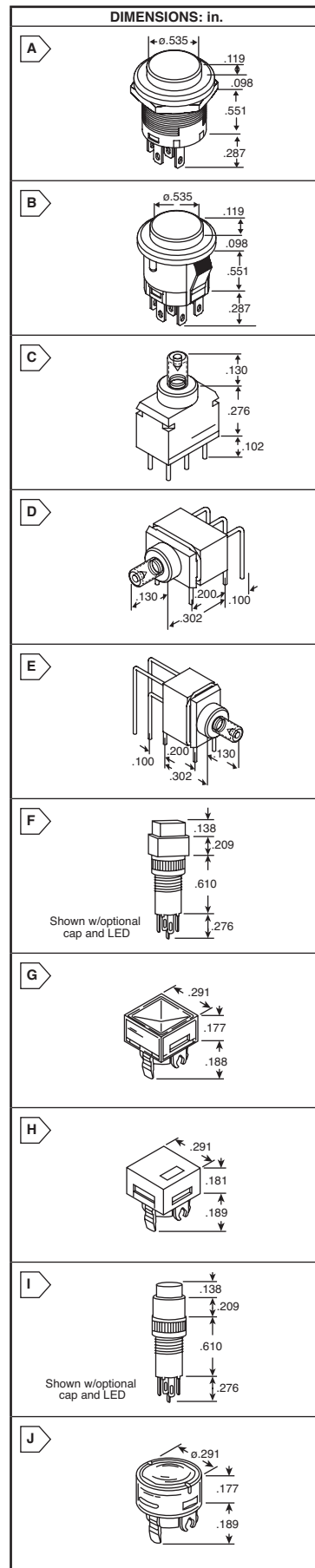
NKK HB SERIES: ILLUMINATED SUBMINIATURE PUSHBUTTONS

Features:

- Contact material and ratings: Silver, 0.1A max. @ 30VAC/DC
- Single element, bright LEDs
- Bushing mount
- Solder lug

| LED Specifications for HB Series | Red | Amber | Green |
|-----------------------------------|-------------|-----------|-----------|
| Forward peak current | 30mA | 30mA | 25mA |
| Continuous forward current | 20mA | 20mA | 20mA |
| Forward voltage | 1.85V | 2.0V | 2.2V |
| Reverse peak voltage | 5V | 5V | 5V |
| Current reduction rate above 25°C | 0.40mA/°C | 0.42mA/°C | 0.38mA/°C |
| Ambient temperature range | -25 ~ +50°C | | |

| MOUSER STOCK NO. | NKK Part Number | Fig. | Circuit () = Momentary | Price Each | | |
|--|-----------------|------|---------------------------------------|------------|------|------|
| | | | | 1 | 25 | 50 |
| Square Switches | | | | | | |
| 633-HB15SKW01 | HB15SKW01 | F | SPDT On-(On) | 5.86 | 5.46 | 5.21 |
| 633-HB16SKW01 | HB16SKW01 | F | SPDT On-On | 5.80 | 5.61 | 5.46 |
| Snap-On Caps for use with Square Switches | | | | | | |
| 633-AT4166CB | AT4166CB | G | Transparent red lens/white diffuser | 1.05 | 1.03 | 1.01 |
| 633-AT4166DB | AT4166DB | G | Transparent amber lens/white diffuser | 1.03 | .968 | .926 |
| 633-AT4166FB | AT4166FB | G | Transparent grn lens/white diffuser | 1.00 | .96 | .93 |
| 633-AT4052A | AT4052AB | H | Spot illuminated; use with LED | 1.36 | 1.34 | 1.32 |
| Round Switches | | | | | | |
| 633-HB15CKW01 | HB15CKW01 | I | SPDT On-(On) | 6.40 | 6.19 | 5.87 |
| 633-HB16CKW01 | HB16CKW01 | I | SPDT On-On | 6.85 | 6.45 | 6.28 |
| Snap-On Caps for use with Round Switches | | | | | | |
| 633-AT4167CB | AT4167CB | J | Transparent red lens/white diffuser | 1.05 | .97 | .94 |
| 633-AT4167DB | AT4167DB | J | Transparent amber lens/white diffuser | 1.20 | 1.15 | 1.10 |
| 633-AT4167FB | AT4167FB | J | Transparent grn lens/white diffuser | 1.27 | 1.20 | 1.05 |
| Bright LEDs for HB Series | | | | | | |
| 633-AT633C | AT633C | -- | T-1 Bi-pin, red | 1.64 | 1.55 | 1.42 |
| 633-AT633D | AT633D | -- | T-1 Bi-pin, amber | 1.83 | 1.71 | 1.60 |
| 633-AT633F | AT633F | -- | T-1 Bi-pin, green | 1.47 | 1.41 | 1.38 |
| Accessories | | | | | | |
| 633-AT111 | AT111 | -- | Lamping Tool | .67 | .62 | .58 |
| 633-AT109 | AT109 | -- | Cap Extractor | 1.52 | 1.44 | 1.35 |
| 633-AT110 | AT110 | -- | Socket Wrench | 3.43 | 3.24 | 3.04 |



NKK Pushbutton Switches