

# MOUNTAIN SWITCH Pushbutton Switches

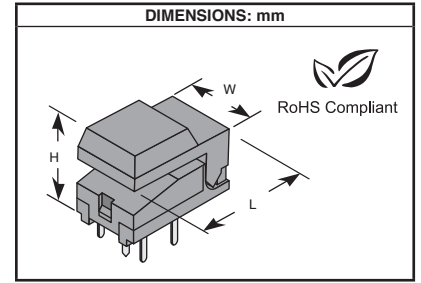


## MOUNTAIN SWITCH DPS SERIES PUSHBUTTON SWITCHES

- Specifications:**
- Rating: 12mA/24VDC
  - Contact material: gold plated copper alloy
  - Operation force: 200gf max.

For quantities greater than listed, call for quote.

MOUSER STOCK NO.	Cap Style	Cap Color	Dimensions: mm L x W x H	Price Each			
				1	50	100	500
<a href="#">107-DPS-01-1-EV</a>	Small	Black	17.7 x 12.2 x 14.5	3.27	2.70	2.28	1.89
<a href="#">107-DPS-01-5-EV</a>	Small	Red	17.7 x 12.2 x 14.5	4.01	3.31	2.80	2.32
<a href="#">107-DPS-11-1-EV</a>	Large	Black	17.7 x 17.2 x 14.5	3.27	2.70	2.28	1.89
<a href="#">107-DPS-11-2-EV</a>	Large	Gray	17.7 x 17.2 x 14.5	3.31	2.80	2.32	2.21
<a href="#">107-DPS-11-4-EV</a>	Large	Blue	17.7 x 17.2 x 14.5	3.27	2.70	2.28	1.89
<a href="#">107-DPS-11-5-EV</a>	Large	Red	17.7 x 17.2 x 14.5	3.27	2.70	2.28	1.89

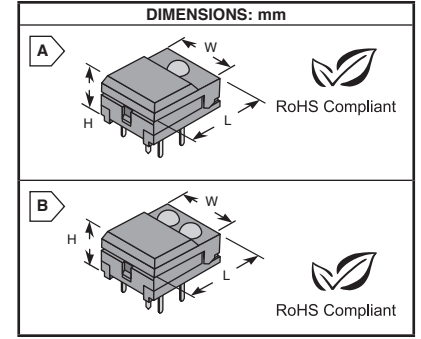


## MOUNTAIN SWITCH SP SERIES ILLUMINATED PUSHBUTTON SWITCHES

- Specifications:**
- Rating: 12mA/24VDC
  - Type: SPDT
  - Operating force: 200gf max

For quantities greater than listed, call for quote.

MOUSER STOCK NO.	Fig.	Cap Style	Cap Color	LED Color	Dimensions: mm L x W x H	Price Each			
						1	50	100	500
<a href="#">107-SP86-A1-9-01-EV</a>	A	Small	Gray	Red	17.5 x 12.4 x 14.5	4.27	3.53	2.97	2.47
<a href="#">107-SP86-A1-1-03-EV</a>	A	Small	Red	Green	17.5 x 12.4 x 14.5	4.27	3.53	2.97	2.47
<a href="#">107-SP86-A1-4-01-EV</a>	A	Small	White	Red	17.5 x 12.4 x 14.5	4.85	4.08	3.39	3.21
<a href="#">107-SP86-A2-5-13-EV</a>	B	Small	Black	Red/Green	17.5 x 12.4 x 14.5	4.70	3.89	3.27	2.72
<a href="#">107-SP86-B1-5-03-EV</a>	A	Large	Black	Green	17.5 x 17.2 x 14.5	4.27	3.53	2.97	2.47
<a href="#">107-SP86-B2-9-13-EV</a>	B	Large	Gray	Red/Green	17.5 x 12.4 x 14.5	4.70	3.89	3.27	2.72



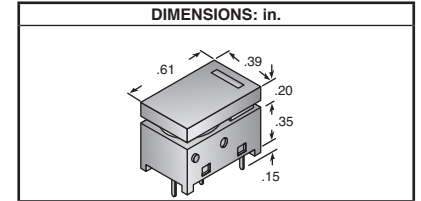
## MOUNTAIN SWITCH MICRO ILLUMINATED PUSHBUTTON SWITCHES

- Specifications:**
- LED reverse voltage: 4V
  - LED forward current: 25mA
  - Rating: 1A/125VAC
  - LED forward voltage (IF=20mA): 2.1V
  - Type: SPST
  - PC terminals

( ) = Momentary

For quantities greater than listed, call for quote.

MOUSER STOCK NO.	Circuit	Cap Color	LED Color	Price Each		
				1	50	100
<a href="#">107-6612</a>	Off-(On)	Black	Green	2.81	2.68	2.56

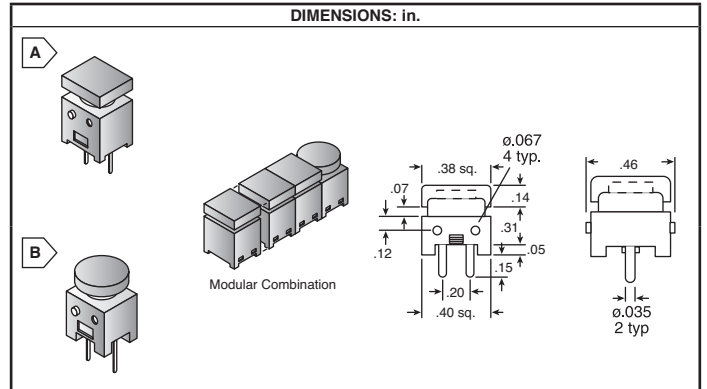


## MOUNTAIN SWITCH MIDGET PUSHBUTTON SWITCHES

- Specifications:**
- Rating: 1A/125VAC
  - Contact resistance: 20mΩ max.
  - Dielectric strength: 1000VAC for 1 minute
  - Circuit: Off-(On), ( ) = Momentary Contact

For quantities greater than listed, call for quote.

MOUSER STOCK NO.	Fig.	Cap Color	Price Each		
			1	50	100
<b>Square (Soft Touch)</b>					
<a href="#">10KB041</a>	A	Red	1.35	1.29	1.24
<b>Square (Tactile Touch)</b>					
<a href="#">10KB032</a>	A	Black	1.35	1.29	1.24
<a href="#">10KB035</a>	A	White	1.35	1.29	1.24
<b>Round (Soft Touch)</b>					
<a href="#">10KB022</a>	B	Black	1.35	1.29	1.24
<a href="#">10KB025</a>	B	White	1.35	1.29	1.24
<b>Round (Tactile Touch)</b>					
<a href="#">10KB011</a>	B	Red	1.35	1.29	1.24
<a href="#">10KB012</a>	B	Black	1.35	1.29	1.24

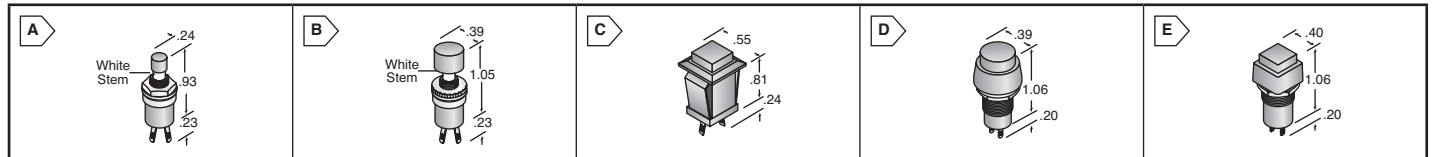


## MOUNTAIN SWITCH PUSHBUTTON SWITCHES

- Dielectric strength: 1000VAC for 1 minute



DIMENSIONS: in.



† Stem color is the same as the button color with knurl nut ( ) = Momentary

For quantities greater than listed, call for quote.

( ) = Momentary

For quantities greater than listed, call for quote.

MOUSER STOCK NO.	Fig.	Type	Circuit	Rating VAC	Color		Price Each		
					Frame	Cap	1	50	100
<a href="#">103-1012-EVX</a>	A	SPST	Off-(On)	1.5A / 250V	Silver	Red	1.09	.96	.83
<a href="#">103-1112-EVX</a>	A	SPST	Off-(On)	1.5A / 250V	Silver	Red	1.09	.96	.83
<a href="#">103-1013-EVX</a>	A	SPST	Off-(On)	1.5A / 250V	Silver	Black	1.09	.96	.83
<a href="#">103-1113-EVX</a>	A	SPST	Off-(On)	1.5A / 250V	Silver	Black	1.09	.96	.83
<a href="#">103-1016-EVX</a>	A	SPST	On-(Off)	1.5A / 250V	Silver	Black	1.15	1.00	.91
<a href="#">103-1022-EVX</a>	B	SPST	Off-(On)	1.5A / 250V	Silver	Red	1.40	1.19	1.06
<a href="#">103-1023-EVX</a>	B	SPST	Off-(On)	1.5A / 250V	Silver	Black	1.12	.95	.85
<a href="#">103-1209-EV</a>	C	SPST	Off-(On)	1.0A / 125V	Black	Green	.87	.74	.66

MOUSER STOCK NO.	Fig.	Type	Circuit	Rating VAC	Color		Price Each		
					Frame	Cap	1	50	100
<a href="#">103-1210-EV</a>	C	SPST	Off-(On)	1.0A / 125V	Black	Red	.87	.74	.66
<a href="#">103-1211-EV</a>	C	SPST	Off-(On)	1.0A / 125V	Black	Black	.87	.74	.66
<a href="#">103-1322-EVX</a>	D	SPST	Off-(On)	3.0A / 125V	Black	Red	2.59	2.15	1.96
<a href="#">103-1323-EVX</a>	D	SPST	Off-(On)	3.0A / 125V	Black	Black	2.34	1.94	1.77
<a href="#">103-1422-EVX</a>	D	SPST	On-Off	1.0A / 125V	Black	Red	2.58	2.16	1.94
<a href="#">103-1423-EVX</a>	D	SPST	On-Off	1.0A / 125V	Black	Black	2.58	2.16	1.94
<a href="#">103-1432-EVX</a>	E	SPST	On-Off	3.0A / 125V	Black	Red	2.86	2.39	2.15