

C&K Pushbutton Switches



C&K PVA SERIES SHORT STROKE KEY SWITCHES

- Features:**
- Compact design
 - Short stroke to latch
 - Wide variety of actuator heights and styles
 - Adapted for medium power applications

- Applications:**
- Automotive (air conditioning, lighting)
 - Video, remote controls
 - Electronic games

For quantities greater than listed, call for quote.

MOUSER STOCK NO.	C&K Part No.	Fig.	Contact Form	Mechanical Function	Total Height	Price Each	
						1	500
611-PVA1EEH1	PVA1EEH1	A	DPST	Push-push	17.5 mm	1.68	1.51
611-PVA2EEH1	PVA2EEH1	A	DPDT	Push-push	17.5 mm	1.64	.96

C&K KS SERIES SINGLE POLE KEY SWITCHES

- Features:**
- Positive tactile feel
 - Variety of cap colors
 - LED support available

For quantities greater than listed, call for quote.

MOUSER STOCK NO.	C&K Part No.	Fig.	Cap Color	Contact Form	Circuit	Total Height	Price Each		
							1	25	50
611-KS11R001	KS11R22CQD	B	Red	SPST-NO	Off-Mom	Silver	1.81	1.44	1.29

C&K 8020 SERIES: SNAP-ACTING MOMENTARY PUSHBUTTON SWITCHES

- Features:**
- Positive tactile feel
 - Epoxy sealed
- Applications:**
- Telecommunication equipment
 - Instrumentation
 - Computer peripherals

For quantities greater than listed, call for quote.

MOUSER STOCK NO.	C&K Part No.	Fig.	Contact Form	Circuit () = Momentary	Contact Material	Price Each			
						1	25	50	100
PC Thru-Hole									
611-8121-222	8121SHCGE	C	SPDT	On-(On)	Gold	8.51	7.62	7.09	6.90
611-8125-222	8125SHCBE	C	SPDT	On-(On)	Gold	5.87	5.26	4.89	4.76
611-U811SH9CGE	U811SH9CGE	D	SPDT	On-(On)	Silver	9.00	8.39	7.98	7.61
Right-Angle PC Thru-Hole									
611-8121-231	8121SD9AGE	E	SPDT	On-(On)	Gold over Silver	8.92	8.64	7.44	7.24
611-8121-290	8121SD9AV2GE	F	SPDT	On-(On)	Gold over Silver	11.13	10.38	9.79	9.12
611-8125-232	8125SD9AV2BE	F	SPDT	On-(On)	Gold	6.42	5.75	5.35	5.21
611-8121SHAV2GE	8121SHAV2GE	G	SPDT	On-(On)	Gold over Silver	9.01	8.58	7.78	7.45
Solder Lug									
611-8121-221	8121SHZGE	H	SPDT	On-(On)	Gold over Silver	8.24	7.42	7.04	6.85
611-8125-231	8125SD9ABE	E	SPDT	On-(On)	Gold	7.72	7.20	6.80	6.34
611-8125-241	8125SHZBE	H	SPDT	On-(On)	Gold	5.96	5.78	5.12	4.88
611-8121-211	8121J81ZGE22	I	SPDT	On-(On)	Gold over Silver	9.59	8.56	7.95	7.52
611-8125-211	8125J81ZBE22	I	SPDT	On-(On)	Gold	6.87	5.95	5.53	5.38
611-8221-211	8221J81ZGE22	I	DPDT	On-(On)	Gold over Silver	16.58	15.46	14.59	13.59
611-8121-211	8121J81ZGE22	H	SPDT	On-(On)	Gold over Nickel	9.59	8.56	7.95	7.52
611-8121-311	8121J83ZGE22	J	SPDT	On-(On)	Gold over Silver	9.59	8.31	7.73	7.52
611-8221J83ZGE22	8221J83ZGE22	K	SPDT	On-(On)	Gold over Silver	12.48	11.75	11.23	10.60
V-Bracket									
611-8121-236	8121SD9V3GE	L	SPDT	On-(On)	Gold over Silver	10.92	10.18	9.60	8.94
611-8125-223	8125SD3V3BE	L	SPDT	On-(On)	Gold	7.35	7.02	6.53	6.19

C&K 8060 SERIES: ALTERNATE ACTION PUSHBUTTON SWITCHES

- Features:**
- Epoxy sealed
 - Long electrical life (50,000 cycles @ full load)
- Applications:**
- Telecommunication equipment
 - Instrumentation
 - Computer peripherals

For quantities greater than listed, call for quote.

MOUSER STOCK NO.	C&K Part No.	Fig.	Contact Form	Circuit () = Momentary	Contact Material	Price Each			
						1	25	50	100
Right-Angle PC Thru-Hole									
611-8168-221	8168SH9ABE2	M	SPDT	On-(On)	Gold	7.45	6.94	6.44	5.50
611-8161SH9ABE2	8161SH9ABE2	M	SPST	On-On	Gold	6.88	6.67	5.98	5.50
611-8161S1H9ABE2	8161S1H9ABE2	M	SPDT	On-On	Gold	6.92	6.46	6.14	5.86
Solder Lug									
611-8161-201	8161SHZQE2	N	SPDT	On-On	Silver	6.09	5.64	5.39	5.10
611-8168-203	8168LHZQE2	N	SPDT	On-(On)	Silver	6.09	5.64	5.39	5.10
611-8168-202	8168SHZQE2	N	SPDT	On-(On)	Gold over Silver	6.54	6.06	5.80	5.48
611-8168-201	8168SHZQE2	N	SPDT	On-(On)	Silver	5.83	5.08	4.78	4.60
611-8261-201	8261SHZQE2	N	DPDT	On-On	Silver	12.57	11.73	11.06	10.30
611-8261S1HZQE2	8261S1HZQE2	N	DPDT	On-On	Black	11.77	10.93	10.43	9.96

C&K 8500 SERIES: SUBMINIATURE PUSHBUTTON SWITCHES

- Features:**
- Reliable contact design
 - Epoxy Sealed
- Applications:**
- Telecommunication equipment
 - Instrumentation
 - Computer peripherals

For quantities greater than listed, call for quote.

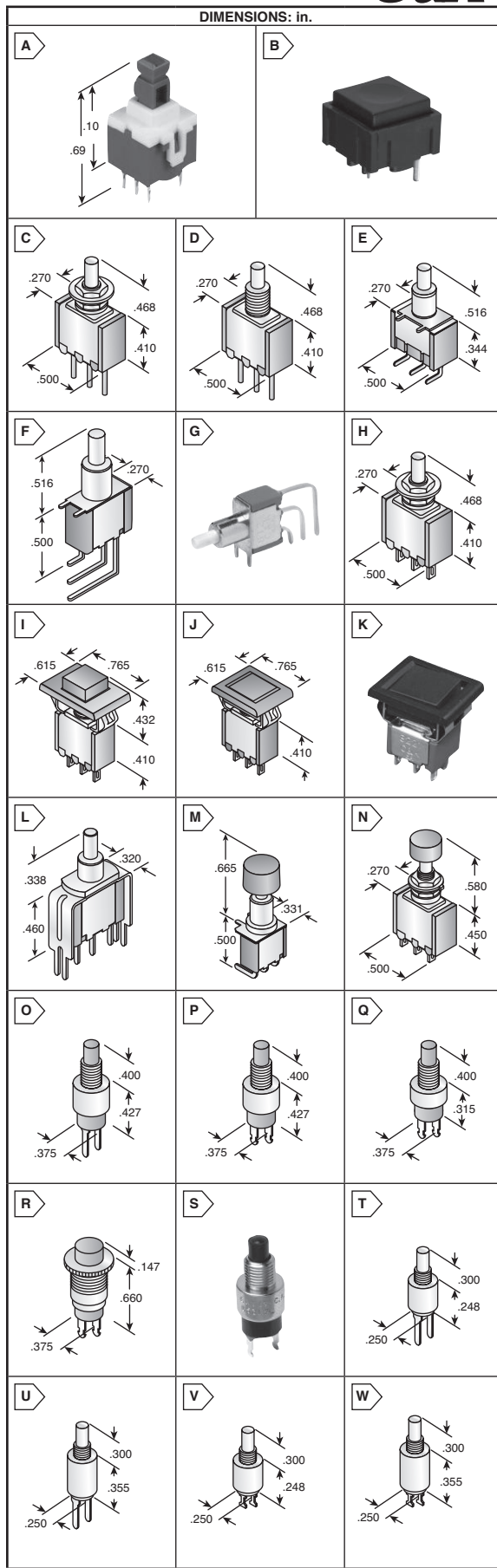
MOUSER STOCK NO.	C&K Part No.	Fig.	Contact Form	Circuit () = Momentary	Contact Material	Price Each			
						1	25	50	100
PC Thru-Hole									
611-8531-251	8531MCQE2	O	SPST	(On)-Off	Silver	5.74	5.35	5.05	4.70
611-8533-251	8533MCQE2	O	SPST	On-(Off)	Silver	7.54	6.03	5.30	4.87
Solder Lug									
611-8531-252	8531MZQE2	P	SPST	(On)-Off	Silver	4.32	4.23	3.71	3.46
611-8531SZQE2	8531SZQE2	Q	SPST	Off-(On)	Silver	4.92	4.55	4.36	4.12
611-8532-252	8532MZQE2	Q	SPST	(On)-Off	Silver	4.92	4.55	4.36	4.12
611-8532T1ZQE2	8532T1ZQE2	M	SPDT	On-On	Gold	5.57	5.15	4.93	4.66
611-8551-252	8551MZQE2	Q	SPST	(On)-Off	Silver	6.65	5.33	4.67	4.29
611-8532-261	8532T1ZBE2	R	SPST	(On)-Off	Gold	5.89	5.26	4.90	4.78
611-8552TQE2	8552TQE2	S	SPST	Off-(On)	Silver	5.57	5.15	4.93	4.66

C&K 8600 SERIES: MICROMINIATURE PUSHBUTTON SWITCHES

- Features:**
- Ideal for applications where space is limited
 - Hardware included: nut, brass or nickel plated

For quantities greater than listed, call for quote.

MOUSER STOCK NO.	C&K Part No.	Fig.	Contact Form	Circuit () = Momentary	Contact Material	Price Each			
						1	25	50	100
PC Thru-Hole									
611-8631-261	8631CQD2	T	SPST	(On)-Off	Silver	6.49	6.04	5.70	5.31
611-8632-261	8632CQD2	U	SPST	(On)-Off	Silver	6.20	5.77	5.45	5.08
Solder Lug									
611-8631-252	8631ZQD2	V	SPST	(On)-Off	Silver	5.20	4.56	4.24	4.12
611-8632ZBD2	8632ZBD2	V	SPST	(On)-Off	Gold	5.50	4.70	4.42	4.12
611-8632-252	8632ZQD2	W	SPST	(On)-Off	Silver	5.20	4.56	4.24	4.12



C&K Pushbutton Switches