

APEM Pushbutton Switches



RoHS Compliant This product is RoHS compliant.

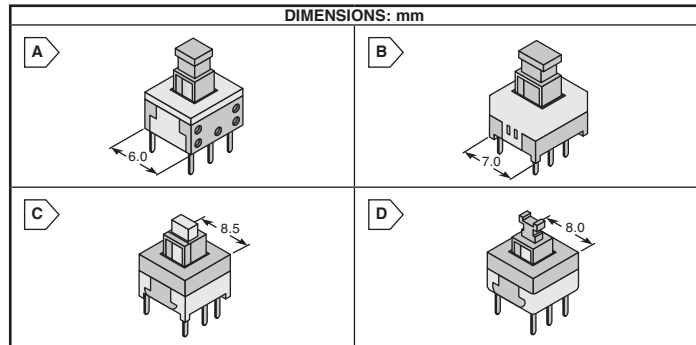
MHPS SERIES MINI KEY PUSHBUTTON SWITCHES

Specifications:

- DPDT
- Maintained action
- Non-shorting contacts
- Contact rating: 100mA # 30VDC
- Dielectric withstanding voltage: 500VAC for 1 minute
- Contact resistance: 100mΩ max.

Materials:

- Case: PBT (model MHPS2266 only -Type 6/6 nylon)
- Cover: Acetal (model MHPS2266 only - Type 6/6 nylon)
- Actuator: Acetal
- Terminals: silver plated brass



For quantities greater than listed, call for quote.

MOUSER STOCK NO.	Apem Part No.	Fig.	Height (mm)	Force (grms)	Price Each			
					1	25	100	500
642-MHPS2266	MHPS2266	A	14	140	.98	.93	.89	.82
642-MHPS2273	MHPS2273	B	16	140	.55	.52	.48	.45
642-MHPS2283	MHPS2283	C	17.5	180	.55	.52	.48	.45
642-MHPS2285	MHPS2285	D	11	180	.55	.52	.48	.45

IZ SERIES SEALED PUSHBUTTON SWITCHES

Specifications:

- Rear mounting for easier installation
- Latching action metals models
- Fixed or variable panel thickness
- Flat actuator for optional marking



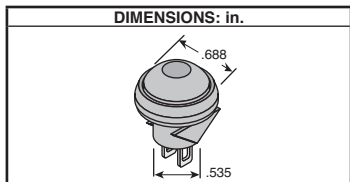
For quantities greater than listed, call for quote.

MOUSER STOCK NO.	Apem Part No.	Function () Momentary	Price Each			
			1	25	100	500
642-IZMP1Z45NLOS	IZMP1Z45NLOS	Off - On	30.40	27.71	25.03	21.45
642-IZNR1S42N	IZNR1S42N	Off-On	30.40	27.71	25.03	21.45
642-IZNR3P422	IZNR3P422	Off-(On)	30.40	27.71	25.03	21.45
642-IZPP1F462	IZPP1F462	Off-On	30.40	27.71	25.03	21.45
642-IZPP3V272	IZPP3V272	Off-(On)	30.40	27.71	25.03	21.45
642-IZPR3P462	IZPR3P462	Off-(On)	30.40	27.71	25.03	21.45
642-IZPR3P422	IZPR3P422	Off-(On)	30.40	27.71	25.03	21.45
642-IZPR3S422	IZPR3S422	Off-(On)	21.86	19.93	18.00	15.43
642-IZPP3S432L0G	IZPP3S432L0G	Off-(On)	30.47	27.71	25.03	21.45
642-IZPR1S462L0S	IZPR1S462L0S	Off-On	30.40	27.71	25.03	21.45

IBR SERIES SEALED MINIATURE PUSHBUTTON SWITCHES

Specifications:

- Contact ratings: 400mA @ 32VAC, 100mA @ 50VAC, or 125mA @ 125VAC
- Operating temp. range: -40°C to +85°C
- Contact resistance: 50mΩ max.
- Solder terminals



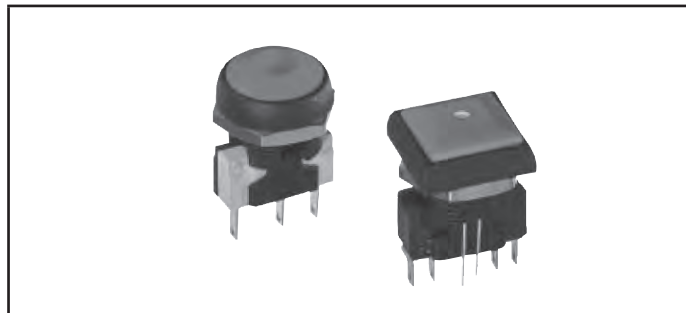
For quantities of 1000 and up, call for quote.

MOUSER STOCK NO.	Apem Part No.	Function () Momentary	Color	Price Each			
				1	25	100	500
642-IBR3SAD2	IBR3SAD2	Off-(On)	Black	9.75	8.93	7.50	6.92
642-IBR3SAD3	IBR3SAD3	Off-(On)	Green	9.47	8.67	7.28	6.72
642-IBR3SAD5	IBR3SAD5	Off-(On)	Yellow	9.47	8.67	7.28	6.72
642-IBR3SAD6	IBR3SAD6	Off-(On)	Red	9.47	8.67	7.28	6.72

IRR SERIES SEALED PUSHBUTTON SWITCHES

Specifications:

- Screw version up to 4A
- Tactile feedback
- Sealed to IP67
- Illuminated or non-illuminated
- Flat round actuator for optional marking



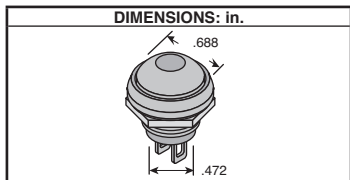
For quantities greater than listed, call for quote.

MOUSER STOCK NO.	Apem Part No.	Function () Momentary	Price Each			
			1	25	100	500
642-IRR1S422L0S	IRR1S422L0S	On-Off	37.47	34.16	30.85	26.44
642-IRR3S422000	IRR3S422000	Off-(On)	19.05	16.13	15.65	13.75
642-IRR3S422L0S	IRR3S422L0S	Off-(On)	45.01	41.03	37.06	31.76
642-IRR3V222000	IRR3V222000	Off-(On)	29.85	27.21	24.58	21.06
642-IRR3F422000	IRR3F422000	Off-(On)	26.25	23.93	21.61	18.52
642-IRR3F462000	IRR3F462000	Off-(On)	26.25	23.93	21.61	18.52
642-IRR3V262000	IRR3V262000	Off-(On)	29.85	27.21	24.58	21.07
642-IRR7Z232L0G	IRR7Z232L0G	Off-(On)	46.50	42.40	38.29	32.82
642-IRR8Z222000	IRR8Z222000	On-Mom	32.88	29.97	27.07	23.20
642-IRR8Z222L0S	IRR8Z222L0S	On-Mom	30.40	27.71	25.03	21.45
642-IRR3F4B2	IRR3F4B2	Off-(On)	26.25	23.93	21.61	18.52

ISR SERIES SEALED MINIATURE PUSHBUTTON SWITCHES

Specifications:

- Contact ratings: 400mA @ 32VAC, 100mA @ 50VAC, or 125mA @ 125VAC
- Operating temp. range: -40°C to +85°C
- Contact resistance: 50mΩ max.
- Solder terminals



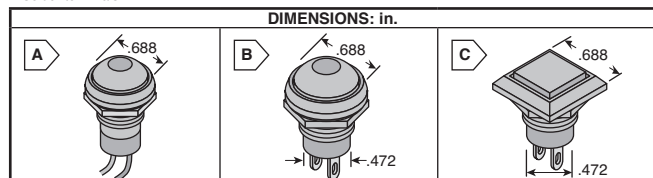
For quantities greater than listed, call for quote.

MOUSER STOCK NO.	Apem Part No.	Function () Momentary	Color	Price Each			
				1	25	100	500
642-ISR3SAD2	ISR3SAD2	Off-(On)	Black	10.34	9.42	7.90	7.29
642-ISR3SAD3	ISR3SAD3	Off-(On)	Green	11.18	10.19	8.54	7.57
642-ISR3SAD5	ISR3SAD5	Off-(On)	Yellow	10.85	9.89	8.29	7.35
642-ISR3SAD6	ISR3SAD6	Off-(On)	Red	10.34	9.42	7.90	7.29

IPR SERIES PUSHBUTTON SWITCHES FOR HARSH ENVIRONMENTS

Specifications:

- Contact ratings: 500mA@48VAC, 200mA@50VAC, or 200mA@250VAC
- Operating temp. range: -40°C to +125°C
- Contact resistance: 50 mΩ max.
- Solder terminals



For quantities greater than listed, call for quote.

MOUSER STOCK NO.	Apem Part No.	Fig.	Function () Momentary	Color	Price Each			
					1	25	100	500
642-IPR3FAD3	IPR3FAD3	A	Off-(On)	Green	18.29	16.67	13.98	12.91
642-IPR3FAD7/1	IPR3FAD7/1	A	Off-(On)	White	25.93	20.74	19.70	17.63
642-IPR3FAD2LOS	IPR3FAD2LOS	B	Off-(On)	Black/Red LED	26.83	21.46	20.39	18.24
642-IPR3FAD2LOG	IPR3FAD2LOG	B	Off-(On)	Black/Green LED	26.83	21.46	20.39	18.24
642-IPR3SAD2	IPR3SAD2	B	Off-(On)	Black	14.82	12.51	11.33	10.46
642-IPR3SAD3	IPR3SAD3	B	Off-(On)	Green	14.82	12.51	11.33	10.46
642-IPR3SAD5	IPR3SAD5	B	Off-(On)	Yellow	15.27	13.91	11.67	10.77
642-IPR3SAD6	IPR3SAD6	B	Off-(On)	Red	17.95	16.38	14.81	12.65
642-IPC3SAD3	IPC3SAD3	C	Off-(On)	Green	15.88	14.48	12.14	11.21
642-IPC3SAD5	IPC3SAD5	C	Off-(On)	Yellow	21.85	18.81	17.32	14.93
642-IPC3SAD6	IPC3SAD6	C	Off-(On)	Red	15.34	13.99	11.73	10.83
642-IPC3SAD9	IPC3SAD9	C	Off-(On)	Orange	21.89	18.84	17.36	14.96