

ALCOSWITCH Pushbutton Switches



BLUE SERIES PUSHBUTTON SWITCHES

- Features:**
- Miniature snap acting pushbutton
 - Tactile and audible feedback
 - Wire lug or PC board terminals
 - Single Pole - Double Throw Configuration (Pole-Throw)
 - Contact Rating = 0.4VA

- Applications:**
- Industrial equipment
 - Medical equipment
 - Instrumentation
 - Communication equipment
 - Control equipment



For quantities greater than listed, call for quote.

MOUSER STOCK NO.	TE Part No.	Fig.	Contact Form	Switch Function	Terminal	Price Each		
						1	25	50
506-MPS1004D	MPS1004D	A	SPDT	On/On	Wire Lug	19.90	18.08	16.04
506-MPS1004F	MPS1004F	A	SPDT	On/(On)	Wire Lug	17.76	16.13	14.31
506-MPS1004DPC	MPS1004DPC	A	SPDT	On/On	PC	17.76	16.13	14.31
506-MPS1004FPC	MPS1004FPC	A	SPDT	On/(On)	PC	19.90	18.08	16.04

MSP3/MSPS SERIES: PANEL MOUNT PUSHBUTTON SWITCHES

- Specifications:**
- Actuator material: Thermoplastic
 - Contact material: Silver plate over copper alloy
 - Terminal material: Silver plate
 - Case material: Thermoplastic
 - Contact rating: MSP = 3A @ 125 VAC; MSPS = 0.5A @ 125VAC
 - Operating force: Single pole = 7-14oz. Double pole = 14-25oz.
 - Contact timing: Break-before-make
 - Contact resistance: 100mΩ max.

For quantities greater than listed, call for quote.

MOUSER STOCK NO.	Alcoswitch Part No.	Fig.	Contact Form	Switch Function	Cap Color	Price Each		
						1	25	50
506-MSP103B04	MSP103B04	B	SPST	Normally Closed	Black	6.63	5.34	5.13
506-MSP103C004	MSP103C004	B	SPST	Normally Open	Black	6.60	5.31	5.10
506-MSPS103B	MSPS103B	C	SPST	Normally Closed	Black	2.74	2.20	2.12
506-MSPS103C	MSPS103C	C	SPST	Normally Open	Red	3.64	2.93	2.66
506-MSPS103C0	MSPS103C0	C	SPST	Normally Open	Black	2.54	2.05	1.97

MSPM SERIES: HERMETICALLY SEALED PUSHBUTTON SWITCHES

- Specifications:**
- Actuator material: Polyamide
 - Contact material: Gold
 - Case material: Steel
 - Contact rating: 1.0VA
 - Operating force: 4-7oz.
 - Life expectancy: 5 million cycles @ 0.1VA
 - Contact resistance: 100mΩ max.

For quantities greater than listed, call for quote.

MOUSER STOCK NO.	Alcoswitch Part No.	Fig.	Contact Form	Switch Function	Cap Color	Mount Type	Price Each		
							1	25	50
506-MSPM101C104	MSPM101C104	D	SPST	Normally Open	Red	Lug	34.76	29.88	27.44
506-MSPM101C204	MSPM101C204	E	SPST	Normally Open	Red	Pin	39.41	33.87	31.10

Accessories for MSPM

For quantities greater than listed, call for quote.

MOUSER STOCK NO.	Alcoswitch Part No.	Fig.	Description	Price Each		
				1	25	50
506-BP1440004	BP1440004	F	Black 1/4-40 boot seal for MSPM	5.58	4.50	4.31
506-BPA1440004	BPA1440004	G	Black 1/4-40 boot seal for MSPM	5.13	4.13	3.97
506-1825618-1	1825618-1	H	Black 1/4-40 seal adapter for MSPM	8.32	6.70	6.43
506-C22004	C22004	I	Black snapfit cap for MSPM	.61	.507	.475
506-C23004	C23004	J	Black snapfit cap for MSPM	1.53	1.26	1.19
506-C23204	C23204	J	Red snapfit cap for MSPM	1.27	1.13	1.02
506-C23504	C23504	J	Green snapfit cap for MSPM	1.48	1.22	1.16
506-G12A	G12A	K	Clear aluminum plain finish button guard for C220	2.68	2.22	2.13
506-G12B	G12B	K	Black aluminum plain finish button guard for C220	2.09	1.71	1.64
506-G12KA	G12KA	L	Clear aluminum knurled finish button guard for C220	1.33	1.07	1.03
506-G12KB	G12KB	L	Black aluminum knurled finish button guard for C220	1.89	1.52	1.46

TP SERIES: TINY PUSHBUTTON SWITCHES

- Specifications:**
- Actuator material: Nylon
 - Contact material: Gold over nickel barrier
 - Terminal material: Tin lead plate
 - Terminal seal: Epoxy
 - Operating force: 50-400 grams
 - Contact rating: 0.4VA @ 20VDC
 - Contact timing: Break-before-make
 - Contact resistance: 20mΩ max.
 - Case: LCP, black UL94V-0

PC Mount

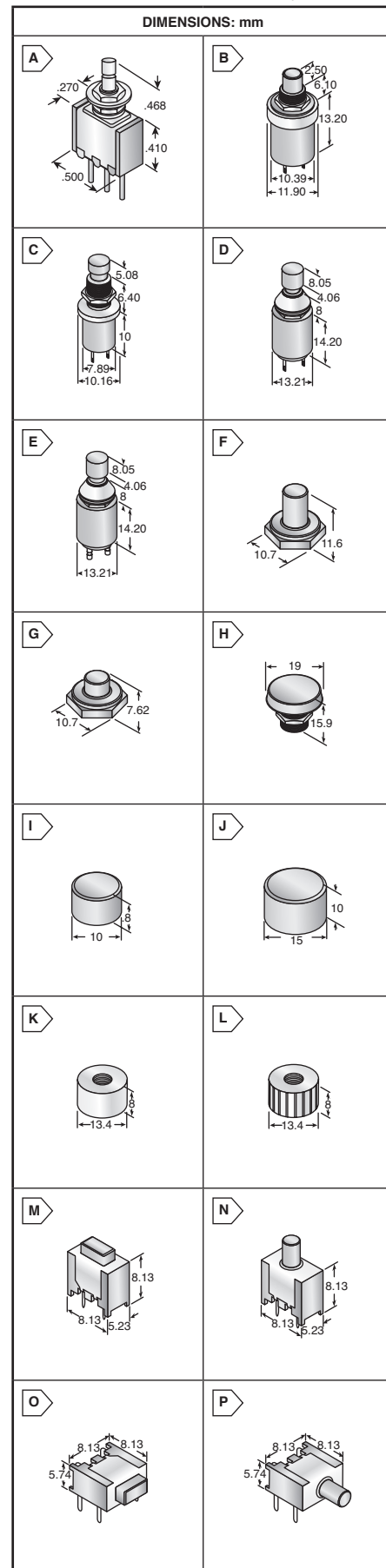
For quantities greater than listed, call for quote.

MOUSER STOCK NO.	Alcoswitch Part No.	Fig.	Contact Form	Actuator Type/Color	Price Each		
					1	25	50
506-TP11CGPC004	TP11CGPC004	M	SPST N.O. Mom	Square/Black	3.76	3.01	2.89
506-TP11CGPC204	TP11CGPC204	M	SPST N.O. Mom	Square/Red	7.11	5.84	5.60
506-TPA11CGPC004	TPA11CGPC004	N	SPST N.O. Mom	Round/Black	5.26	4.34	4.15
506-TPA11CGPC204	TPA11CGPC204	N	SPST N.O. Mom	Round/Red	4.28	3.44	3.29

Right Angle Mount

For quantities greater than listed, call for quote.

MOUSER STOCK NO.	Alcoswitch Part No.	Fig.	Contact Form	Actuator Type/Color	Price Each		
					1	25	50
506-TP11CGRA004	TP11CGRA004	O	SPST N.O. Mom	Square/Black	6.56	5.41	5.17
506-TP11CGRA204	TP11CGRA204	O	SPST N.O. Mom	Square/Red	7.50	6.44	5.91
506-TPA11CGRA204	TPA11CGRA204	P	SPST N.O. Mom	Round/Red	4.55	3.66	3.51
506-TPA11CGRA004	TPA11CGRA004	P	SPST N.O. Mom	Round/Black	7.75	6.66	6.12



TE Connectivity Pushbutton Switches