

# Encoders

RoHS Compliant This product is RoHS compliant.

## ROTARY ENCODERS

### ALPHA

#### RE701 Series: 7mm Metal Shaft Rotary Encoders

• Contact Resistance: 100Ω Max • Rotational Life: 50,000 cycles

For quantities greater than listed, call for quote.

MOUSER STOCK NO.	Alpha Part No.	Fig.	Rating	No. of Pulses	No. of Detents	Push-on Switch	Price Each			
							1	25	50	100
318-ENC70121F-10PS	RE701F-21B1-15F-10P-601	A	1mA/5VDC	10	20	Yes	4.40	3.67	3.34	3.04
318-ENC70120F-10P	RE701F-20B1-15F-10P-601	B	1mA/5VDC	10	20	No	3.83	3.19	2.90	2.64

#### RE111 Series: 11mm Metal Shaft Rotary Encoders

• Rating: 10mA/5VDC (1mA Min.) • Insulation Resistance: 300VDC 100MΩ min.

For quantities greater than listed, call for quote.

MOUSER STOCK NO.	Alpha Part No.	Fig.	Rating	No. of Pulses	No. of Detents	Push-on Switch	Price Each			
							1	25	50	100
318-ENC111F-20P	RE111F-20B3-20F-20P	C	30~200gf.cm	20	20	No	2.59	2.16	1.96	1.78

#### RE11 Series: 11mm Metal Shaft Rotary Encoders

• Rating: 10mA/5VDC (1mA Min.) • Contact Resistance: 100Ω Max. • Shaft Push-Pull Strength: 10kgf • Rotational Life: 15,000 cycles

\*Self-Return Type

For quantities greater than listed, call for quote.

MOUSER STOCK NO.	Alpha Part No.	Fig.	Dim. (mm)		No. of Pulses	No. of Detents	Push-on Switch	Price Each			
			L	F				1	25	50	100
318-ENC1110F-15P	RE111F-40B1N-10F-15P	D	10	3.7	15	30	No	2.71	2.26	2.05	1.86
318-ENC1112F-15PS	RE111F-41B1N-12F-15P	D	12	5.0	15	30	Yes	3.16	2.63	2.39	2.17
*318-ENC1120F-15PS	RE111RF-41B3N-20F-0P	E	-	-	-	-	Yes	3.60	3.00	2.73	2.48

#### RE130 Series: 12mm Insulated Shaft Rotary Encoders

• Insulation Resistance: 50VDC 10MΩ min • Rotational Life: 30,000 cycles

For quantities greater than listed, call for quote.

MOUSER STOCK NO.	Alpha Part No.	Fig.	Rating	No. of Pulses	No. of Detents	Push-on Switch	Price Each			
							1	25	50	100
318-ENC13020F-12P	RE130F-40E2-20F-12P	F	1mA/10VDC	12	12	No	1.88	1.57	1.43	1.30
318-ENC13015F-12P	RE130F-40E3-15F-12P-26	G	1mA/10VDC	12	12	No	2.29	1.91	1.74	1.40
318-ENC130175F-12PS	RE130F-41-175F-12P	H	1mA/10VDC	12	12	Yes	2.29	1.91	1.74	1.40

#### RE160 Series: 16mm Insulated Shaft Rotary Encoder

• Insulation Resistance: 50VDC 10MΩ min • Rotational Life: 50,000 cycles

For quantities greater than listed, call for quote.

MOUSER STOCK NO.	Alpha Part No.	Fig.	Rating	No. of Pulses	No. of Detents	Push-on Switch	1	25	50	100
318-ENC160F-24P	RE160F-40E3-20A-24P	I	0.5mA/5VDC	24	24	No	2.59	2.16	1.96	1.78

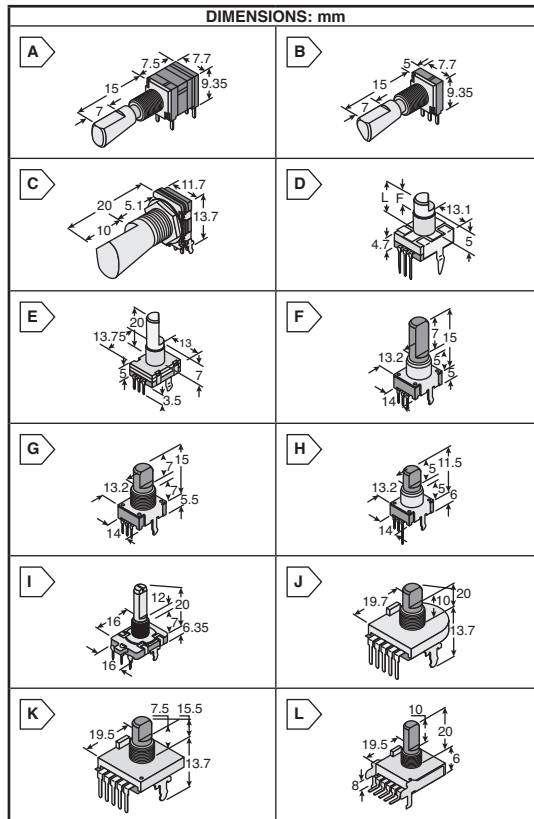
#### RE200 Series: 20mm Gray and Binary Coded Rotary Encoders

• Insulation Resistance: 100±10VDC 10MΩ min • Rotational Life: 50,000±2500 cycles

• Rotational Torque: 50~350gf.cm

For quantities greater than listed, call for quote.

MOUSER STOCK NO.	Alpha Part No.	Fig.	Rating	No. of Detents	Output Code	Price Each			
						1	25	50	100
318-ENC200120F-4B	RE2001F-40E2-20F-4B	J	10mA/10VDC	16	Binary	4.40	3.67	3.34	3.04
318-ENC200155F-4G	RE200F-40E2-155F-4G	K	10mA/10VDC	16	Gray	4.40	3.67	3.34	3.04
318-ENC20020F-4B	RE200F-20E2-20F-4B	L	10mA/10VDC	16	Binary	4.40	3.67	3.34	3.04



## C&K TSW SERIES: 3 OR 7 FUNCTION TACT AND SCROLL WHEEL

### Features/Benefits:

- Compact and slim
- Multiple function in one component (rotary, select)
- Easy installation
- Through hole termination
- Integrated decoration (B type)

### Typical Applications:

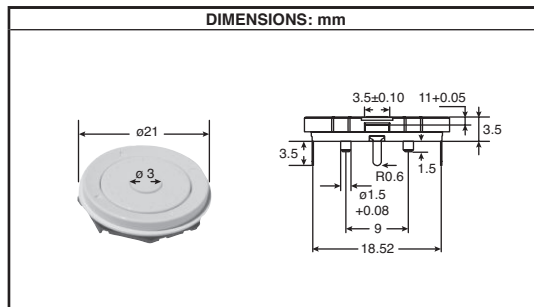
- Remote controls
- Desk phones
- Keyboards
- Printers
- Entertainment systems
- White goods



RoHS Compliant

For quantities greater than listed, call for quote.

MOUSER STOCK NO.	C&K Part No.	No. of Circuits	Actuation Force	Push Act. Force	Price Each				
					1	25	50	100	250
611-TSWA-3N-C-LFS	TSW A-3N-C-LFS	3	Max. 60gf - cm	220g±50g	1.98	1.88	1.78	1.70	1.53
611-TSWA-3N-CB11LFS	TSW A-3N-CB11LFS	3	Max. 60gf - cm	220g±50g	3.46	3.32	3.03	1.70	1.53
611-TSWA-3N-CD23LFS	TSW A-3N-CD23 LFS	3	Max. 60gf - cm	220g±50g	3.58	3.22	3.10	1.70	1.53
611-TSWB-3N-C-LFS	TSW B-3N-C-LFS	5	Max. 50gf - cm	Max 300g	8.56	7.40	6.73	6.12	5.56
611-TSWB-3N-CB222LFS	TSW B-3N-CB222 LFS	5	Max. 50gf - cm	Max 300g	6.42	6.04	5.59	6.12	5.56

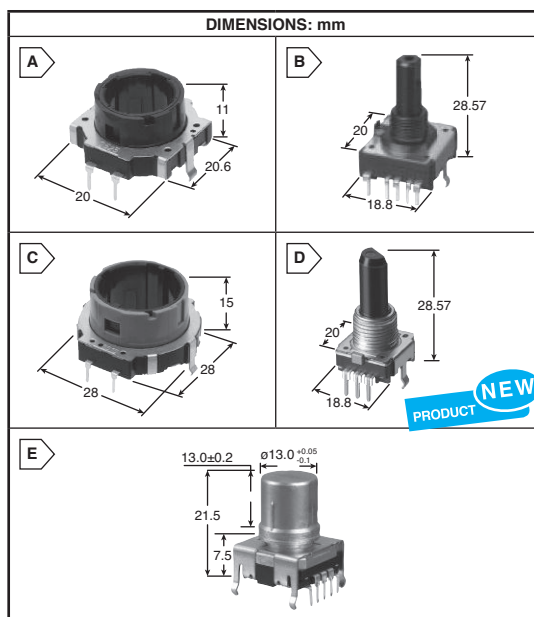


## Panasonic Electronic Components

### EVQ/EVE 12MM/16MM SQUARE ENCODERS

For quantities greater than listed, call for quote.

MOUSER STOCK NO.	Panasonic Part No.	Fig.	Rating	No. of Detents	Output Code	Price Each				
						1	25	100	250	
<b>20/12mm Center Space Encoders</b>										
667-EVQ-V6A00609B	EVQ-V6A00609B	A	1mA/10Vdc	18 points	11mN-m, 18mN-m	3.13	2.41	2.19	1.99	
667-EVQ-V6B00909B	EVQ-V6B00909B	A	1mA/10Vdc	18 points	11mN-m, 18mN-m	3.13	2.41	2.19	1.99	
<b>18mm Square Encoders</b>										
667-EVQ-V9C00116E	EVQ-V9C00116E	B	1mA/10Vdc	16 points	50±20mN-m	3.13	2.41	2.19	1.99	
<b>27/18mm Center Space Encoders</b>										
667-EVQ-V5C00315B	EVQ-V5C00315B	C	1mA/10Vdc	30 points	18 mN-m	3.61	2.78	2.53	2.30	
667-EVQ-V5D00309B	EVQ-V5D00309B	C	1mA/10Vdc	18 points	9 mN-m	3.61	2.78	2.53	2.30	
667-EVQ-V5B00215B	EVQ-V5B00215B	C	1mA/10Vdc	30 points	18 mN-m	3.61	2.78	2.53	2.30	
667-EVQ-V5H00415B	EVQ-V5H00415B	C	1mA/10Vdc	30 points	18 mN-m	3.61	2.78	2.53	2.30	
<b>12mm Square GS Encoders</b>										
667-EVE-GC2F2524M	EVE-GC2F2524M	D	1mA/5Vdc	24 points	3mN-m to 20mN-m	1.13	.871	.792	.72	
667-EVE-KD2F3024M	EVE-KD2F3024M	D	1mA/5Vdc	24 points	3mN-m to 20mN-m	1.13	.871	.792	.72	
667-EVE-GA1F1724M	EVE-GA1F1724M	D	1mA/5Vdc, 1mA/10Vdc	24	25mN-m max.	.58	.49	.47	.43	
667-EVEGA1F2012M	EVEGA1F2012M	D	1mA/5 Vdc, 1mA/10Vdc	12	26mN-m max.	.58	.49	.47	.43	
667-EVEGA1F2024M	EVEGA1F2024M	D	1mA/5Vdc, 1mA/10Vdc	24	27mN-m max.	.58	.49	.47	.43	
667-EVEGB1F1524M	EVEGB1F1524M	D	1mA/5Vdc, 1mA/10Vdc	24	28mN-m max.	.58	.49	.47	.43	
667-EVEGC1F2012M	EVEGC1F2012M	D	1mA/5Vdc, 1mA/10Vdc	12	29mN-m max.	.64	.54	.51	.43	
667-EVEGC1F2024M	EVEGC1F2024M	D	1mA/5Vdc, 1mA/10Vdc	24	30mN-m max.	.64	.54	.51	.43	
667-EVEGC1F2524M	EVEGC1F2524M	D	1mA/5Vdc, 1mA/10Vdc	24	31mN-m max.	.64	.54	.51	.43	
<b>16mm Square Encoders</b>										
667-EVE-QDBRG516B	EVE-QDBRG516B	E	1mA/10Vdc	32	3mN-m to 20mN-m	6.96	6.09	5.51	4.93	



NEW PRODUCT