

# Detection Switches

RoHS Compliant This product is RoHS compliant.

## ALPS COMPACT TWO-WAY DETECTOR SWITCH

- Features:**
- Right and left detection
  - Double-sided sliding contact
- Specifications:**
- Rating: 1mA @ 5VDC
  - Operating force: 350gf
- Applications:**
- For switching modes and zoom operation of cameras
  - Detection mechanism in DVD players, digital camcorders
- RoHS Compliant

For quantities greater than listed, call for quote.

MOUSER STOCK NO.	Alps Part No.	Fig.	ON Start Position	Location Lug	Price Each				Pkg. Qty.	Price Per Piece
					1	50	100	500		
688-SSCM120100	SSCM120100	A	3.58mm	Without	1.27	1.09	.91	.82	3000	.56

## ALPS LOW-PROFILE DETECTOR SWITCH

- Features:**
- Circuit: 1 pole 1 position
- Specifications:**
- Rating: 10mA @ 16VDC
  - Operating force: 85gf
  - ON/OFF Start Position: 5.4mm
- Applications:**
- Detection mechanism in car navigation systems and car audio systems
- RoHS Compliant

For quantities greater than listed, call for quote.

MOUSER STOCK NO.	Alps Part No.	Fig.	Total Travel Position	Circuit Arrangement	Price Each			
					1	50	100	500
688-SPVC110300	SPVC110300	B	2.0mm	Push ON	.87	.64	.38	.36

## ALPS COMPACT LONG LIFE DETECTOR SWITCHES

- Features:**
- SMD types are reflow solderable, on tape and reel
- Specifications:**
- Rating: 100mA @ 12VDC
  - Operating force: 35gf
- Applications:**
- Detection of insertion of media such as DVDs, CDs
- RoHS Compliant

For quantities greater than listed, call for quote.

MOUSER STOCK NO.	Alps Part No.	Fig.	ON Starting Position	Total Travel Position	Price Each				Reel Qty.	Price Per Piece
					1	50	100	500		
<b>SMD Mount - Vertical Operating Direction</b>										
688-SPPB530601	SPPB530601	C	8.05mm	6.10mm	.67	.57	.52	.24	1500	.23
<b>SMD Mount - Horizontal Operating Direction</b>										
688-SPPB530701	SPPB530701	D	8.05mm	6.10mm	.67	.57	.53	.51	1500	.47
688-SPPB630101	SPPB630101	E	3.70mm	1.70mm	.67	.57	.52	.46	1300	.44
688-SPPB640201	SPPB640201	F	3.70mm	1.70mm	.67	.57	.52	.48	1300	.36
<b>PCB Mount - Vertical Operating Direction</b>										
688-SPPB512300	SPPB512300	G	8.05mm	6.10mm	.67	.57	.32	.25	4000	.185

## ALPS TWO-WAY DETECTOR SWITCHES

- Features:**
- Long ON travel
  - Detection in both right and left directions
- Specifications:**
- Rating: 100mA @ 12VDC
  - Operating force: 70gf
- Applications:**
- Detection of trays in DVD players, CD-ROM drives, photo copiers, etc.
- RoHS Compliant

For quantities greater than listed, call for quote.

MOUSER STOCK NO.	Alps Part No.	Fig.	Mounting Style	Terminal Style	Price Each			
					1	50	100	500
688-SSCF110100	SSCF110100	H	PCB	Snap-in	1.30	1.16	.97	.90
688-SSCF210100	SSCF210100	I	Screw	Snap-in	1.05	.95	.78	.74
688-SSCF310100	SSCF310100	J	PCB with hook	Snap-in	1.28	1.16	.955	.906
688-SSCF210300	SSCF210300	K	Screw	Solder/leads	1.05	.95	.78	.74

## ALPS TWO-WAY DETECTOR SWITCH

- Features:**
- Can be pressed either horizontally or vertically for detection
- Specifications:**
- Rating: 100mA @ 12VDC
  - Operating force: 30.6gf
- Applications:**
- Detection of trays in DVD players, CD-ROM drives, photo copiers, etc.
- RoHS Compliant

For quantities greater than listed, call for quote.

MOUSER STOCK NO.	Alps Part No.	Fig.	ON Starting Position	Total Travel Position	Price Each			
					1	50	100	500
688-SPVF140100	SPVF140100	L	9.95mm	7.80mm	.61	.45	.41	.31

## G&K DS SERIES: SUB-MINIATURE DETECTOR SWITCHES

PRODUCT NEW



For quantities greater than listed, call for quote.

MOUSER STOCK NO.	C&K Part No.	Fig.	Contact Rating	Operating Force	Price Each			
					1	25	100	250
611-DS-0200530	DS-02005	M	0.1 Amp. @ 30VDC	30gf	.86	.78	.74	.64
611-DS-040-02	DS-040-02	N	0.1 Amp. @ 16VDC	30gf	.66	.52	.48	.42
611-DS-080-CPA	DS-080-C PA	O	0.1 Amp. @ 16VDC	30gf	.66	.59	.55	.47
611-DS-180RT	DS-180 RT	P	0.001 Amp. @ 5VDC	60gf	1.06	.96	.91	.80

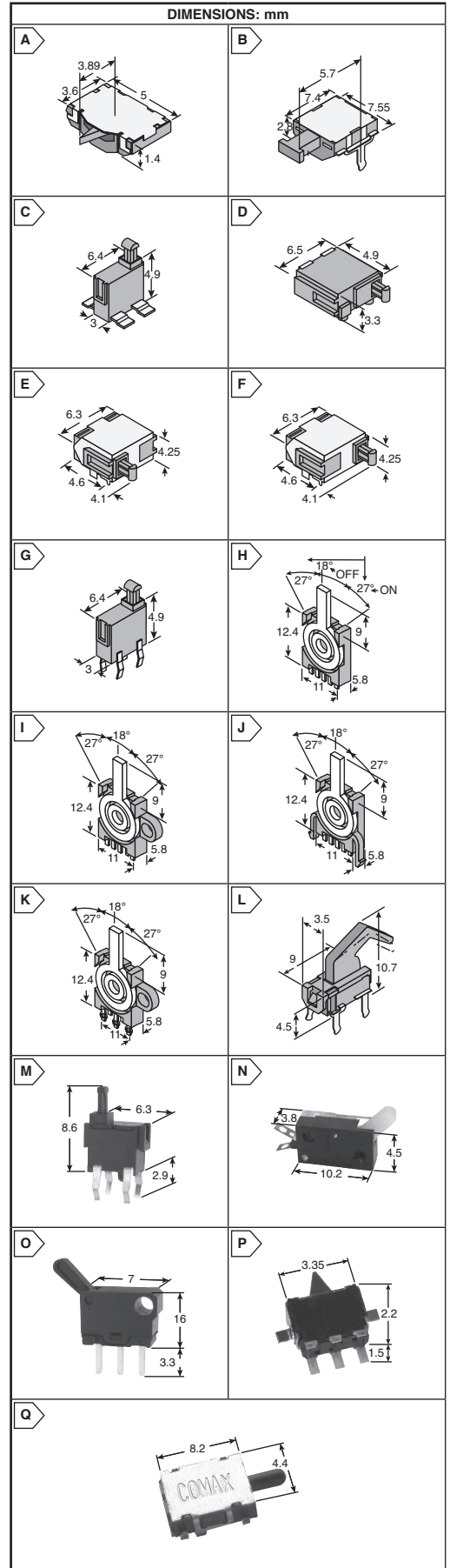
## Panasonic Electronic Components ESE16 SERIES: DETECTOR SWITCH

- Specifications:**
- Rating: 50µA 3Vdc to 10mA 5Vdc (Resistive load)

PRODUCT NEW

For quantities greater than listed, call for quote.

MOUSER STOCK NO.	Panasonic Part No.	Fig.	Operating Force	Mounting "H"	On Starting Position	Full Travel	Price Each			
							1	25	100	500
1VR										
667-ESE-16J001	ESE-16J001	Q	250Mn	1.5mm	2.2mm	1.5mm	.95	.874	.798	.684



Detection Switches