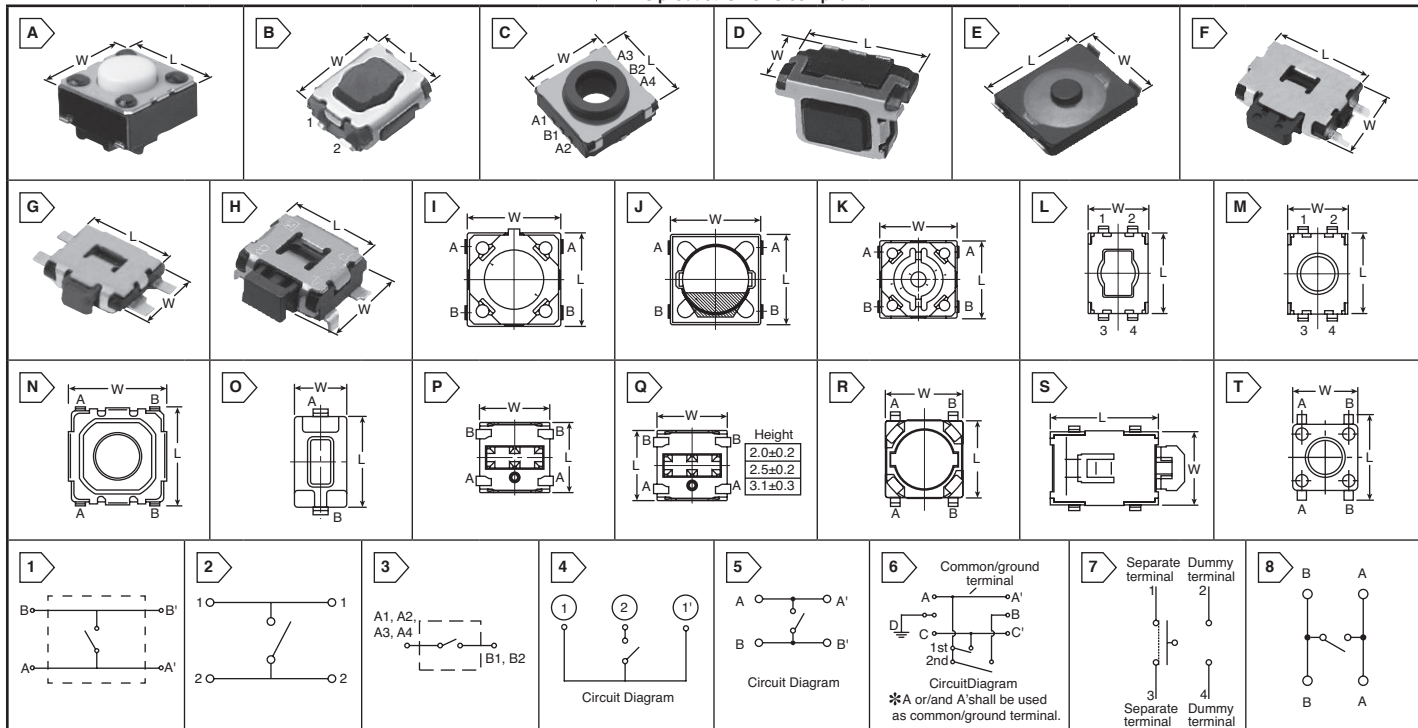


# PANASONIC Tactile Switches

# Panasonic

RoHS Compliant This product is RoHS compliant.



## SMD LIGHT TOUCH SWITCHES

PRODUCT NEW

For quantities greater than listed, call for quote.

MOUSER STOCK NO.	Panasonic Part No.	Fig.	Dimensions: mm			Operating Force	Travel (mm)	Price Each	
			L	W	H			1	25
667-EVQ-Q2201W	EVQ-Q2201W	A1	6.5	6.0	2.5	1.0N	0.3	.25	.231
667-EVQ-Q2202W	EVQ-Q2202W	A1	6.5	6.0	2.5	3.5N	0.25	.25	.231
667-EVQ-Q2203W	EVQ-Q2203W	A1	6.5	6.0	3.1	3.5N	0.25	.25	.231
667-EVQ-Q2B01W	EVQ-Q2B01W	A1	6.5	6.0	2.0	0.5N	0.2	.25	.231
667-EVQ-Q2B02W	EVQ-Q2B02W	A1	6.5	6.0	2.5	0.5N	0.2	.25	.231
667-EVQ-Q2D01W	EVQ-Q2D01W	A1	6.5	6.0	2.5	0.5N	0.2	.25	.231
667-EVQ-Q2D02W	EVQ-Q2D02W	A1	6.5	6.0	2.5	0.5N	0.2	.25	.231
667-EVQ-Q2D03W	EVQ-Q2D03W	A1	6.5	6.0	3.1	0.5N	0.2	.25	.231
667-EVQ-Q2F01W	EVQ-Q2F01W	A1	6.5	6.0	2.0	1.0N	0.3	.25	.231
667-EVQ-Q2F02W	EVQ-Q2F02W	A1	6.5	6.0	2.5	1.0N	0.3	.25	.231
667-EVQ-Q2F03W	EVQ-Q2F03W	A1	6.5	6.0	3.1	1.0N	0.3	.25	.231
667-EVQ-Q2H01W	EVQ-Q2H01W	A1	6.5	6.0	2.0	1.0N	0.3	.25	.231
667-EVQ-Q2H02W	EVQ-Q2H02W	A1	6.5	6.0	2.5	1.0N	0.3	.25	.231
667-EVQ-Q2H03W	EVQ-Q2H03W	A1	6.5	6.0	3.1	1.0N	0.3	.25	.231
667-EVQ-Q2K01W	EVQ-Q2K01W	A1	6.5	6.0	2.0	1.3N	0.25	.25	.231
667-EVQ-Q2K02W	EVQ-Q2K02W	A1	6.5	6.0	2.5	1.3N	0.25	.25	.231
667-EVQ-Q2M01W	EVQ-Q2M01W	A1	6.5	6.0	2.0	1.3N	0.25	.25	.231
667-EVQ-Q2M02W	EVQ-Q2M02W	A1	6.5	6.0	2.5	1.3N	0.25	.25	.231
667-EVQ-Q2M03W	EVQ-Q2M03W	A1	6.5	6.0	3.1	1.3N	0.25	.25	.231
667-EVQ-Q2P01W	EVQ-Q2P01W	A1	6.5	6.0	2.0	1.6N	0.25	.25	.231
667-EVQ-Q2S01W	EVQ-Q2S01W	A1	6.5	6.0	2.0	1.6N	0.25	.25	.231
667-EVQ-Q2S02W	EVQ-Q2S02W	A1	6.5	6.0	2.5	1.6N	0.25	.25	.231
667-EVQ-Q2S03W	EVQ-Q2S03W	A1	6.5	6.0	3.1	1.6N	0.25	.25	.231
667-EVQ-Q2U01W	EVQ-Q2U01W	A1	6.5	6.0	2.0	2.6N	0.25	.25	.231
667-EVQ-Q2U02W	EVQ-Q2U02W	A1	6.5	6.0	2.5	2.6N	0.25	.25	.231
667-EVQ-Q2W01W	EVQ-Q2W01W	A1	6.5	6.0	2.0	2.6N	0.25	.25	.231
667-EVQ-Q2W02W	EVQ-Q2W02W	A1	6.5	6.0	2.5	2.6N	0.25	.25	.231
667-EVQ-Q2W03W	EVQ-Q2W03W	A1	6.5	6.0	3.1	2.6N	0.25	.25	.231
667-EVQ-Q2Y01W	EVQ-Q2Y01W	A1	6.5	6.0	2.0	3.5N	0.25	.25	.231
667-EVQ-Q2Y02W	EVQ-Q2Y02W	A1	6.5	6.0	2.5	3.5N	0.25	.25	.231

## LIGHT TOUCH TACTILE SWITCHES

PRODUCT NEW

For quantities greater than listed, call for quote.

MOUSER STOCK NO.	Panasonic Part No.	Fig.	Dimensions: mm			Operating Force	Travel (mm)	Price Each	
			L	W	H			1	25
667-EVP-AA002K	EVP-AA002K	B2	3.5	2.9	1.7	1.0N	0.15±0.1	.85	.653
667-EVP-AA102K	EVP-AA102K	B2	3.5	2.9	1.7	1.0N	0.15±0.1	.99	.799
667-EVP-AA202K	EVP-AA202K	B2	3.5	2.9	1.7	1.6N	0.15±0.1	.85	.653
667-EVP-AA302K	EVP-AA302K	B2	3.5	2.9	1.7	1.6N	0.15±0.1	.99	.799
667-EVP-AA402W	EVP-AA402W	B2	3.5	2.9	1.7	2.4N	0.15±0.1	.85	.653
667-EVP-AA502W	EVP-AA502W	B2	3.5	2.9	1.7	2.4N	0.15±0.1	.99	.799
667-EVP-AA602W	EVP-AA602W	B2	3.5	2.9	1.7	3.5N	0.15±0.1	.85	.653
667-EVP-AA702W	EVP-AA702W	B2	3.5	2.9	1.7	3.5N	0.15±0.1	.99	.799
667-EVP-AA802Q	EVP-AA802Q	B2	3.5	2.9	1.7	5.0N	0.15±0.1	.91	.703
667-EVP-AA902Q	EVP-AA902Q	B2	3.5	2.9	1.7	5.0N	0.15±0.1	.99	.799
667-EVP-ADK04K	EVP-ADK04K	C3	9.8	10.15	4.7	4N	1.0±0.15	1.72	1.32
667-EVP-AEBB2A	EVP-AEBB2A	D4	4.5	2.5	2.9	1.6N	0.15	1.08	.834
667-EVP-AF7B70	EVP-AF7B70	E5	3.0	2.6	0.7	2.4N	0.15	1.04	.799
667-EVP-AJAE1A	EVP-AJAE1A	F6	4.7	3.5	1.2	1.6N	0.15	1.72	1.32
667-EVP-ANAA1A	EVP-ANAA1A	G2	3.5	2.9	1.2	1.6N	0.2	.85	.655
667-EVP-ANDA1A	EVP-ANDA1A	G2	3.5	2.9	1.2	2.2N	0.2	.85	.655

## SMD LOW PROFILE TACTILE SWITCHES

PRODUCT NEW

For quantities greater than listed, call for quote.

MOUSER STOCK NO.	Panasonic Part No.	Fig.	Dimensions: mm			Operating Force	Travel (mm)	Price Each	
			L	W	H			1	25
667-EVQ-9P701K	EVQ-9P701K	H2	3.5	2.9	1.35	1.6N	0.2±0.05	.77	.591
667-EVQ-P40B3M	EVQ-P40B3M	H2	3.5	2.9	1.35	1.0N	0.25-	.98	.755
667-EVQ-P42B3M	EVQ-P42B3M	H2	4.7	3.5	3.00	1.6N	0.15+005-0.25-	.98	.755
667-EVQ-P44B3M	EVQ-P44B3M	H2	4.7	3.5	3.00	2.4N	0.15+005-	.98	.755
667-EVQ-P46B3M	EVQ-P46B3M	H2	4.7	3.5	3.00	3.5N	0.70±0.2	.98	.755
667-EVQ-6P6B40	EVQ-6P6B40	I7	4	4	0.43	1.6N	0.2	.33	.31
667-EVQ-P6DB35	EVQ-P6DB35	J7	4	4	0.35	1.6N	0.2	.35	.323
667-EVQ-P6LB55	EVQ-P6LB55	K7	4	4	0.58	1.6N	0.2	.37	.348
667-EVQ-9P6B40	EVQ-9P6B40	I7	4	4	0.43	2.4N	0.2	.41	.346
667-EVQ-P2402M	EVQ-P2402M	H2	4.7	3.5	2.1	2.4N	0.7	.60	.56
667-EVQ-P2402W	EVQ-P2402W	L7	4.7	3.5	2.5	2.4N	0.7	.60	.56
667-EVQ-P2602W	EVQ-P2602W	L7	4.7	3.5	2.5	3.5N	0.7	.81	.75
667-EVQ-P2H02B	EVQ-P2H02B	M7	4.7	3.5	2.5	2.5N	0.7	.90	.829
667-EVQ-P2K02Q	EVQ-P2K02Q	M7	4.7	3.5	2.5	3.5N	0.7	.60	.56
667-EVQ-P2T02W	EVQ-P2T02W	L4	4.7	3.5	2.5	2.4N	0.7	.90	.829
667-EVQ-P4HB3B	EVQ-P4HB3B	L2	4.7	3.5	3.00	2.5N	0.70±0.2	1.01	.774
667-EVQ-P4KB3Q	EVQ-P4KB3Q	L2	4.7	3.5	3.00	3.5N	0.70±0.2	1.01	.774
667-EVQ-P4MB3K	EVQ-P4MB3K	L2	4.7	3.5	3.00	5.0N	0.70±0.2±0.3	1.01	.774
667-EVQ-PLHA15	EVQ-PLHA15	N7	4.9	4.9	1.5	1.6N	0.25	.53	.44
667-EVQ-PLMA15	EVQ-PLMA15	N7	4.9	4.9	1.5	2.6N	0.25	.66	.56
667-EVQ-PE104K	EVQ-PE104K	O8	6	3.5	4.3	1.0N	0.25	.69	.56
667-EVQ-PNF04M	EVQ-PNF04M	O8	6	3.5	4.3	1.6N	0.25	.43	.34
667-EVQ-PON02B	EVQ-PON02B	P7	6	6	2.5	0.6N	0.25	.32	.296
667-EVQ-P0P02B	EVQ-P0P02B	P7	6	6	2.5	0.6N	0.25	.32	.296
667-EVQ-P0Q02Q	EVQ-P0Q02Q	P7	6	6	2.5	1.0N	0.25	.32	.296
667-EVQ-P0S02Q	EVQ-P0S02Q	P7	6	6	2.5	1.0N	0.25	.32	.296
667-EVQ-Q2B03W	EVQ-Q2B03W	Q7	6	6	3.1	0.5N	0.25	.24	.227
667-EVQ-Q2K03W	EVQ-Q2K03W	Q7	6	6	3.1	1.3N	0.25	.24	.227
667-EVQ-Q2P02W	EVQ-Q2P02W	Q7	6	6	2.5	1.6N	0.25	.24	.227
667-EVQ-Q2U03W	EVQ-Q2U03W	Q7	6	6	3.1	2.6N	0.25	.24	.227
667-EVQ-Q2Y03W	EVQ-Q2Y03W	Q7	6	6	3.1	3.5N	0.25	.24	.227
667-EVQ-P1D05M	EVQ-P1D05M	R7	6	6	5	2.5N	1.3	.61	.564
667-EVQ-P1K05M	EVQ-P1K05M	R7	6	6	5	2.2N	1.3	.86	.794
667-EVQ-9P105M	EVQ-9P105M	R7	6	6	5	3.5N	1.3	.76	.701
667-EVQ-PVW05K	EVQ-PVW05K	H2	6.0	6.1	5.00	3.5N	1.30-0.30	.61	.466
667-EVQ-PSH02K	EVQ-PSH02K	S7	6.1	4	1.8	2.2N	0.3	.40	.375

## THRU-HOLE TACTILE SWITCHES

For quantities greater than listed, call for quote.

MOUSER STOCK NO.	Panasonic Part No.	Fig.	Dimensions: mm			Operating Force	Travel (mm)	Price Each	
			L	W	H			1	25
667-EVQ-PAC04M	EVQ-PAC04M	T8	6	6	4.3	1.0N	0.25	.18	.168
667-EVQ-PAC07K	EVQ-PAC07K	T8	6	6	7	1.0N	0.25	.18	.168
667-EVQ-PAC09K	EVQ-PAC09K	T8	6	6	9.5	1.0N	0.25	.18	.168
667-EVQ-PAD04M	EVQ-PAD04M	T8	6	6	4.3	1.3N	0.25	.18	.168
667-EVQ-PAD05R	EVQ-PAD05R	T8	6	6	5	1.3N	0.25	.26	.243
667-EVQ-PAE04M	EVQ-PAE04M	T8	6	6	4.3	1.6N	0.25	.18	.168
667-EVQ-PAE05R	EVQ-PAE05R	T8	6	6	5	1.6N	0.25	.18	.173
667-EVQ-PAE09K	EVQ-PAE09K	T8	6	6	9.5	1.6N	0.25	.17	.16
667-EVQ-PBC04M	EVQ-PBC04M	T8	6	6	4.3	1.0N	0.25	.19	.174
667-EVQ-PBC05R	EVQ-PBC05R	T8	6	6	5	1.0N	0.25	.14	.13
667-EVQ-PBE05R	EVQ-PBE05R	T8	6	6	5	1.6N	0.25	.19	.183