

OMRON Tactile Switches

OMRON
ELECTRONIC COMPONENTS

B3 SERIES: MECHANICAL KEYSWITCHES (TACTILE)

This product is RoHS compliant.

Specifications:

- Contact form: SPST-NO
- Switching capacity: 50mA 24VDC (12VDC for B3SL/B3WN)
- * Full reel is 1000 * Full reel is 4000 † Full reel is 4200

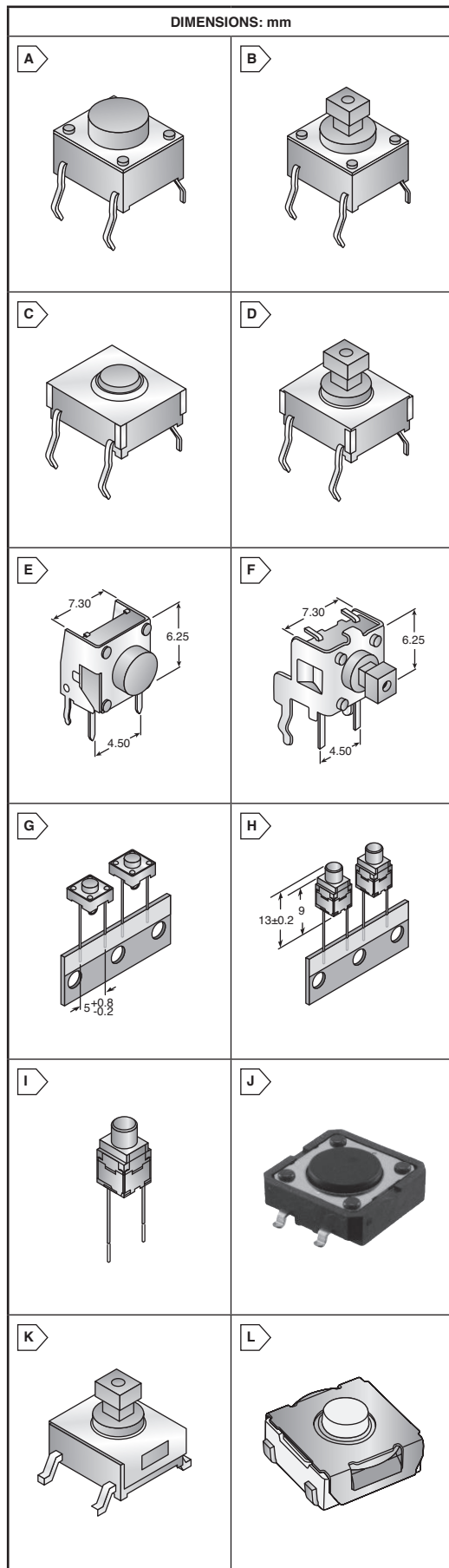
Features:

- Miniature, space-saving tactile switch provides easy mounting

NEW
PRODUCT

For quantities greater than listed, call for quote.

MOUSER STOCK NO.	Omron Part No.	Fig.	Size (mm)	Plunger	Switch Height (mm)	Operating Force (gF)	Ground Terminal	Price Each			
								1	25	50	100
Standard Type, Thru-Hole											
653-B3F-1006	B3F-1006	A	6x6	Flat	4.30	50	No	.65	.57	.51	.47
653-B3F-1000	B3F-1000	A	6x6	Flat	4.30	100	No	.23	.225	.217	.198
653-B3F-1100	B3F-1100	A	6x6	Flat	4.30	100	Yes	.35	.331	.298	.265
653-B3F-1002	B3F-1002	A	6x6	Flat	4.30	150	No	.29	.27	.24	.21
653-B3F-1102	B3F-1102	A	6x6	Flat	4.30	150	Yes	.33	.291	.259	.237
653-B3F-1005	B3F-1005	A	6x6	Flat	4.30	260	No	.33	.29	.26	.24
653-B3F-1020	B3F-1020	A	6x6	Flat	5.00	100	No	.34	.313	.272	.248
653-B3F-1120	B3F-1120	A	6x6	Flat	5.00	100	Yes	.34	.302	.274	.251
653-B3F-1022	B3F-1022	A	6x6	Flat	5.00	150	No	.30	.285	.264	.24
653-B3F-1122	B3F-1122	A	6x6	Flat	5.00	150	Yes	.36	.316	.281	.257
653-B3F-1025	B3F-1025	A	6x6	Flat	5.00	260	No	.39	.351	.304	.28
653-B3F-1060	B3F-1060	A	6x6	Flat	7.00	100	No	.39	.351	.316	.281
653-B3F-1062	B3F-1062	A	6x6	Flat	7.00	150	No	.53	.526	.503	.468
653-B3F-1070	B3F-1070	A	6x6	Flat	9.50	100	No	.26	.25	.24	.23
653-B3F-1072	B3F-1072	A	6x6	Flat	9.50	150	No	.53	.527	.503	.456
653-B3F-1050	B3F-1050	B	6x6	Projected	7.30	100	No	.29	.262	.246	.222
653-B3F-1150	B3F-1150	B	6x6	Projected	7.30	100	Yes	.38	.339	.304	.281
653-B3F-1052	B3F-1052	B	6x6	Projected	7.30	150	No	.32	.303	.28	.252
653-B3F-1152	B3F-1152	B	6x6	Projected	7.30	150	Yes	.39	.363	.327	.292
653-B3F-1055	B3F-1055	B	6x6	Projected	7.30	260	No	.42	.399	.357	.347
653-B3F-4000	B3F-4000	C	12x12	Flat	4.30	130	No	.40	.37	.34	.31
653-B3F-4005	B3F-4005	C	12x12	Flat	4.30	260	No	.42	.38	.33	.30
653-B3F-4105	B3F-4105	C	12x12	Flat	4.30	260	Yes	.64	.585	.515	.456
653-B3F-4050	B3F-4050	D	12x12	Projected	7.30	130	No	.38	.35	.32	.30
653-B3F-4150	B3F-4150	D	12x12	Projected	7.30	130	Yes	.51	.475	.432	.39
653-B3F-4055	B3F-4055	D	12x12	Projected	7.30	260	No	.44	.40	.36	.33
653-B3F-4155	B3F-4155	D	12x12	Projected	7.30	260	Yes	.58	.561	.538	.479
Vertical Type, Thru-Hole											
653-B3F-3100	B3F-3100	E	6x6	Flat	3.15	100	Yes	.43	.388	.345	.334
653-B3F-3102	B3F-3102	E	6x6	Flat	3.15	150	Yes	.43	.38	.34	.31
653-B3F-3105	B3F-3105	E	6x6	Flat	3.15	260	Yes	.51	.45	.42	.40
653-B3F-3120	B3F-3120	E	6x6	Flat	3.85	100	Yes	.36	.33	.29	.26
653-B3F-3122	B3F-3122	E	6x6	Flat	3.85	150	Yes	.34	.31	.28	.25
653-B3F-3125	B3F-3125	E	6x6	Flat	3.85	260	Yes	.67	.608	.538	.48
653-B3F-3150	B3F-3150	F	6x6	Projected	6.15	100	Yes	.34	.31	.28	.25
653-B3F-3152	B3F-3152	F	6x6	Projected	6.15	150	Yes	.35	.31	.28	.25
653-B3F-3155	B3F-3155	F	6x6	Projected	6.15	260	Yes	.48	.45	.407	.367
Gold-Plated, Thru-Hole											
653-B3F-1002-G	B3F-1002-G	A	6x6	Flat	4.30	180	No	2.98	2.67	2.38	2.13
653-B3F-1022-G	B3F-1022-G	A	6x6	Flat	5.00	180	No	2.80	2.52	2.24	2.01
Long Service Life, Thru-Hole											
653-B3F-5000	B3F-5000	C	12x12	Flat	4.30	130	No	.59	.526	.473	.431
653-B3F-5050	B3F-5050	C	12x12	Flat	7.30	130	No	.55	.52	.46	.41
653-B3F-5150	B3F-5150	D	12x12	Projected	7.30	130	No	.71	.644	.562	.515
High-Reliability, Gold-Plated Contact, Thru-Hole											
653-B3F-5001	B3F-5001	C	12x12	Flat	4.30	130	No	3.14	2.96	2.79	2.63
653-B3F-5051	B3F-5051	D	12x12	Projected	7.30	130	No	2.80	2.39	2.13	2.00
Taped Radial (Auto Insertion), Thru-Hole, Full Reel is 1000											
653-B3F-6000	B3F-6000	G	6x6	Flat	4.30	100	No	.28	.27	.24	.23
653-B3F-60023	B3F-60023	G	6x6	Flat	4.30	150	No	.44	.41	.40	.38
653-B3F-60223	B3F-60223	G	6x6	Flat	5.00	150	No	.40	.36	.318	.286
653-B3F-60503	B3F-60503	H	6x6	Projected	7.30	100	No	.42	.37	.33	.30
Sealed, Thru-Hole											
653-B3W-1000	B3W-1000	A	6x6	Flat	4.30	160	No	.45	.44	.43	.35
653-B3W-1002	B3W-1002	A	6x6	Flat	4.30	230	No	.46	.39	.34	.31
653-B3W-1050	B3W-1050	B	6x6	Projected	7.30	160	No	.71	.706	.693	.654
653-B3W-1052	B3W-1052	B	6x6	Projected	7.30	230	No	.50	.475	.41	.367
653-B3W-4000	B3W-4000	A	12x12	Flat	4.30	200	No	.51	.46	.41	.37
653-B3W-4100	B3W-4100	A	12x12	Flat	4.30	200	Yes	.63	.53	.47	.42
653-B3W-4005	B3W-4005	A	12x12	Flat	4.30	350	No	.51	.48	.47	.46
653-B3W-4050	B3W-4050	B	12x12	Projected	7.30	200	No	.65	.61	.54	.48
653-B3W-4055	B3W-4055	B	12x12	Projected	7.30	350	No	.56	.50	.45	.40
653-B3W-4155	B3W-4155	B	12x12	Projected	7.30	350	Yes	.73	.647	.583	.518
Double-Sealed, Thru-Hole											
653-B3WN-6002	B3WN-6002	I	8x8	Projected	13.00	200	No	.49	.44	.39	.35
Standard Type, SMD											
653-B3FS-1000	B3FS-1000	J	6x6	Flat	3.10	100	No	.49	.475	.453	.421
653-B3FS-1002	B3FS-1002	J	6x6	Flat	3.10	150	No	.67	.66	.658	.642
653-B3FS-1010	B3FS-1010	J	6x6	Flat	4.30	100	No	.54	.48	.43	.41
653-B3FS-1012	B3FS-1012	J	6x6	Flat	4.30	150	No	.58	.529	.464	.421
653-B3FS-1050	B3FS-1050	K	6x6	Projected	7.30	100	No	1.96	1.76	1.56	1.41
653-B3FS-1052	B3FS-1052	K	6x6	Projected	7.30	150	No	2.00	1.80	1.60	1.44
Standard Type, SMD, Embossed Tape Packaging, Full Reel is 3000											
653-B3FS-1000P	B3FS-1000P	J	6x6	Flat	3.10	100	No	.41	.37	.338	.304
653-B3FS-1002P	B3FS-1002P	J	6x6	Flat	3.10	150	No	.55	.496	.432	.388
653-B3FS-4002P	B3FS-4002P	J	12x12	Flat	4.30	150	No	1.36	1.08	1.02	.978
For High-Density Packaging, SMD											
653-B3S-1000	B3S-1000	J	6x6	Flat	4.30	160	No	.51	.46	.41	.37
653-B3S-1100	B3S-1100	J	6x6	Flat	4.30	160	Yes	.69	.62	.55	.49
653-B3S-1002	B3S-1002	J	6x6	Flat	4.30	230	No	.51	.46	.40	.36
653-B3S-1102	B3S-1102	J	6x6	Flat	4.30	230	Yes	.70	.632	.562	.527
For High-Density Packaging, SMD, Embossed Tape Packaging, Full Reel is 3000											
* 653-B3S-1000P	B3S-1000P	J	6x6	Flat	4.30	160	No	.45	.42	.40	.385
* 653-B3S-1100P	B3S-1100P	J	6x6	Flat	4.30	160	Yes	.59	.53	.47	.42
* 653-B3S-1002P	B3S-1002P	J	6x6	Flat	4.30	230	No	.55	.49	.47	.45
* 653-B3S-1102P	B3S-1102P	J	6x6	Flat	4.30	230	Yes	.67	.59	.52	.49
Sealed, SMD											
653-B3SN-3012	B3SN-3012	L	6x6	Flat	3.10	160	No	.84	.793	.76	.726
653-B3SN-3112	B3SN-3112	L	6x6	Flat	3.10	160	Yes	1.00	.971	.917	.874
Sealed, SMD, Embossed Tape Packaging, Full Reel is 3000											
653-B3SN-3012P	B3SN-3012P	L	6x6	Flat	3.10	160	No	.75	.68	.604	.54
653-B3SN-3112P	B3SN-3112P	L	6x6	Flat	3.10	160	Yes	.62	.594	.561	.54
* 653-B3SL-1002P	B3SL-1002P	L	6x6	Flat	3.40	200	No	.70	.624	.497	.455
† 653-B3SL-1022P	B3SL-1022P	L	6x6	Flat	5.10	200	No	.65	.581	.581	.525



Omron Tactile Switches