

Tactile Switches and Key Caps

RoHS Compliant This product is RoHS compliant.

APREM SEALED TACTILE SWITCHES

- Dielectric withstanding voltage: 250VAC
- Contact Resistance: 100mΩ Max.
- Contact Form: SPST-NO
- Operating Force: 160g

For quantities greater than listed, call for quote.

MOUSER STOCK NO.	Apem Part No.	Fig.	Termination Type	Height (mm)	Price Each			
					1	25	100	500
642-MJTP1119	MJTP1119	A	Thru-hole	5	.58	.54	.50	.48
642-MJTP1129	MJTP1129	B	Thru-hole	4.35	.63	.62	.58	.55
642-MJTPSJW69N	MJTPSJW69N	C	SMT	3.7	.84	.733	.542	.468
642-MJTPSJW66N	MJTPSJW66N	D	SMT	3.1	.56	.53	.505	.474
642-MJTPSMW	MJTPSMW	E	SMT	3.1	.55	.52	.49	.46
642-MJTPSHW	MJTPSHW	F	Thru-hole	3.1	.56	.53	.505	.474
642-MJTPSHWA	MJTPSHWA	F	Thru-hole	2.3	.57	.556	.524	.492
642-MJTPSHWB	MJTPSHWB	F	Thru-hole	3.7	.62	.57	.536	.494

CHERRY TACTILE KEYSWITCHES

- Switching Current: 10mA AC/DC max. 10µA DC min.
- Standard force
- Switching Voltage: 12VAC/DC

For quantities greater than listed, call for quote.

MOUSER STOCK NO.	Cherry Part No.	Fig.	Description	Actuator Travel (mm)	Price Each		
					1	25	100
540-ML1A-11JW	ML1A-11JW	G	Tactile, pcb mount, integrated jumper wire	3.0-0.5	1.55	1.24	1.09
540-MX1A-C1NN	MX1A-C1NN	H	Soft tactile, face plate mount	4.0-0.4	1.08	.93	.86
540-MX1A-E1NN	MX1A-E1NN	H	Click tactile, face plate mount	4.0-0.4	1.01	.93	.86
540-MX1A-C1NW	MX1A-C1NW	H	Soft tactile, pcb mount	4.0-0.4	1.01	.93	.86
540-MX1A-E1NW	MX1A-E1NW	H	Click tactile, pcb mount	4.0-0.4	.83	.77	.709
540-MX1A-11NN	MX1A-11NN	H	Linear, face plate mount	4.0-0.4	1.50	1.15	.98
540-MX1A-11NW	MX1A-11NW	H	Linear, pcb mount	4.0-0.4	.98	.75	.641

OMRON B3AL SERIES: LONG-STROKE TACTILE SWITCHES

ELECTRONIC COMPONENTS

Specifications:

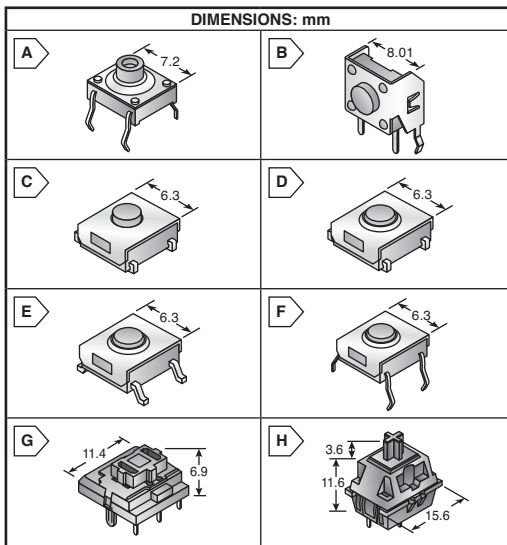
- Contact form: SPST-NO
- Switching capacity: 1-50mA @ 5-16VDC (resistive load)
- Dielectric strength: 20VAC, 50/60Hz for 1 min.

Features:

- Miniature, space-saving tactile switch provides long service life and easy mounting
- Ideal for applications such as audio and measuring instruments

For quantities greater than listed, call for quote.

MOUSER STOCK NO.	Omron Part No.	Operating Force (N)	Releasing Force (N Min.)	Color of Button	Price Each		
					1	25	50
653-B3AL-1000P	B3AL-1000P	1.96	0.24	Red	2.10	1.79	1.59
653-B3AL-1001P	B3AL-1001P	2.45	0.49	Green	2.10	1.79	1.59
653-B3AL-1002P	B3AL-1002P	3.00	0.60	Black	2.10	1.79	1.59
653-B3AL-1003P	B3AL-1003P	3.50	0.70	White (milky white)	2.10	1.79	1.59



OMRON B3U SERIES: ULTRA-SMALL TACTILE SWITCHES

ELECTRONIC COMPONENTS

Specifications:

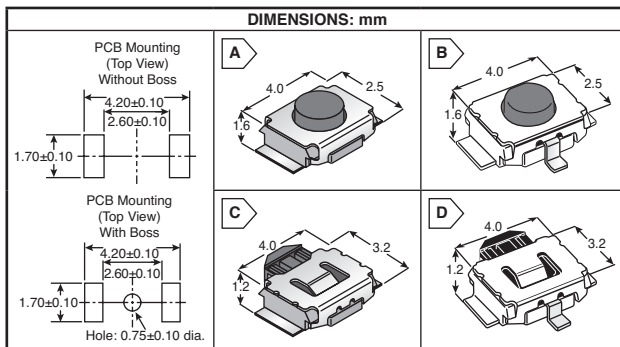
- Contact form: SPST-NO
- Switching capacity: 1-50mA @ 5-12VDC (resistive load)
- Contact resistance: 100mΩ min. (@ 100VDC)

Features:

- Dust-proof construction provides high reliability in dusty environments
- Ideal for high-density mounting

For quantities greater than listed, call for quote.

MOUSER STOCK NO.	Omron Part No.	Fig.	O.F.	Ground Terminal	Actuation	Locating Pin	Price Each			
							1	25	50	100
653-B3U-1000P	B3U-1000P	A	153g	No	Top	Without boss	.90	.80	.71	.64
653-B3U-1000P-B	B3U-1000P-B	A	153g	No	Top	With boss	.77	.702	.615	.55
653-B3U-1100P	B3U-1100P	B	153g	Yes	Top	Without boss	.90	.80	.71	.64
653-B3U-1100P-B	B3U-1100P-B	B	153g	Yes	Top	With boss	.73	.66	.591	.527
653-B3U-3000P	B3U-3000P	C	162g	No	Side	Without boss	.90	.80	.71	.64
653-B3U-3000P-B	B3U-3000P-B	C	162g	No	Side	With boss	1.60	1.44	1.28	1.16
653-B3U-3100P	B3U-3100P	D	162g	Yes	Side	Without boss	.73	.66	.591	.527
653-B3U-3100P-B	B3U-3100P-B	D	162g	Yes	Side	With boss	.95	.84	.749	.675



OMRON B32 SERIES: KEY CAPS FOR MECHANICAL KEYSWITCHES

ELECTRONIC COMPONENTS

- Key top designed specially for projected-plunger type B3F, B3FS, and B3W switches

For quantities greater than listed, call for quote.

MOUSER STOCK NO.	Omron Part No.	For Use With	Size (mm)	Color	Price Each				Full Reel Quantity	Reel Qty. Price Each
					1	25	50	100		
653-B32-1000	B32-1000	6mm Keyswitches	4 x 4	Light gray	.24	.22	.21	.19	2,000	.15
653-B32-1010	B32-1010	6mm Keyswitches	4 x 4	Black	.24	.235	.212	.201	2,000	.167
653-B32-1020	B32-1020	6mm Keyswitches	4 x 4	Orange	.29	.26	.23	.20	1,000	.16
653-B32-1030	B32-1030	6mm Keyswitches	4 x 4	Yellow	.25	.23	.21	.20	2,000	.16
653-B32-1040	B32-1040	6mm Keyswitches	4 x 4	Blue	.25	.226	.214	.202	2,000	.161
653-B32-1050	B32-1050	6mm Keyswitches	4 x 4	Green	.22	.21	.19	.18	1,000	.16
653-B32-1060	B32-1060	6mm Keyswitches	4 x 4	White	.25	.22	.21	.19	2,000	.15
653-B32-1080	B32-1080	6mm Keyswitches	4 x 4	Red	.25	.22	.20	.19	2,000	.15
653-B32-2010	B32-2010	6mm Keyswitches	6 dia.	Black	.78	.70	.66	.62	1,000	.44
653-B32-1200	B32-1200	12mm Keyswitches	9 x 9	Light gray	.23	.222	.201	.19	2,000	.158
653-B32-1210	B32-1210	12mm Keyswitches	9 x 9	Black	.22	.21	.19	.18	2,000	.15
653-B32-1230	B32-1230	12mm Keyswitches	9 x 9	Yellow	.26	.23	.21	.19	2,000	.16
653-B32-1240	B32-1240	12mm Keyswitches	9 x 9	Blue	.24	.22	.21	.19	2,000	.15
653-B32-1260	B32-1260	12mm Keyswitches	9 x 9	White	.25	.23	.22	.20	2,000	.16
653-B32-1270	B32-1270	12mm Keyswitches	9 x 9	Light green	.27	.24	.22	.20	1,000	.16
653-B32-1280	B32-1280	12mm Keyswitches	9 x 9	Red	.29	.256	.23	.204	2,000	.161
653-B32-1300	B32-1300	12mm Keyswitches	12 x 12	Light gray	.25	.22	.20	.19	2,000	.15
653-B32-1310	B32-1310	12mm Keyswitches	12 x 12	Black	.25	.22	.20	.19	2,000	.15
653-B32-1320	B32-1320	12mm Keyswitches	12 x 12	Orange	.29	.26	.23	.20	1,000	.16
653-B32-1340	B32-1340	12mm Keyswitches	12 x 12	Blue	.25	.23	.22	.20	2,000	.16
653-B32-1350	B32-1350	12mm Keyswitches	12 x 12	Green	.29	.26	.23	.20	1,000	.16
653-B32-1360	B32-1360	12mm Keyswitches	12 x 12	White	.25	.23	.22	.20	2,000	.15
653-B32-1380	B32-1380	12mm Keyswitches	12 x 12	Red	.25	.228	.214	.194	2,000	.161
653-B32-1600	B32-1600	12mm Keyswitches	9.5 dia.	Light gray	.40	.358	.337	.316	1,000	.232
653-B32-1610	B32-1610	12mm Keyswitches	9.5 dia.	Black	.39	.316	.284	.263	2,000	.232
653-B32-1620	B32-1620	12mm Keyswitches	9.5 dia.	Orange	.37	.30	.27	.25	1,000	.23
653-B32-1630	B32-1630	12mm Keyswitches	9.5 dia.	Yellow	.38	.32	.28	.26	2,000	.23