

HONEYWELL Basic Switches

RoHS Compliant This product is RoHS compliant.

Honeywell

PREMIUM LARGE BASIC SWITCHES

The switch is on. Simple, superior, durable, and irreplaceable even by 21st-century standards, the MICRO SWITCH™ technology cycles on. Today, Honeywell Sensing and Control (S&C) manufactures millions of MICRO SWITCH™ basic switches annually for water and irrigation, aerospace and defense, industrial, off-highway, and medical applications. They are globally compliant, and known worldwide for their compact and lightweight design, accurate repeatability, and extended life.

Looking for enhanced accuracy and repeatability? Our premium line of MICRO SWITCH™ Large and Subminiature switches were designed for high-precision applications. Originally developed to support United States aircraft in World War II, advancements in packaging and operating controls have helped further expand applications over the past 75 years while maintaining enhanced and repeatability.

Features:

- Contact Form: SPDT
- Termination Style: Screw

Potential Applications:

- Irrigation systems
- Semi-trailer trucks
- Timing devices
- Office equipment
- Test instruments
- Medical/dental equipment
- HVAC equipment
- Manually operated devices
- Valves

* Termination Style: Solder

** Environmentally Sealed

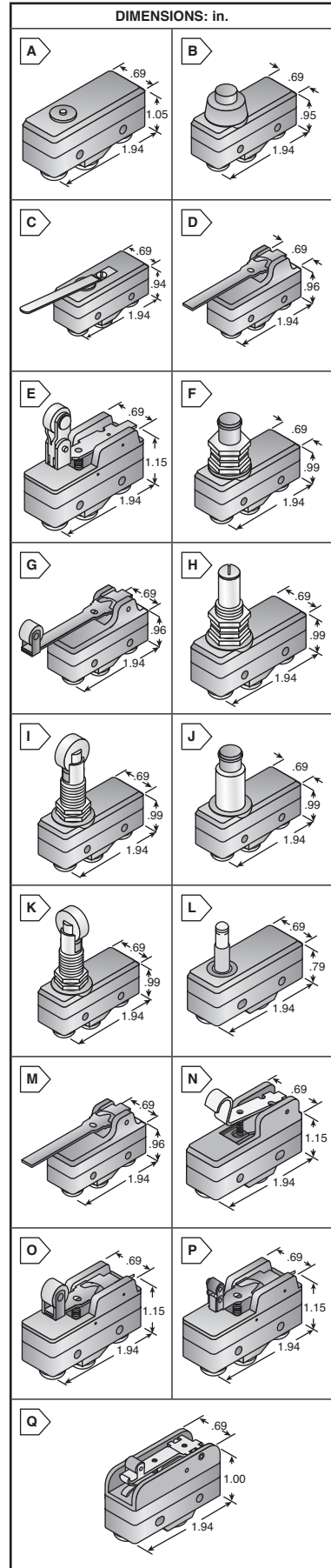
*** DEMKO



E12252

For quantities greater than listed, call for quote.

MOUSER STOCK NO.	Honeywell Part No.	Fig.	Voltage	Actuator Type	Op. Force (max.)	Price Each		
						1	10	50
785-BA-2R-A2	BA-2R-A2	A	20A@480 VAC	Pin Plunger	14-22 N	10.59	9.68	8.77
785-BA-2R708-P7	BA-2R708-P7	A	250 VAC	Pin Plunger	3.89 N	35.45	27.36	23.67
* 785-BZ-2R	BZ-2R	A	250 VAC	Pin Plunger	3.61 N	8.28	7.09	6.43
785-BZ-2R-A2	BZ-2R-A2	A	125 VAC	Pin Plunger	3.61 N	7.93	7.52	6.82
785-BZ-2R-P4	BZ-2R-P4	A	250 VAC	Pin Plunger	3.61 N	9.11	7.55	6.84
785-BZ-3YT	BZ-3YT	A	115 VAC	Pin Plunger	7.23 N	31.64	28.68	26.26
785-BZ-R21-A2	BZ-R21-A2	A	125 VAC	Pin Plunger	1.11 N	14.15	11.35	9.99
785-BA-2RB-A2	BA-2RB-A2	B	20A@480 VAC	Overtravel Plunger	14-22 N	10.20	9.42	8.50
785-BZ-2RD-A2	BZ-2RD-A2	B	250 VAC	Overtravel Plunger	3.61 N	11.04	10.47	9.49
785-BZ-2RL-A2	BZ-2RL-A2	C	15A@480 VAC	Straight Lever 1.95"	5 N	11.90	11.29	10.23
785-BZ-2RW805551-A2	BZ-2RW805551-A2	C	250 VAC	Straight Lever	0.7 N	18.96	17.06	16.10
785-BZ-2RW8244-A2	BZ-2RW8244-A2	C	125 VAC	Straight Lever	0.7 N	13.13	12.46	11.28
* 785-BZ-2RW84	BZ-2RW84	C	250 VAC	Straight Lever	0.28 N	15.22	14.07	12.43
785-BZ-2RW84-A2	BZ-2RW84-A2	C	125 VAC	Straight Lever, 2.5"	0.28 N	10.39	9.53	8.64
785-BZ-2RW863-A2	BZ-2RW863-A2	C	125 VAC	Straight Lever, .6"	0.28 N	10.00	9.48	8.60
785-BZ-2RW899-A2	BZ-2RW899-A2	C	125 VAC	Straight Lever	0.7 N	13.06	12.06	10.88
785-BZ-RW8435-A2	BZ-RW8435-A2	C	125 VAC	Straight Lever	7gf	17.33	16.33	13.91
785-BA-2RV-A2	BA-2RV-A2	D	20A@480 VAC	Straight Lever 2.5"	2.5 N	11.98	11.14	10.10
785-BA-2RV22-A2	BA-2RV22-A2	E	20A@480 VAC	Roller Lever 1.05"	6 N	14.72	13.49	12.22
* 785-BZ-2RL2	BZ-2RL2	E	250 VAC	Roller Lever	1.39 N	19.05	17.94	16.79
785-BZ-2RL2-A2	BZ-2RL2-A2	E	125 VAC	Roller Lever	1.39 N	13.83	13.11	11.88
785-BZ-2RQ181-A2	BZ-2RQ181-A2	E	125 VAC	Overtravel Roller Plgr, Perp.	3.61 N	28.09	26.64	24.14
* 785-BZ-2RW82	BZ-2RW82	E	250 VAC	Roller Lever	0.97 N	13.65	11.32	10.02
785-BZ-2RW82-A2	BZ-2RW82-A2	E	125 VAC	Roller Lever	0.97 N	12.65	11.55	10.47
* 785-BZ-2RW822	BZ-2RW822	E	250 VAC	Roller Lever	1.67 N	12.71	11.61	10.53
785-BZ-2RW822-A2	BZ-2RW822-A2	E	125 VAC	Roller Lever	1.67 N	10.95	10.00	9.07
785-BZ-2RW822-P4	BZ-2RW822-P4	E	15A@250 VAC	Roller Lever 1.05"	6 N	13.10	12.55	11.59
** 785-BZ-2RW822551-A2	BZ-2RW822551-A2	E	250 VAC	Roller Lever	1.67 N	11.06	10.49	9.51
785-BZ-2RW82299-A2	BZ-2RW82299-A2	E	250 VAC	Roller Lever, 1.02mm OT	1.67 N	17.81	16.94	15.90
785-BZ-2RW822T	BZ-2RW822T	E	250 VAC	Roller Lever, 2.39mm OT	1.67 N	14.87	12.80	12.08
785-BZ-2RW825551-A2	BZ-2RW825551-A2	E	125 VAC	Roller Lever, 3.96mm OT	0.97 N	17.46	16.56	15.01
785-BZ-2RW826-A2	BZ-2RW826-A2	E	15A@480 VAC	Roller Lever 1.26"	6 N	25.51	24.15	22.81
785-BZ-2RW8299-A2	BZ-2RW8299-A2	E	125 VAC	Roller Lever, 2.16mm OT	0.97 N	22.89	21.55	20.18
785-BA-2RQ1-A2	BA-2RQ1-A2	F	20A@480 VAC	Panel Mt. Overtravel Plunger	14-22 N	16.82	15.37	13.92
785-BA-2RV2-A2	BA-2RV2-A2	G	20A@250 VAC	Roller Lever 2.5"	3.5 N	16.29	14.89	13.48
* 785-BZ-2RD	BZ-2RD	H	250 VAC	Overtravel Plunger	3.61 N	10.23	9.70	8.78
785-BZ-2RDS-A2-S	BZ-2RDS-A2-S	B	250 VAC	Overtravel Plunger	5.28 N	21.98	20.84	18.89
* 785-BZ-2RN702	BZ-2RN702	H	125 VAC	Overtravel Plunger	3.61 N	25.42	24.10	21.85
* 785-BZ-2RQ1	BZ-2RQ1	H	250 VAC	Overtravel Plunger	3.61 N	17.99	16.75	15.18
785-BZ-2RQ1-A2	BZ-2RQ1-A2	H	15A@125 VAC	Overtravel Plunger	3.61 N	10.85	9.90	8.98
785-BZ-2RQ1872-A2	BZ-2RQ1872-A2	H	1A@125 VAC	Overtravel Plunger	3.61 N	36.97	34.83	32.59
785-BZ-2RQ1T	BZ-2RQ1T	H	250 VAC	Overtravel Plunger, 5.56mm OT	3.61 N	18.27	17.33	15.71
*** 785-BZ-2RQ66	BZ-2RQ66	H	250 VAC	Overtravel Plunger	3.61 N	19.60	16.23	14.39
785-BZ-2RQ68	BZ-2RQ68	H	250 VAC	Overtravel Plunger, 3.18mm OT	3.61 N	24.17	22.92	20.66
785-BZ-2RQ69	BZ-2RQ69	H	250 VAC	Overtravel Plunger, 3.56mm OT	3.61 N	47.62	44.10	41.68
*** 785-BZ-2RQ77	BZ-2RQ77	H	250 VAC	Overtravel Plunger, 3.56mm OT	3.61 N	31.75	25.52	22.41
785-BZ-2RQ784	BZ-2RQ784	H	250 VAC	Overtravel Plunger	3.61 N	39.78	35.79	33.82
785-BZ-3RQ1-A2	BZ-3RQ1-A2	H	250 VAC	Overtravel Plunger	5.56 N	17.74	16.19	14.67
* 785-BZ-2RQ18	BZ-2RQ18	I	250 VAC	Overtravel Plunger	3.61 N	39.24	36.97	34.61
785-BZ-2RQ18-A2	BZ-2RQ18-A2	I	125 VAC	Overtravel Roller Plunger	3.61 N	25.63	24.31	22.03
785-BZ-2RQ18T	BZ-2RQ18T	I	250 VAC	Overtravel Plunger	3.61 N	36.99	34.85	32.61
785-BZ-2RQ-A2	BZ-2RQ-A2	J	125 VAC	Overtravel Plunger	3.61 N	23.75	21.36	17.75
785-BZ-2RQ785	BZ-2RQ785	K	250 VAC	Overtravel Plunger	3.61 N	31.68	30.03	27.23
* 785-BZ-2RS	BZ-2RS	L	250 VAC	Overtravel Plunger	3.61 N	13.89	11.51	10.20
785-BZ-2RS-A2	BZ-2RS-A2	L	125 VAC	Overtravel Plunger	3.61 N	12.04	11.01	9.97
785-BZ-2RW80-A2	BZ-2RW80-A2	M	15A@480 VAC	Straight Lever 2.5"	2.5 N	9.37	8.88	8.05
785-BZ-2RW80147-A2	BZ-2RW80147-A2	N	125 VAC	Straight Lever	1.67 N	12.61	11.96	10.84
785-BZ-2RW82255-A2-S	BZ-2RW82255-A2-S	O	15A@480 VAC	Roller Lever 1.05"	6 N	24.46	23.19	21.01
785-BZ-2RW825-A2	BZ-2RW825-A2	P	15A@480 VAC	Roller Lever 0.868"	8 N	22.27	20.61	18.19
785-BZ-RW922-A2	BZ-RW922-A2	Q	10A@125 VAC	Roller Lever 1.25"	12 N	57.30	54.20	52.50



Basic/Snap Switches Honeywell